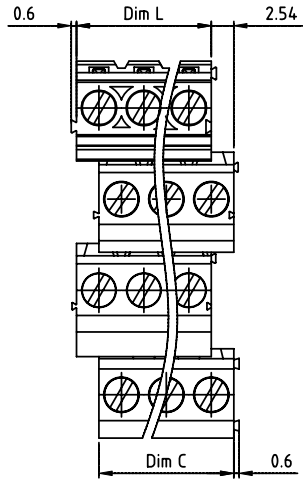


PRODUCT NUMBER	PITCH
YTxx21x000J0G	5.08 mm



DIMENSION

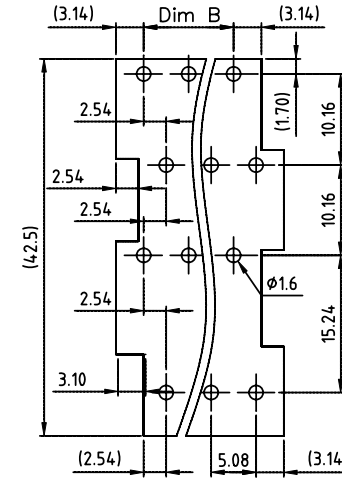
Dim L	N/4x5.08
Dim B	(N/4-1)x5.08
Dim C	N/4x5.08

N=Number of poles

Poles	Tolerance
8poles~24poles	±0.15
28poles~48poles	±0.25
52poles~72poles	±0.35
76poles~96poles	±0.40

PART NO.: YT xx 21 x 0 00J0 G

End stackable	Color	RoHS compliant
No. of poles	0 Black (RAL9005)	(lead<4%)
08 4x2 poles	2 Red (RAL3001/D)	In copper Alloy
12 4x3 poles	3 Orange(RAL2011/P)	
...	4 Yellow(RAL1018/A)	
...	5 Green(RAL6018/T)	
96 4x24 poles	6 Blue (RAL5015/A)	
	8 Grey(RAL7035/D)	
	9 White(RAL1102)	
	C Green(RAL6018/U)	



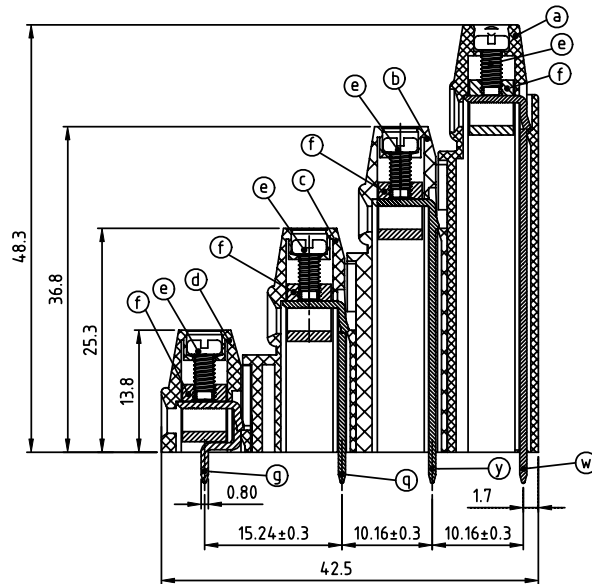
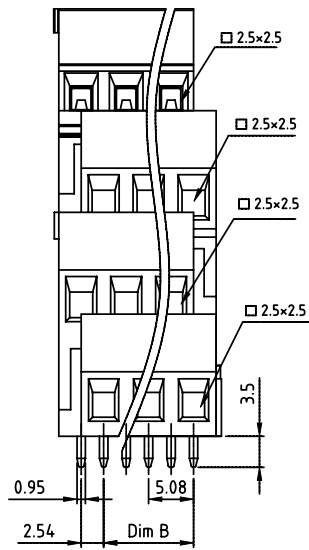
RECOMMENDED P.C.B. LAYOUT
TOP VIEW

Material:

- Item Ⓐ Terminal housing : Thermoplastic (UL94V-0)(YR5.08)
- Item Ⓑ Terminal housing : Thermoplastic (UL94V-0)(YF5.08)
- Item Ⓒ Terminal housing : Thermoplastic (UL94V-0)(YE5.08)
- Item Ⓓ Terminal housing : Thermoplastic (UL94V-0)(YD5.08)
- Item Ⓔ Terminal screw: Steel Zinc plating "-" slot type
- Item Ⓣ Clamp : Brass , Ni plating
- Item Ⓢ Solder pin1 : Brass, Tin plated
- Item Ⓡ Solder pin2 : Brass, Tin plated
- Item Ⓠ Solder pin3 : Brass, Tin plated
- Item Ⓟ Solder pin4 : Brass, Tin plated

Electrical cULus

- Voltage rating: 300VAC
- Current rating: 10A
- Wire range:
- Solid wire(AWG): 12-24
- Stranded wire(AWG): 12-24
- Torque(Lb-In): 3.5
- Screw: M2.5
- Wire strip length: 6-7mm
- Withstanding Voltage: 1.6KV
- Operating temperature: -40°C to +115°C
- Soldering temperature: 260°C±5°C/5 Sec
- Safety Approval:



mat'l. code		surface ASME Y14.5	tolerance ASME Y14.5	projection 	product family TERMINAL BLOCK
ltr	ecn no	dr	date	MM	title TERMINAL BLOCK
tolerances unless otherwise specified					
angles		X.±0.5		scale	RISING CLAMP,180D WIRE INLET,END STACKABLE
X°±1'		X.X±0.3			
dr		EVIN ZHONG	041114		dwg no
enr		EVIN ZHONG	041114		sheet 1 of 1
chr		HANKE FENG	041114		size
appd		SHI JUN	041114		A4
sheet index	revision	A			type CUSTOMER Drawing