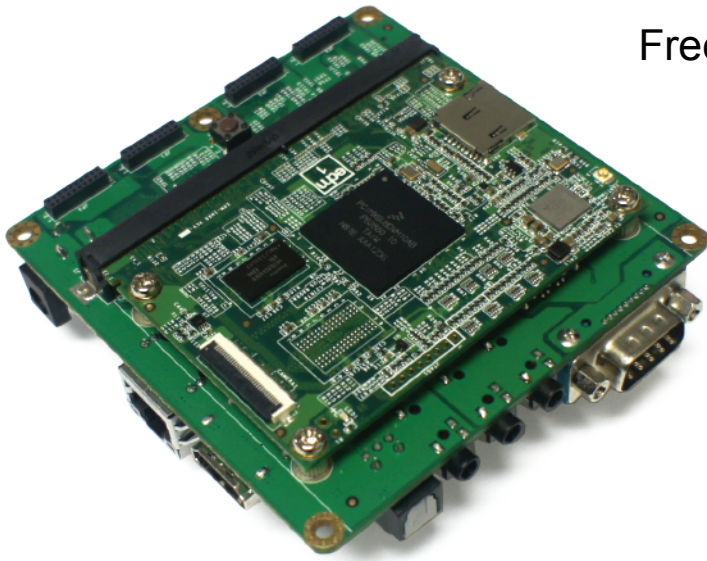


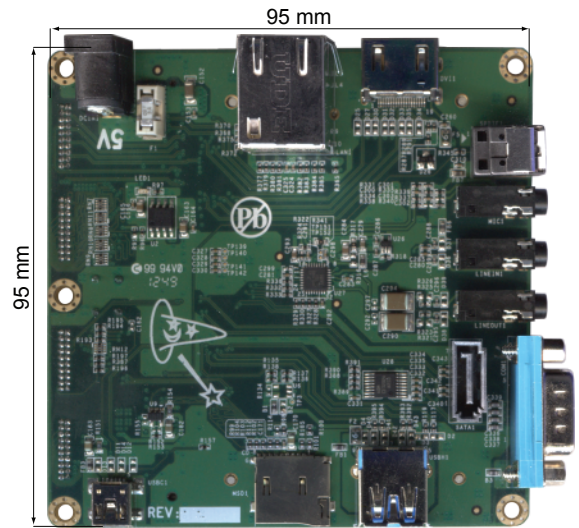
# WANDBOARD.ORG



## Freescale i.MX6 Cortex-A9

### Low cost open source community Development Board

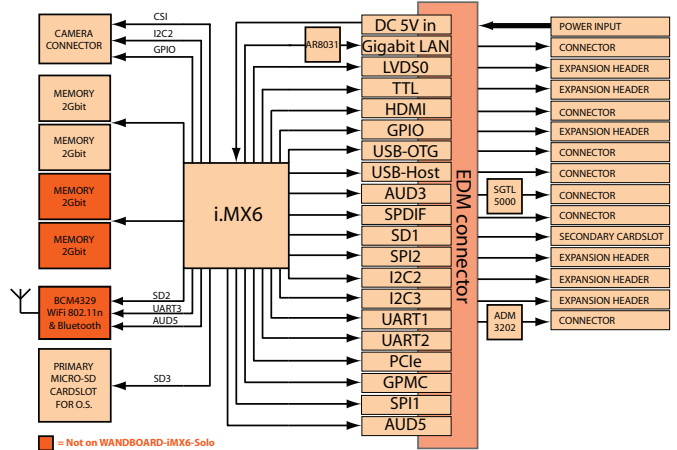
## Dimensional drawing



## Specifications

	Wandboard Solo	Wandboard Dual	Wandboard Quad
<b>Processor</b>	i.MX6 Solo	i.MX6 DualLite	i.MX6 Quad
<b>Cores</b>	ARM Cortex-A9 Single core @ 1GHz	ARM Cortex-A9 Dual core @ 1GHz	ARM Cortex-A9 Quad core @ 1GHz
<b>Memory</b>	512 MB DDR3	1 GB DDR3	2 GB DDR3
<b>Audio</b>	✓	✓	✓
<b>Optical S/PDIF</b>	✓	✓	✓
<b>HDMI</b>	✓	✓	✓
<b>Camera interface</b>	✓	✓	✓
<b>micro SD cardslot</b>	2	2	2
<b>Serial port</b>	✓	✓	✓
<b>Expansion Header</b>	✓	✓	✓
<b>USB</b>	✓	✓	✓
<b>USB OTG</b>	✓	✓	✓
<b>SATA connector</b>	X	X	✓
<b>Gigabit LAN</b>	✓	✓	✓
<b>WIFI (802.11n)</b>	X	✓	✓
<b>Bluetooth</b>	X	✓	✓

## Block diagram



## Order information

wbsolo  
 wbdual  
 wbquad  
 wbenclosure  
 wbantennakit

Wandboard i.MX6 Solo  
 Wandboard i.MX6 DualLite  
 Wandboard i.MX6 Quad  
 Wandboard enclosure  
 Wandboard antenna kit



Complete Schematics, Source Code and Documentation can be found on [www.wandboard.org](http://www.wandboard.org)