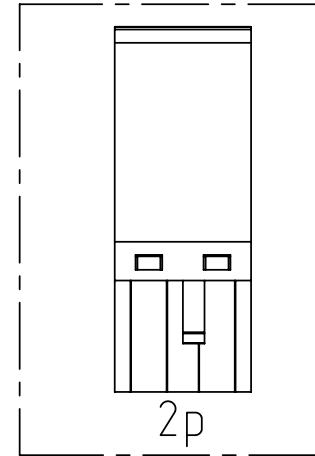
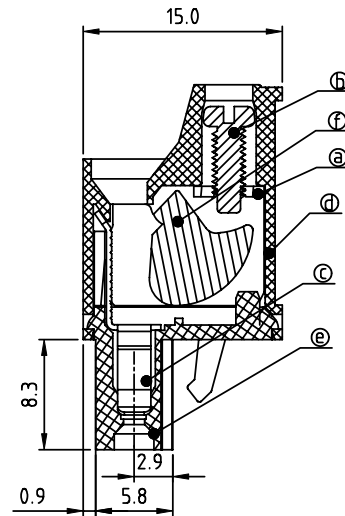
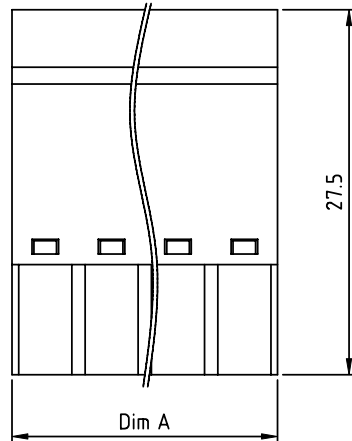
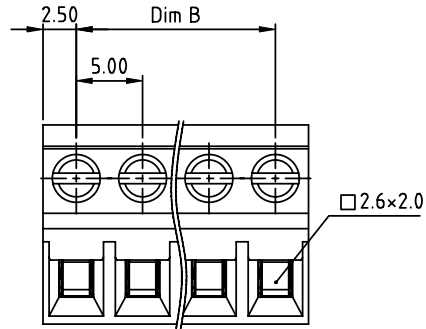


PRODUCT NUMBER	PITCH
VMxx75x000J0G	5.00 mm



Material:

- Item (a) Clamp: Steel zinc plated.
- Item (b) Terminal screw: Steel Zinc plating "-" slot type
- Item (c) Female contact: High conductivity copper Tin plated
- Item (d) Terminal (top body): Thermoplastic (UL94V-0)
- Item (e) Terminal (bottom body): Thermoplastic (UL94V-0)
- Item (f) Clampage: Steel Zinc plated

Electrical cULus/TUV

- Voltage rating: 300VAC/300VAC
- Current rating: 20A/20A
- Wire range: 0.34-2.5mm²
- Solid wire(AWG): 12-22
- Stranded wire(AWG): 12-22
- Torque: 3.5Lb-In / 0.4Nm
- Screw: M2.5
- Wire strip length: 8-9mm
- Withstanding Voltage: 1.6KV/2.5KV
- Operating temperature: -40°C to +115°C
- Safety approval:

PART NO.: VM xx 75 x 0 00J 0 G

N=NUMBER OF POLES

Dim A=(N-1)×5.00+5.00
Dim B=(N-1)×5.00

POLES	Tolerance
2P-6P	±0.20
7P-12P	±0.25
13P-18P	±0.30
19P-24P	±0.40

Solid block	No. of poles	Color	RoHS compliant (lead<4%) In copper Alloy
0	2	Black (RAL9005)	
02	2 poles	Red (RAL3001/D)	
03	3 poles	Orange(RAL2011/P)	
4	4	Yellow(RAL1018/A)	
5	5	Green(RAL6018/T)	
6	6	Blue (RAL5015/A)	
8	8	Grey(RAL7035/D)	
9	9	White(RAL1102)	
C	24 poles	Green(RAL6018/U)	

mat'l. code		surface ASME Y14.5	tolerance ASME Y14.5	projection	product family
ltr ecn no dr date		tolerances unless otherwise specified			TERMINAL BLOCK
		angles	X.±0.5	MM	title
		X*±1"	X.X±0.3	scale	TERMINAL BLOCK
		dr	EVIN ZHONG 042114		PLUGGABLE PLUG,WITHOUT FLANGE
		enrg	EVIN ZHONG 042114		dwg no
		chr	HANKE FENG 042114		sheet 1 of 1
		appd	SHI JUN 042114		size
sheet index	revision sheet	A	1		VMxx75x000J0G A4
					type
					CUSTOMER Drawing