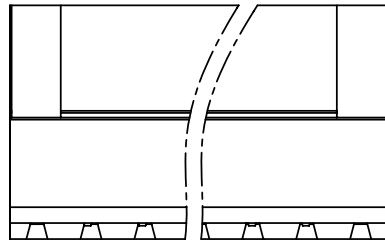
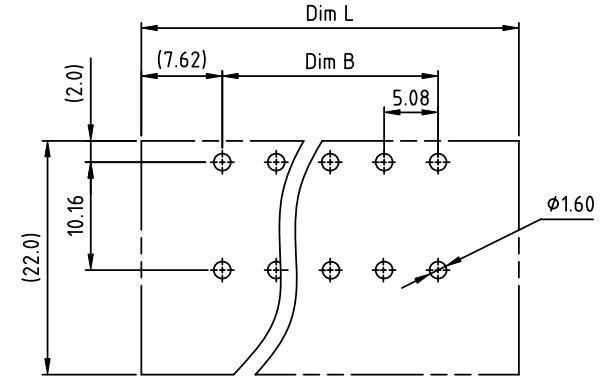


PRODUCT NUMBER	PITCH
VLxx52x100J0G	5.08 mm

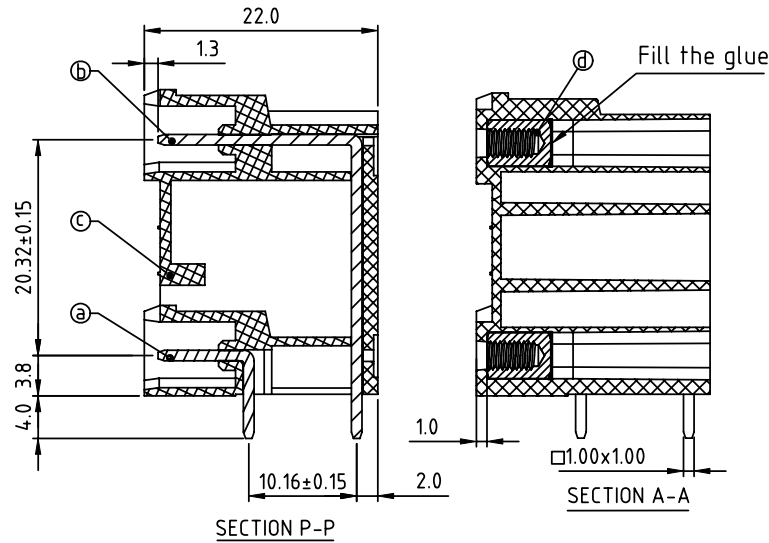
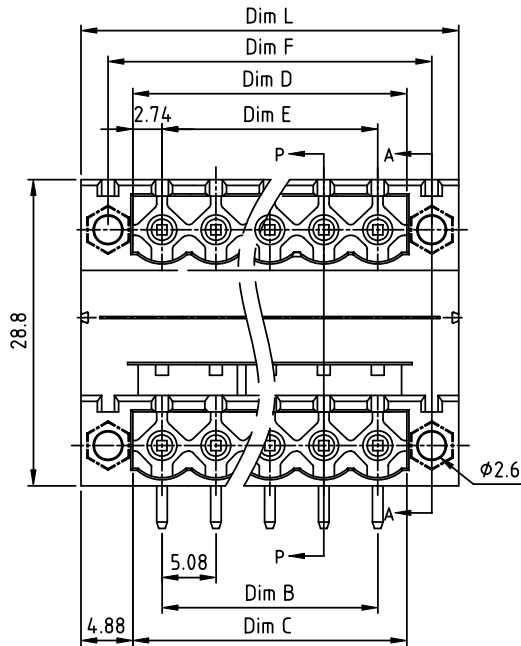


PART NO.: VL xx 5 2 x 1 00J0 G

Solid block	0	Color	Black (RAL9005)	RoHS compliant
No. of poles	2		Red (RAL3001/D)	(lead<4%)
04 2x2poles	3		Orange(RAL2011/P)	In copper Alloy
06 2x3poles	4		Yellow(RAL1018/A)	
...	...		5 Green(RAL6018/T)	
48 2x24poles	6		Blue (RAL5015/A)	
	8		Grey(RAL7035/D)	
	9		White(RAL1102)	
	C		Green(RAL6018/U)	



RECOMMENDED P.C.B LAYOUT
TOP VIEW



- Material:
- Item ① Short pin: Copper Tin plated
 - Item ② Long pin: Copper Tin plated
 - Item ③ Terminal (housing): Thermoplastic (UL94V-0)
 - Item ④ With flange nut: Brass ,M2.5
- Electrical: cULus
- Voltage rating: 300V
 - Current rating: 20A
 - Withstanding Voltage: 1.6 KV
 - Operating temperature: -40°C to +115°C
 - Soldering temperature: 260°C±5°C/5 Sec
 - Safety Approval:

N=Number of poles
 Dim L=(N/2+2)×5.08 Dim D=N/2×5.08+0.4
 Dim B=(N/2-1)×5.08 Dim E=(N/2-1)×5.08
 Dim C=N/2×5.08+0.4 Dim F=(N/2+1)×5.08

Poles	Dim L	Dim B	Dim C	Dim D	Dim E	Dim F
2x2-2x6p	±0.15	±0.15	+0.15 -0.00	+0.15 -0.00	±0.15	±0.15
2x7-2x12p	±0.25	±0.25	+0.25 -0.00	+0.25 -0.00	±0.25	±0.25
2x13-2x18p	±0.35	±0.35	+0.30 -0.00	+0.30 -0.00	±0.35	±0.35
2x19-2x24p	±0.40	±0.40	+0.40 -0.00	+0.40 -0.00	±0.40	±0.40

mat'l. code		surface ASME Y14.5	tolerance ASME Y14.5	projection	product family TERMINAL BLOCK
ltr	ecn no	dr	date		title TERMINAL BLOCK
				MM	PLUGGABLE SOCKET, WITH FLANGE, RIGHT ANGLE
				scale	dwg no VLxx52x100J0G
				dr	sheet 1 of 1 size A4
				enr	type CUSTOMER Drawing
				chr	
				appd	
sheet index	revision	A			
	sheet	1			