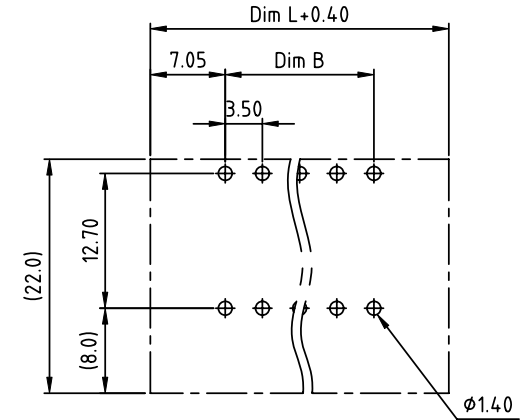
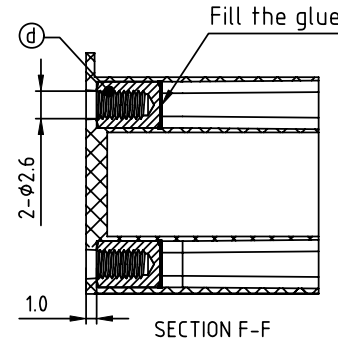
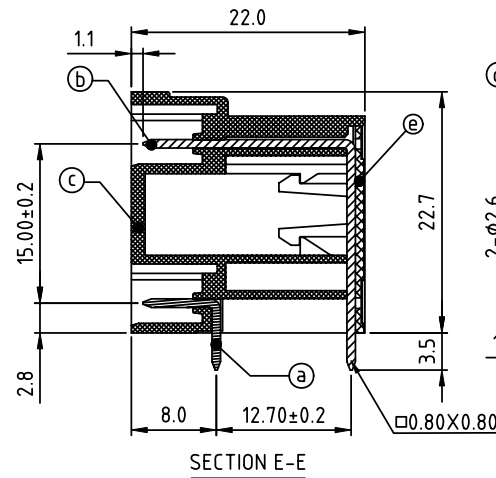
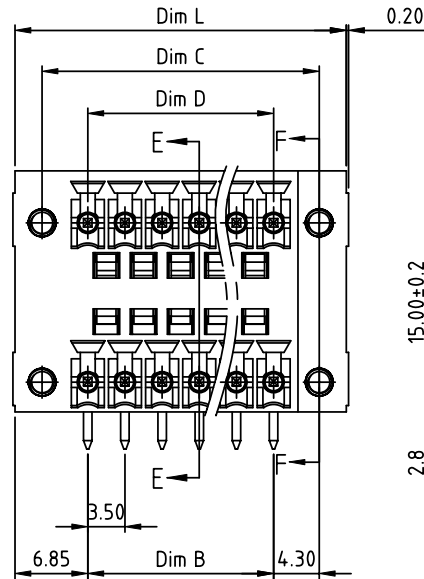


| | |
|----------------|---------|
| PRODUCT NUMBER | PITCH |
| VLxx14x100J0G | 3.50 mm |



RECOMMENDED P.C.B LAYOUT
TOP VIEW

Material:

- Item① Short pin: Copper Tin plated
 - Item② Long pin :Copper Tin plated
 - Item③ Terminal (housing): Thermoplastic (UL94V-0)
 - Item④ With flange nut : Brass (CuZn)
 - Item⑤ Terminal (cover): Thermoplastic (UL94V-0)
- Electrical cULus
- Voltage rating: 300VAC
 - Current rating: 8A
 - Wire range:
 - Solid wire(AWG):
 - Stranded wire(AWG):
 - Withstanding Voltage: 1.6KV
 - Operating temperature: -40°C to +115°C
 - Soldering temperature: 260°C±5°C/5 Sec
 - Safety Approval:

N = Number of poles
 Dim L=(N/2-1)×3.5+13.7
 Dim B=(N/2-1)×3.5
 Dim C=(N/2-1)×3.5+8.6
 Dim D=(N/2-1)×3.5

| Poles | Tolerance |
|------------|-----------|
| 2×2-2×6p | ±0.15 |
| 2×7-2×13p | ±0.20 |
| 2×14-2×18p | ±0.25 |
| 2×19-2×24p | ±0.30 |

PART NO.: VL xx 1 4 x 1 00J0 G

| | Solid block | No. of poles | Color | RoHS compliant |
|--|-------------|--------------|-------------------|-----------------|
| | 0 | 2 | Black (RAL9005) | (lead<4%) |
| | 04 | 2x2poles | Red (RAL3001/D) | In copper Alloy |
| | 06 | 2x3poles | Orange(RAL2011/P) | |
| | ... | ... | Yellow(RAL1018/A) | |
| | 48 | 2x24poles | Green(RAL6018/T) | |
| | | | Blue (RAL5015/A) | |
| | | | Grey(RAL7035/D) | |
| | | | White(RAL1102) | |
| | | | Green(RAL6018/U) | |

| | | | | | |
|-------------|----------------|-----------------------|-------------------------|--------------------------|--|
| mat'l. code | | surface ASME Y14.5 | tolerance ASME Y14.5 | projection | product family TERMINAL BLOCK |
| ltr | ecn no | dr | date | | title TERMINAL BLOCK |
| | | | | angles φ | PLUGGABLE SOCKET, WITH FLANGE, RIGHT ANGLE, B TYPE |
| | | | | X±0.5 | scale MM |
| | | | | X.X±0.3 | dwg no VLxx14x100J0G |
| | | | | X°±1' | sheet 1 of 1 size A4 |
| | | | | dr EVIN ZHONG 042514 | |
| | | | | enr EVIN ZHONG 042514 | |
| | | | | chr HANKE FENG 042514 | |
| | | | | appd SHI JUN 042514 | |
| sheet index | revision sheet | A | 1 | | type CUSTOMER Drawing |