

Tous droits strictement réservés. Reproduction ou communication
à des tiers interdite sans autorisation écrite de
FCI Electronics S.A. Propriété de FCI Electronics S.A.
Droits de reproduction FCI Electronics S.A.



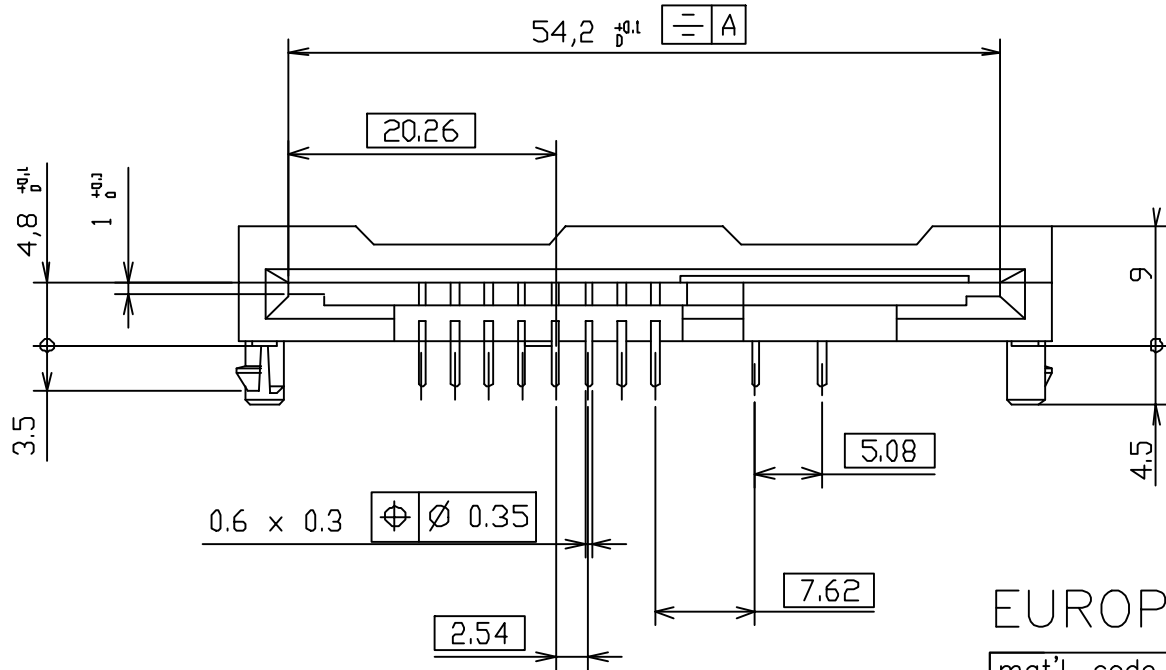
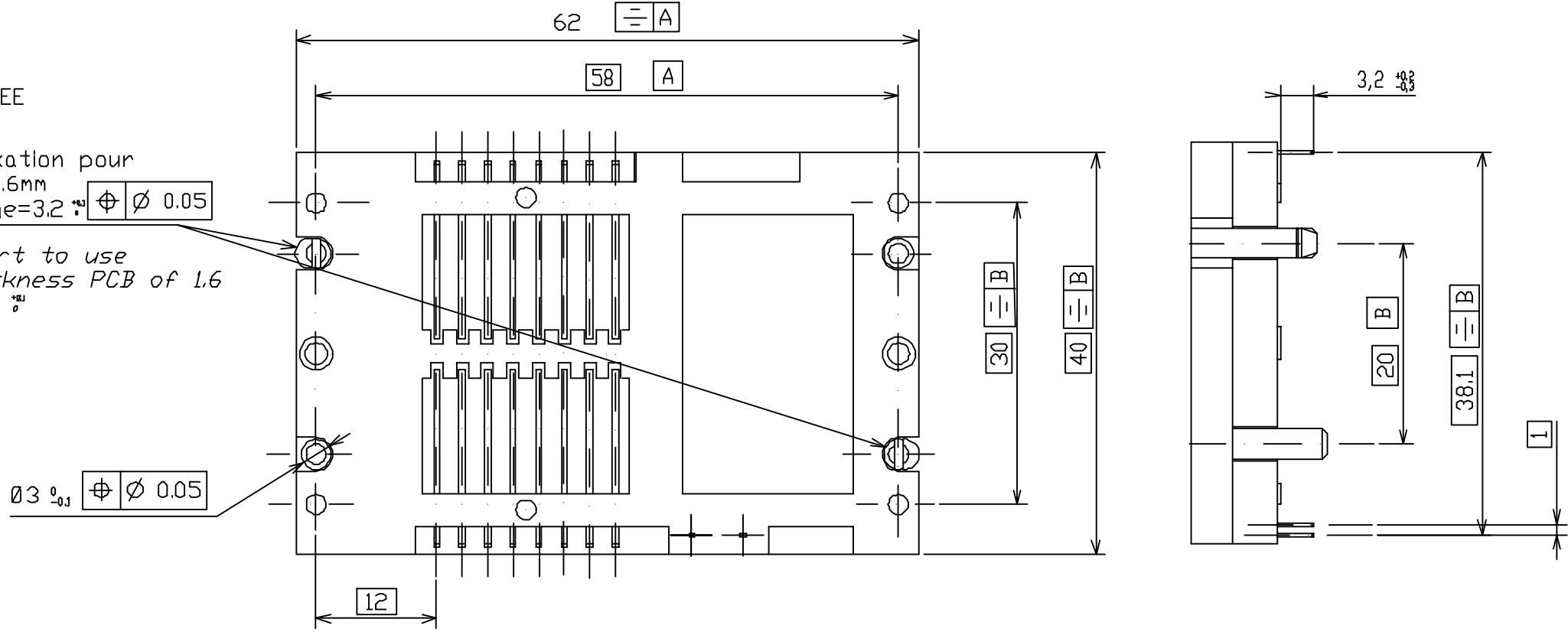
All rights strictly reserved. Reproduction or issue to third parties
in any form or by any means not permitted without written authority from the
FCI Electronics S.A. Property of FCI Electronics S.A.
Copyright FCI Electronics S.A.

CATALOGUE NUMBER
7434L0435S01

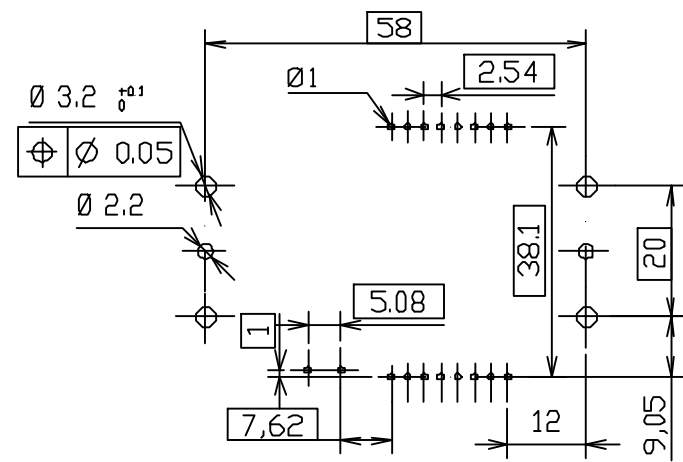
CATALOGUE NUMBER
7434L0435S01LF → LEAD FREE

Clips de fixation pour
circuit ep1.6mm
Ø de perçage=3.2^{+0.1} ϕ 0.05

*Crimping part to use
with a thickness PCB of 1.6
holes Ø=3.2^{+0.1}*



IMPLANTATION C.I
PCB FOOTPRINT



NOTES:

- * Contacts : copper alloy
- * Plating : gold over nickel
- * Solder tails : SnPb(60/40)bare edge allowed
for lead free : matte tin instead of SnPb
- * Housing : thermoplastic UL94V0

Tol.Gen: 0mm a 10mm ±0.1mm
10 a 30mm ±0.15mm
30 a 60mm ±0.2mm
60mm et plus ±0.3mm

"This product meets European Union Directives and other country regulations as described in GS-22-008"
The housing will withstand exposure to 260°C peak temperature for 10 seconds in a wave solder application with a 1.6mm minimum thick circuit board.

EUROPEAN PROJECTION

mat'l. code		tolerances unless otherwise specified		CUSTOMER COPY	 ELECTRONICS www.fciconnect.com
ltr	ecn no	dr	date	projection	
A	F20307	DLE	02.04.29	linear	title L04 VXX 27596
B	I05-0071	NT	05.05.26	angles	
		dr	D LEGRAND	02.04.29	product family SMART CARD code 213
		eng	F TISSERAND	02.04.29	
		chr	N.TWINCY	05.05.26	size dwg no A3 VJW 12038
		app	N.TWINCY	05.05.26	
sheet index	revision sheet			scale	sheet 1 of 1