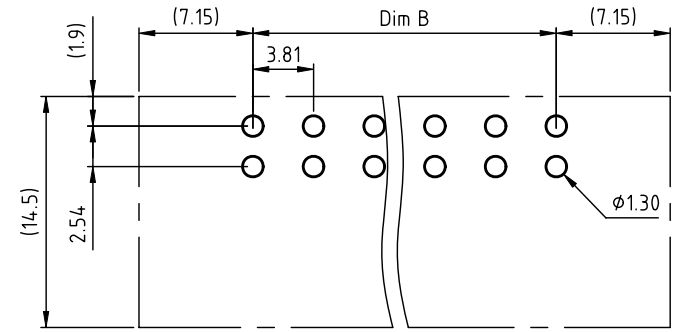
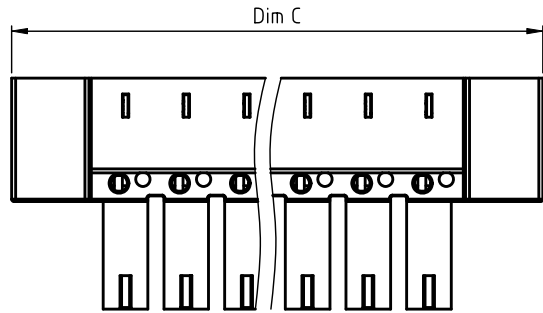
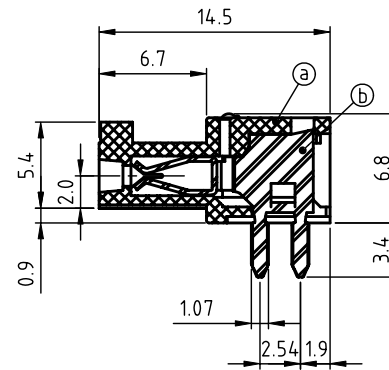
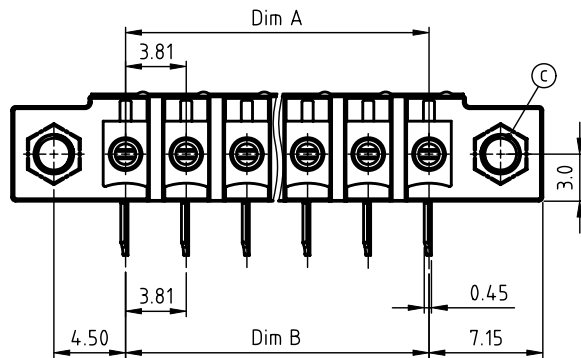


PRODUCT NUMBER	PITCH
V7xx32x100J0G	3.81 mm



RECOMMENDED P.C.B LAYOUT  
TOP VIEW



Material:

- Item @ Terminal body: Thermoplastic (UL94V-0)
- Item Ⓓ Female contact: PhBz(CuSn), Tin plated
- Item Ⓒ With Flange Nut : Brass M2.5

Electrical cULus

- Voltage rating: 300V AC
- Current rating: 8A
- Withstanding Voltage: 1.6kv
- Operating temperature: -40°C to +115°C
- Soldering temperature: 260°C±5°C/5 Sec
- Safety Approval:

N=Number of poles  
 Dim A=(N-1)×3.81  
 Dim B=(N-1)×3.81  
 Dim C=(N-1)×3.81+14.3

poles	Tolerance
2-5p	±0.10
6-10p	±0.15
11-15p	±0.20
16-20p	±0.25
21-24p	±0.30

PART NO.: V7 xx 32 x 1 00J0 G

Solid block	No. of poles	Color	RoHS compliant (lead<4%) In copper Alloy
0	2	Black (RAL9005)	
02	3	Red (RAL3001/D)	
03	4	Orange(RAL2011/P)	
...	...	Yellow(RAL1018/A)	
...	...	Green(RAL6018/T)	
24	6	Blue (RAL5015/A)	
	8	Grey(RAL7035/D)	
	9	White(RAL1102)	
	C	Green(RAL6018/U)	

mat'l. code		surface ASME Y14.5	tolerance ASME Y14.5	projection 	product family TERMINAL BLOCK
ltr	ecn no	dr	date	tolerances unless otherwise specified	title TERMINAL BLOCK
				angles $X^{\circ}\pm 1^{\circ}$	PLUGGABLE PCB PLUG, WITH FLANGE, RIGHT ANGLE
				scale MM	dwg no V7xx32x100J0G
		dr	EVIN ZHONG	043014	sheet 1 of 1 size A4
		enr	EVIN ZHONG	043014	FCI CUSTOMER Drawing
		chr	HANKE FENG	043014	
		appd	SHI JUN	043014	
sheet index	revision sheet	A	1		