

Compensated High Current Choke, 3-phase



Description

- Current compensated choke
- 3-phase choke
- THT-terminals
- Flange for mounting onto printed circuit board
- Fully potted resin

Standards

- EN 60938
- UL 1283
- CSA 22.2 no 8

Applications

- Placed in front of frequency converter
- Stepper motor drives
- UPS-systems
- Inverter

Weblinks

[pdf-datasheet](#), [html-datasheet](#), [General Product Information](#), [Approvals](#), [CE declaration of conformity](#), [RoHS](#), [CHINA-RoHS](#), [REACH](#), [e-Shop](#), [SCHURTER-Stock-Check](#), [Distributor-Stock-Check](#), [Detailed request for product](#)

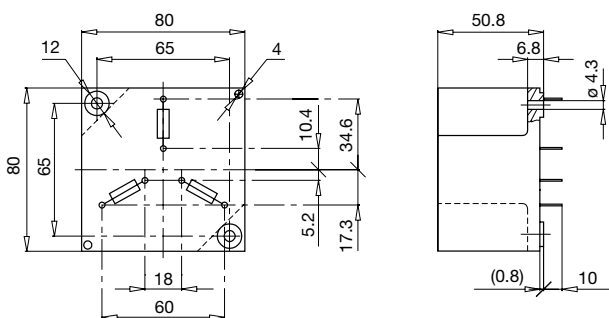
Technical Data

Rated voltage	up to 540 VAC
Rated voltage	up to 760 VDC
Rated Current	10 - 20A @ Ta 40 °C
Rated inductance	0.6 - 5 mH, Tol. -30% +50%
Power Operating Frequency	50 - 400 Hz
Terminal technic	THT
Weight	146 - 517 g
Material: Housing	UL 94V-0
Sealing Compound	UL 94V-0

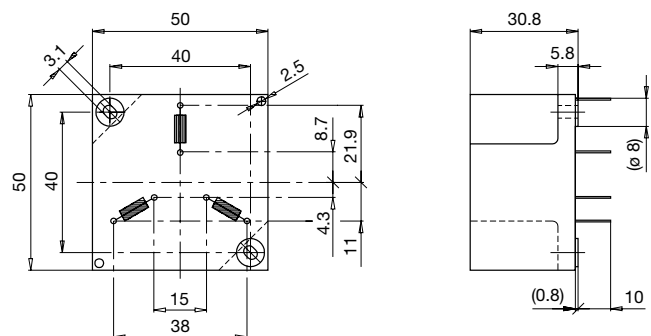
Test Voltage	2.5 kV, 50 Hz, 2 sec, winding to winding
Isolation Voltage	2.5 kV eff., 50 Hz, 2 sec, winding to ambient
Climatic Category	25/100/21 acc. to IEC 60068-1
Allowable Operation Temp.	-25 °C to 100 °C

Dimension

Case 31-3P

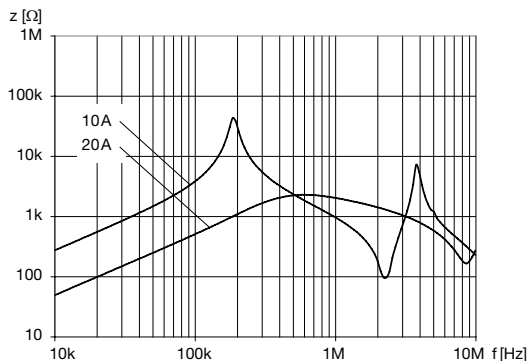


Case 46-3P

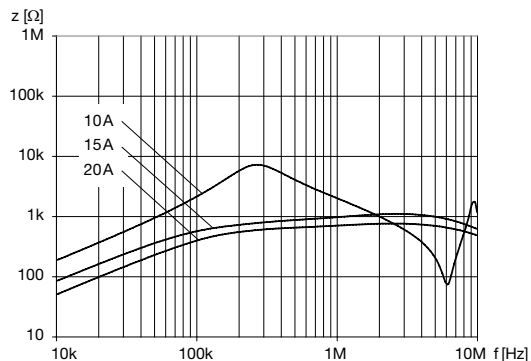


Impedance curves

DKIL-0331-xxxx



DKIL-0346-xxxx



All Variants

I_n [A]	L_n [mH]	R_{cu} [m Ω]	Tripped Power Dissipation [W]	f_{RES} [MHz]	Copper ϕ [mm]	Weight [g]	Housing	Packing unit [pcs.]	Order Number
10	5	32	9.6	0.22	1.25	501 g	31-3P	2	DKIL-0331-1005
20	1	8	9.6	0.68	1.8	517 g	31-3P	2	DKIL-0331-2001
10	2.5	15	4.5	0.5	1.25	146 g	46-3P	10	DKIL-0346-1002
15	1	7	4.7	0.6	1.6	148 g	46-3P	10	DKIL-0346-1501
20	0.6	5	6	2.6	1.8	155 g	46-3P	10	DKIL-0346-20D6

Most Popular:

Availability for all products can be searched real-time: <http://www.schurter.com/en/Stock-Check/Stock-Check-SCHURTER>