

IEC Appliance Inlet C14 or C18 with Filter, ECO design, Front- or Rear Side Mounting

Standard- or Medical-Filter



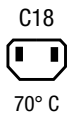
Screw-on mounting
PCB snap-in version



Snap-in mounting
Quick connect terminals 6.3 x 0.8 mm
Protection class II



Screw-on mounting
with wires (stranded)



Description

- Panel Mount:
 - Screw-on version from front or rear side, snap-in version from front side, PCB Version from rear side
- 2 Functions:
 - Appliance Inlet protection class I or II, Line filter in standard and medical version
- Solder, quick connect or wire (stranded)
- PCB Mounting
- Earth Terminal

Approvals

- VDE Certificate Number: 40016382
- UL File Number: E72928
- CCC File Number: 2010010204438235

Characteristics

- Compact high performance filter
- Optimal shielding due to completely closed filter case, unpotted
- Designed for standard and medical applications
- Suitable for assembly in metal plated plastic housings
- Suitable for use in equipment according to IEC/UL 60950
- Suitable for use in medical equipment according to IEC/UL 60601-1

Other versions on request

- Snap-in for panel thickness >2mm to 3mm
- flexible wire with various lengths
- Class X1- and Y1-capacitors for enhanced withstand voltage
- Medical version M80
- Variant with notch for V-Lock mating Cordsets

References

Alternative: version without line filter [6100-3](#)

Weblinks

[pdf-datasheet](#), [html-datasheet](#), [General Product Information](#), [Approvals](#), [CE declaration of conformity](#), [RoHS](#), [CHINA-RoHS](#), [REACH](#), [Mating Connectors](#), [e-Shop](#), [SCHURTER-Stock-Check](#), [Distributor-Stock-Check](#), [CAD-Drawings](#), [Accessories](#), [Wire Harnessing](#), [Detailed request for product](#)

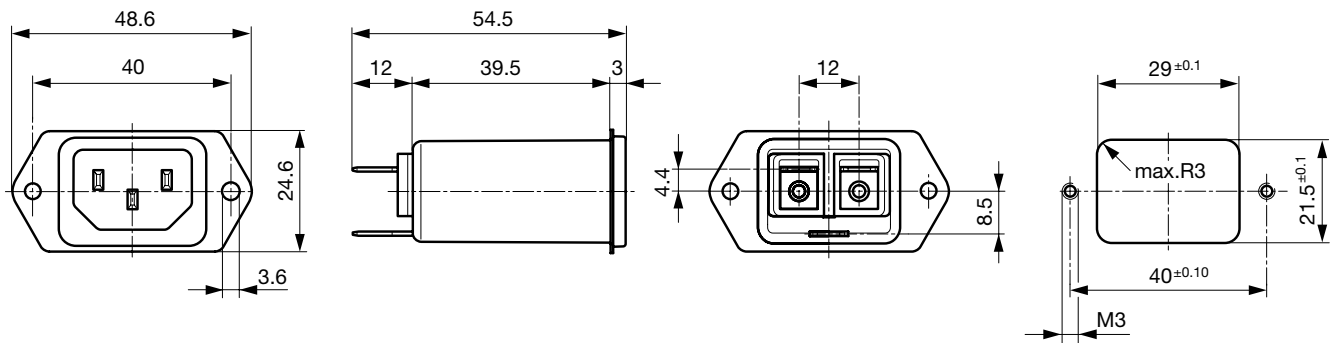
Newly available variants corresponding to V-Lock mating cordset. The connector is equipped with a notch intended for use with the latching cordset. The cord latching system prevents against accidental removal of the cordset.

Technical Data

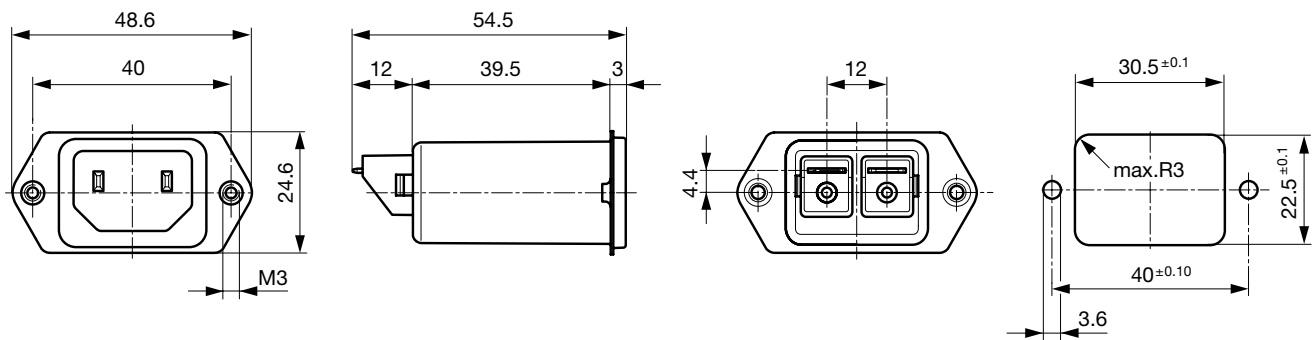
Ratings IEC	1 - 10A @ Ta 40 °C / 250VAC; 50Hz	Appliance-Inlet/-Outlet	C14 / C18 acc. to IEC 60320, UL 498, CSA C22.2 no. 42 (for cold conditions) pin-temperature 70 °C, 10A, Protection Class I or II
Ratings UL/CSA	1 - 15A @ Ta 40 °C / 250VAC; 60Hz	Line Filter	Standard and Medical Version, IEC 60939, UL 1283, CSA C22.2 no. 8 Technical Details
Leakage Current	standard < 0.5mA (250V / 60Hz) medical < 5 µA (250 V / 60 Hz)	MTBF	> 3'000'000h acc. to MIL-HB-217 F
Dielectric Strength	> 1.7kVDC between L-N > 2.7kVDC between L/N-PE Test voltage (2sec)		
Allowable Operation Temp.	-25 °C to 85 °C		
Climatic Category	25/085/21 acc. to IEC 60068-1		
Degree of Protection	from front side IP 40 acc. to IEC 60529		
Protection Class	Suitable for appliances with protection class I or II acc. to IEC 61140		
Terminal	Quick connect terminals 6.3 x 0.8 mm Solder terminals Flexible wire AWG18 (15A AWG16), 150 mm		
Panel Thickness s	Screw: max 8 mm Mounting screw torque max 0.5Nm Snap-in: 0.8mm to 2mm (all steps with one variant)		
Material: Housing	Thermoplast / steel tin-plated, black / metallic, UL 94V-0		

Dimension

Front or rear side mounting for screws with nuts or blind rivets (panel cutout for frontside mounting)

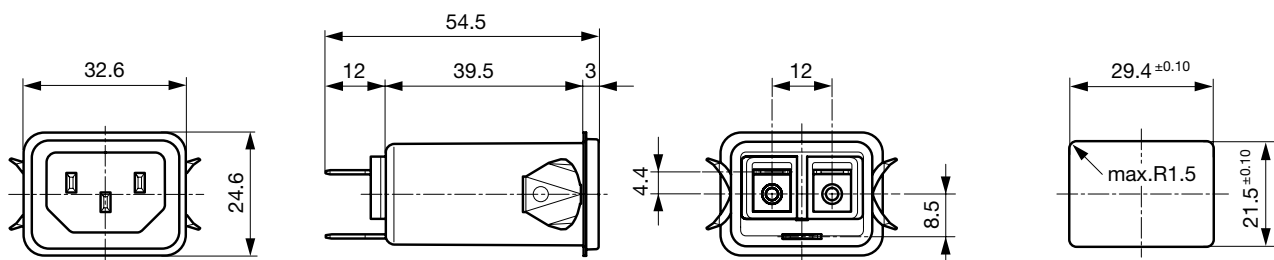


Rear side mounting with pre-formed, threaded holes for M3 screws (panel cutout for rear side mounting)



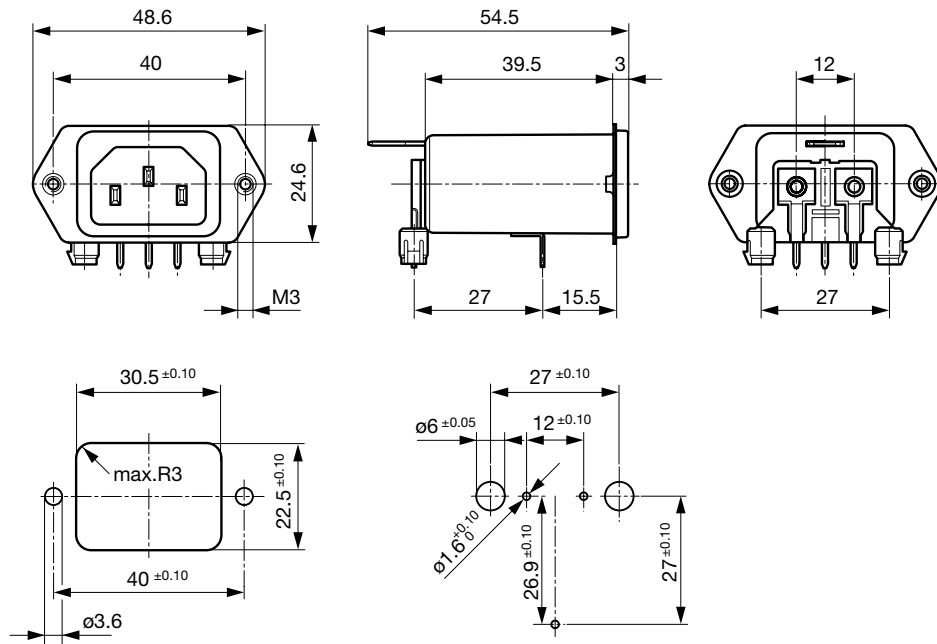
Dimensions for class II version also apply to class I

Snap-in mounting from front side

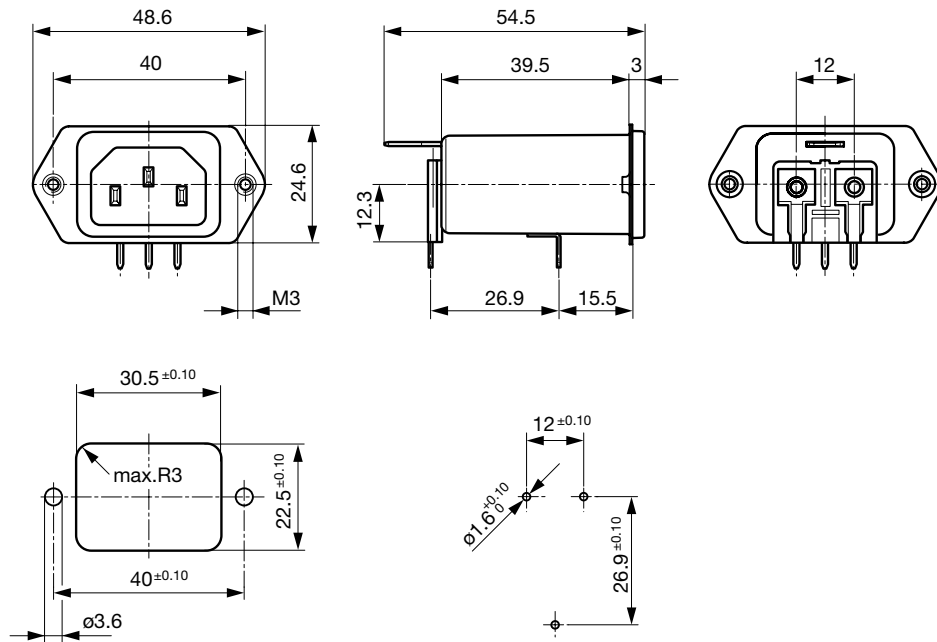


Dimensions for class I version also apply class II

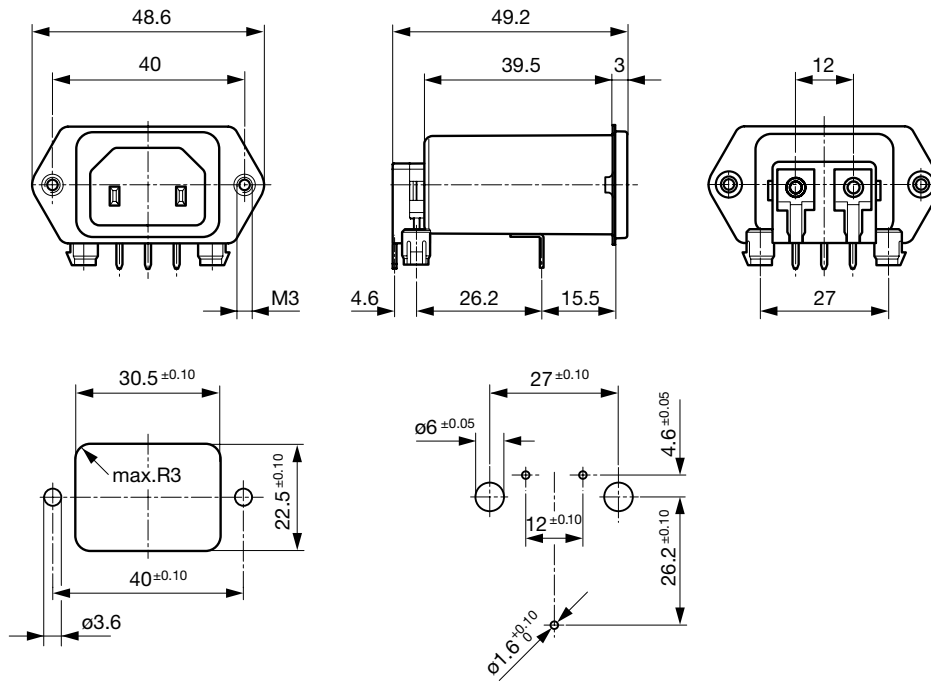
PCB snap-in rear side mounting, protection class I



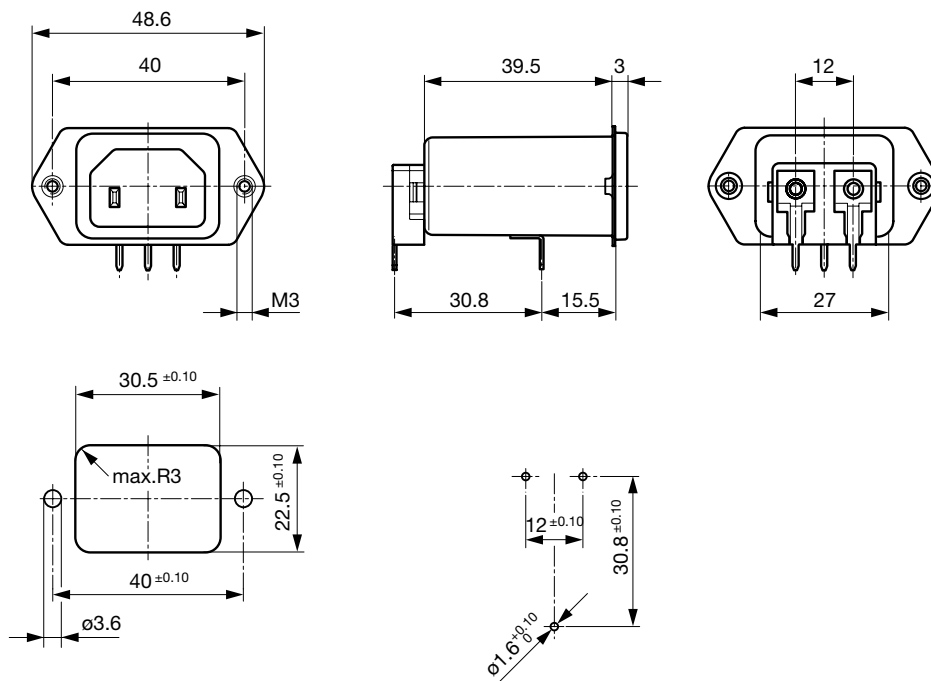
PCB rear side mounting, protection class I



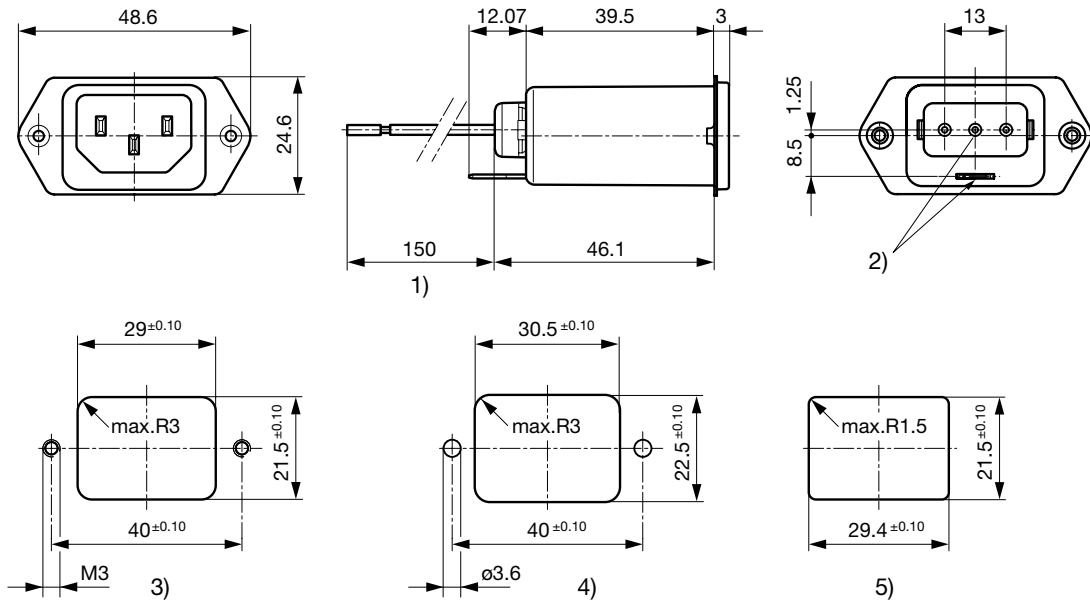
PCB snap-in rear side mounting, protection class II



PCB rear side mounting, protection class II



Screw and snap-in mounting with flexible wire



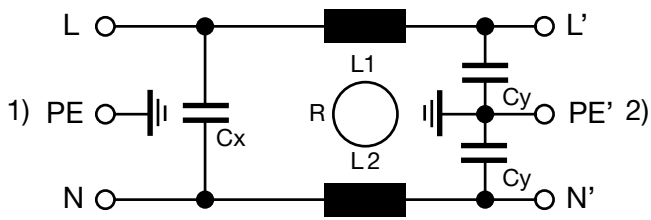
- 1) Flexible wire, standard length 150 mm or special length on request
- 2) Nonexistent for protection class II
- 3) Panel cut-out screw-on version, back-side mounting
- 4) Panel cut-out screw-on version, front- or back-side mounting
- 5) Panel cut-out snap-in version, front-side mounting

Technical Data of Filter-Components

Rated Current [A]	Filter-Type	Inductances L [mH]	Capacitance CX [nF]	Capacitance CY [nF]	R [MΩ]
1	Standard Version	2 x 12	100	2.2	-
2	Standard Version	2 x 5.2	100	2.2	-
4	Standard Version	2 x 2	100	2.2	-
6	Standard Version	2 x 0.8	100	2.2	-
10	Standard Version	2 x 0.4	100	2.2	-
15	Standard Version	2 x 0.1	100	2.2	-
1	Medical Version (M5)	2 x 12	100	-	1
2	Medical Version (M5)	2 x 5.2	100	-	1
4	Medical Version (M5)	2 x 2	100	-	1
6	Medical Version (M5)	2 x 0.8	100	-	1
10	Medical Version (M5)	2 x 0.4	100	-	1
15	Medical Version (M5)	2 x 0.1	100	-	1
1	Bleed Resistor Version	2 x 12	100	2.2	1
2	Bleed Resistor Version	2 x 5.2	100	2.2	1
4	Bleed Resistor Version	2 x 2	100	2.2	1
6	Bleed Resistor Version	2 x 0.8	100	2.2	1
10	Bleed Resistor Version	2 x 0.4	100	2.2	1
15	Bleed Resistor Version	2 x 0.1	100	2.2	1

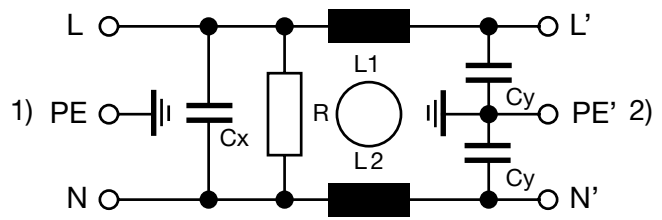
Diagrams

Standard version



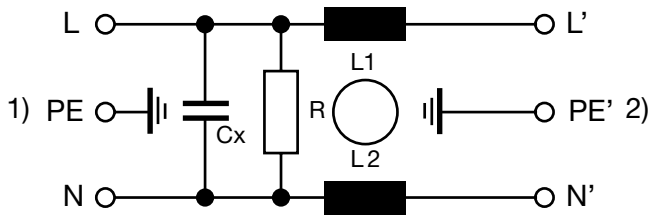
1) Line
2) Load

Bleed resistor version



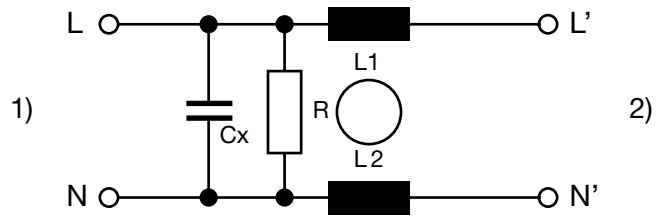
1) Line
2) Load

Medical version M5



1) Line
2) Load

Medical version M5, prot. class II



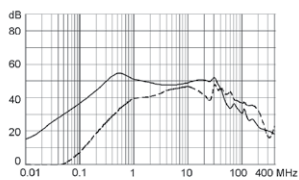
1) Line
2) Load

Attenuation Loss

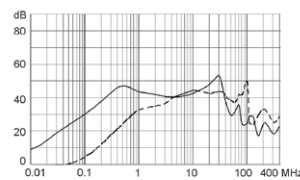
--- differential mode ____ common mode

Standard version

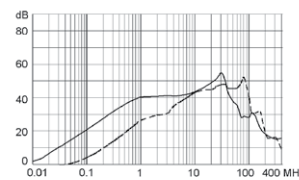
1 A



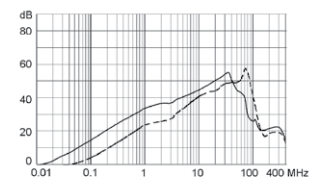
2 A



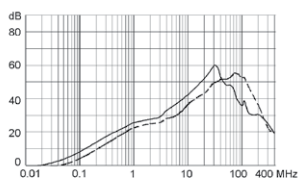
4 A



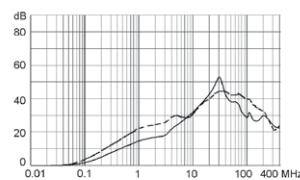
6 A



10 A

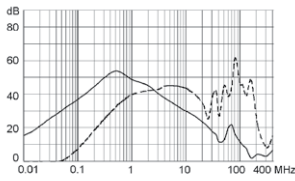


15 A

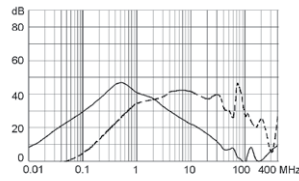


Medical version (M5)

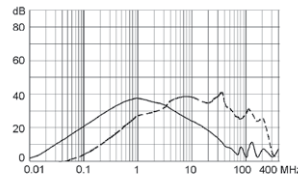
1 A



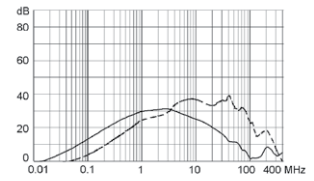
2 A



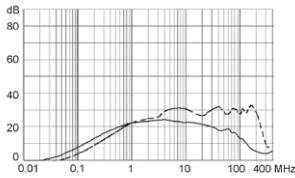
4 A



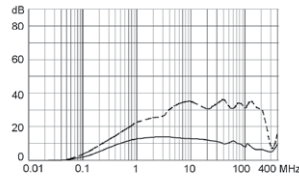
6 A



10 A



15 A



All Variants

Rated Current [A]	Filter-Type	Mounting	Mounting side	Terminal	Protection Class	Order Number
6	Standard Version	Snap-in 2 - 3 mm	Front Side	Flexible wire	I	5120.3034.0
1	Standard Version	Snap-in	Front Side	Quick connect	I	5120.2000.0
2	Standard Version	Snap-in	Front Side	Quick connect	I	5120.2001.0
4	Standard Version	Snap-in	Front Side	Quick connect	I	5120.2003.0
6	Standard Version	Snap-in	Front Side	Quick connect	I	5120.2004.0
10	Standard Version	Snap-in	Front Side	Quick connect	I	5120.2006.0
10	Standard Version	Snap-in	Front Side	Flexible wire and	I	5120.2046.0
15	Standard Version	Snap-in	Front Side	Quick connect	I	5120.2007.0
1	Standard Version	Screw/PCB snap-in	Rear Side	PCB pin and earth	I	5120.5070.0
2	Standard Version	Screw/PCB snap-in	Rear Side	PCB pin and earth	I	5120.5071.0
4	Standard Version	Screw/PCB snap-in	Rear Side	PCB pin and earth	I	5120.5073.0
6	Standard Version	Screw/PCB snap-in	Rear Side	PCB pin and earth	I	5120.5074.0
10	Standard Version	Screw/PCB snap-in	Rear Side	PCB pin and earth	I	5120.5076.0
15	Standard Version	Screw/PCB snap-in	Rear Side	PCB pin and earth	I	5120.5077.0
1	Standard Version	Screw/PCB	Rear Side	PCB pin and earth	I	5120.4070.0
2	Standard Version	Screw/PCB	Rear Side	PCB pin and earth	I	5120.4071.0
4	Standard Version	Screw/PCB	Rear Side	PCB pin and earth	I	5120.4073.0
6	Standard Version	Screw/PCB	Rear Side	PCB pin and earth	I	5120.4074.0
10	Standard Version	Screw/PCB	Rear Side	PCB pin and earth	I	5120.4076.0
15	Standard Version	Screw/PCB	Rear Side	PCB pin and earth	I	5120.4077.0
1	Standard Version	Screw-on/Rivet	Front-/Rear-Side	Quick connect	I	5120.0000.0
1	Standard Version	Screw-on/Rivet	Front-/Rear-Side	Solder terminals	I	5120.0010.0
2	Standard Version	Screw-on/Rivet	Front-/Rear-Side	Quick connect	I	5120.0001.0
4	Standard Version	Screw-on/Rivet	Front-/Rear-Side	Quick connect	I	5120.0003.0
6	Standard Version	Screw-on/Rivet	Front-/Rear-Side	Quick connect	I	5120.0004.0
10	Standard Version	Screw-on/Rivet	Front-/Rear-Side	Quick connect	I	5120.0006.0
15	Standard Version	Screw-on/Rivet	Front-/Rear-Side	Quick connect	I	5120.0007.0
15	Standard Version	Screw-on/Rivet	Front-/Rear-Side	Flexible wire	I	5120.0057.0
1	Standard Version	Screw	Rear Side	Quick connect	I	5120.1000.0
2	Standard Version	Screw	Rear Side	Quick connect	I	5120.1001.0
4	Standard Version	Screw	Rear Side	Quick connect	I	5120.1003.0
6	Standard Version	Screw	Rear Side	Quick connect	I	5120.1004.0
10	Standard Version	Screw	Rear Side	Quick connect	I	5120.1006.0
10	Standard Version	Screw	Rear Side	Quick connect	I	5120.1006.0.21
10	Standard Version	Screw	Rear Side	Flexible wire and	I	5120.1046.0

Rated Current [A]	Filter-Type	Mounting	Mounting side	Terminal	Protection Class	Order Number
15	Standard Version	Screw	Rear Side	Quick connect	I	5120.1007.0
1	Medical Version (M5)	Snap-in	Front Side	Quick connect	I	5120.2300.0
2	Medical Version (M5)	Snap-in	Front Side	Quick connect	I	5120.2301.0
4	Medical Version (M5)	Snap-in	Front Side	Quick connect	I	5120.2303.0
6	Medical Version (M5)	Snap-in	Front Side	Quick connect	I	5120.2304.0
10	Medical Version (M5)	Snap-in	Front Side	Quick connect	I	5120.2306.0
15	Medical Version (M5)	Snap-in	Front Side	Quick connect	I	5120.2307.0
4	Medical Version (M5)	Screw/PCB snap-in	Rear Side	PCB pin and earth	I	5120.5373.0
6	Medical Version (M5)	Screw/PCB snap-in	Rear Side	PCB pin and earth	I	5120.5374.0
4	Medical Version (M5)	Screw/PCB	Rear Side	PCB pin and earth	I	5120.4373.0
6	Medical Version (M5)	Screw/PCB	Rear Side	PCB pin and earth	I	5120.4374.0
1	Medical Version (M5)	Screw-on/Rivet	Front-/Rear-Side	Quick connect	I	5120.0300.0
2	Medical Version (M5)	Screw-on/Rivet	Front-/Rear-Side	Quick connect	I	5120.0301.0
4	Medical Version (M5)	Screw-on/Rivet	Front-/Rear-Side	Quick connect	I	5120.0303.0
4	Medical Version (M5)	Screw-on/Rivet	Front-/Rear-Side	Flexible wire and	I	5120.0343.0
6	Medical Version (M5)	Screw-on/Rivet	Front-/Rear-Side	Quick connect	I	5120.0304.0
10	Medical Version (M5)	Screw-on/Rivet	Front-/Rear-Side	Quick connect	I	5120.0306.0
15	Medical Version (M5)	Screw-on/Rivet	Front-/Rear-Side	Quick connect	I	5120.0307.0
1	Medical Version (M5)	Screw	Rear Side	Quick connect	I	5120.1300.0
2	Medical Version (M5)	Screw	Rear Side	Quick connect	I	5120.1301.0
4	Medical Version (M5)	Screw	Rear Side	Quick connect	I	5120.1303.0
6	Medical Version (M5)	Screw	Rear Side	Quick connect	I	5120.1304.0
10	Medical Version (M5)	Screw	Rear Side	Quick connect	I	5120.1306.0
10	Medical Version (M5)	Screw	Rear Side	Quick connect	I	5120.1306.0.21
10	Medical Version (M5)	Screw	Rear Side	Flexible wire and	I	5120.1346.0
15	Medical Version (M5)	Screw	Rear Side	Quick connect	I	5120.1307.0
1	Medical Version (M5)	Snap-in	Front Side	Quick connect	II	5120.2300.1
2	Medical Version (M5)	Snap-in	Front Side	Quick connect	II	5120.2301.1
4	Medical Version (M5)	Snap-in	Front Side	Quick connect	II	5120.2303.1
6	Medical Version (M5)	Snap-in	Front Side	Quick connect	II	5120.2304.1
10	Medical Version (M5)	Snap-in	Front Side	Quick connect	II	5120.2306.1
15	Medical Version (M5)	Snap-in	Front Side	Quick connect	II	5120.2307.1
4	Medical Version (M5)	Screw/PCB snap-in	Rear Side	PCB pin and earth	II	5120.5373.1
6	Medical Version (M5)	Screw/PCB snap-in	Rear Side	PCB pin and earth	II	5120.5374.1
10	Medical Version (M5)	Screw/PCB snap-in	Rear Side	PCB pin and earth	II	5120.5376.1
4	Medical Version (M5)	Screw/PCB	Rear Side	PCB pin and earth	II	5120.4373.1
6	Medical Version (M5)	Screw/PCB	Rear Side	PCB pin and earth	II	5120.4374.1
2	Medical Version (M5)	Screw-on/Rivet	Front-/Rear-Side	Quick connect	II	5120.0301.1
4	Medical Version (M5)	Screw-on/Rivet	Front-/Rear-Side	Quick connect	II	5120.0303.1
6	Medical Version (M5)	Screw-on/Rivet	Front-/Rear-Side	Quick connect	II	5120.0304.1
10	Medical Version (M5)	Screw-on/Rivet	Front-/Rear-Side	Solder terminals	II	5120.0316.1
1	Medical Version (M5)	Screw	Rear Side	Quick connect	II	5120.1300.1
2	Medical Version (M5)	Screw	Rear Side	Quick connect	II	5120.1301.1
2	Medical Version (M5)	Screw	Rear Side	Solder terminals	II	5120.1311.1
4	Medical Version (M5)	Screw	Rear Side	Quick connect	II	5120.1303.1
6	Medical Version (M5)	Screw	Rear Side	Quick connect	II	5120.1304.1
10	Medical Version (M5)	Screw	Rear Side	Quick connect	II	5120.1306.1
2	Bleed Resistor Version	Snap-in	Front Side	Quick connect	I	5120.2201.0
4	Bleed Resistor Version	Snap-in	Front Side	Quick connect	I	5120.2203.0
6	Bleed Resistor Version	Snap-in	Front Side	Quick connect	I	5120.2204.0
10	Bleed Resistor Version	Snap-in	Front Side	Quick connect	I	5120.2206.0
15	Bleed Resistor Version	Snap-in	Front Side	Quick connect	I	5120.2207.0
15	Bleed Resistor Version	Snap-in	Front Side	Quick connect	I	5120.2207.0.21
10	Bleed Resistor Version	Screw-on/Rivet	Front-/Rear-Side	Solder terminals	I	5120.0216.0

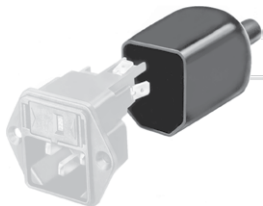
Rated Current [A]	Filter-Type	Mounting	Mounting side	Terminal	Protection Class	Order Number
<p>Most Popular.</p> <p>Availability for all products can be searched real-time:http://www.schurter.com/en/Stock-Check/Stock-Check-SCHURTER</p> <p>- 15 A version only according UL/CSA</p> <p>- Type for screw-on mounting from rear side has pre-threaded holes for M3 screws</p> <p>Suffix ".21" corresponds to the version with V-Lock mating cordset. The connector is equipped with a notch intended for use with the latching cordset. The cord latching system prevents against accidental removal of the cordset.</p>						
Packaging unit	10 Pcs					

Accessories

Description



Wire Harness
Wire harness for SCHURTER products



Assorted Covers
Rear Cover

0859.0048



Cord retaining kits
Cord retaining strain relief

Flat head, Z	0888.0021
Flat head, E	4700.0005
Flat head, G	4700.0007

Mating Outlets/Connectors

Category / Description



Appliance Outlet Overview complete

IEC Appliance Outlet F, Screw-on Mounting, Front Side, Solder Terminal	4787
IEC Appliance Outlet F, Snap-in Mounting, Front Side, Solder or Quick-connect Terminal	4788
IEC Appliance Outlet F or H, Screw-on Mounting, Front Side, Solder, PCB or Quick-connect Terminal	5091

[Appliance Outlet further types to 5120](#)


[Connector Overview complete](#)

4782 Mounting: Power Cord, 3 x 1 mm ² / 3 x 18 AWG, Cable, Connector: IEC C13	4782
4022 Mounting: Power Supply Cord, 3 x 1.5 mm ² , Screw clamps, Connector: IEC C13	4022
4785 Mounting: Power Cord, 3 x 1 mm ² / 3 x 18 AWG, Cable, Connector: IEC C13	4785
4300-06 Mounting: Power Cord, 3 x 1 mm ² / 3 x 18 AWG, Cable, Connector: IEC C13	4300-06
4012 Mounting: Power Supply Cord, 3 x 1.5 mm ² , Screw clamps, Connector: IEC C13	4012
Connector further types to 5120	...

Mating Outlets/Connectors shuttered


[Power Cord Overview complete](#)

VAC17KS, North America, 2.0 m, Connector C17, cord end:	6051.2801
VAC17KS, Europlug, 2.0 m, Connector IEC C17, cord end:	6051.2803
VAC17KS, Europlug, 2.0 m, Connector IEC C17, cord end:	6051.2813
VAC13KS, Overview, diverse Connector IEC C13, cord end:	VAC13KS

[Power Cord further types to 5120](#)