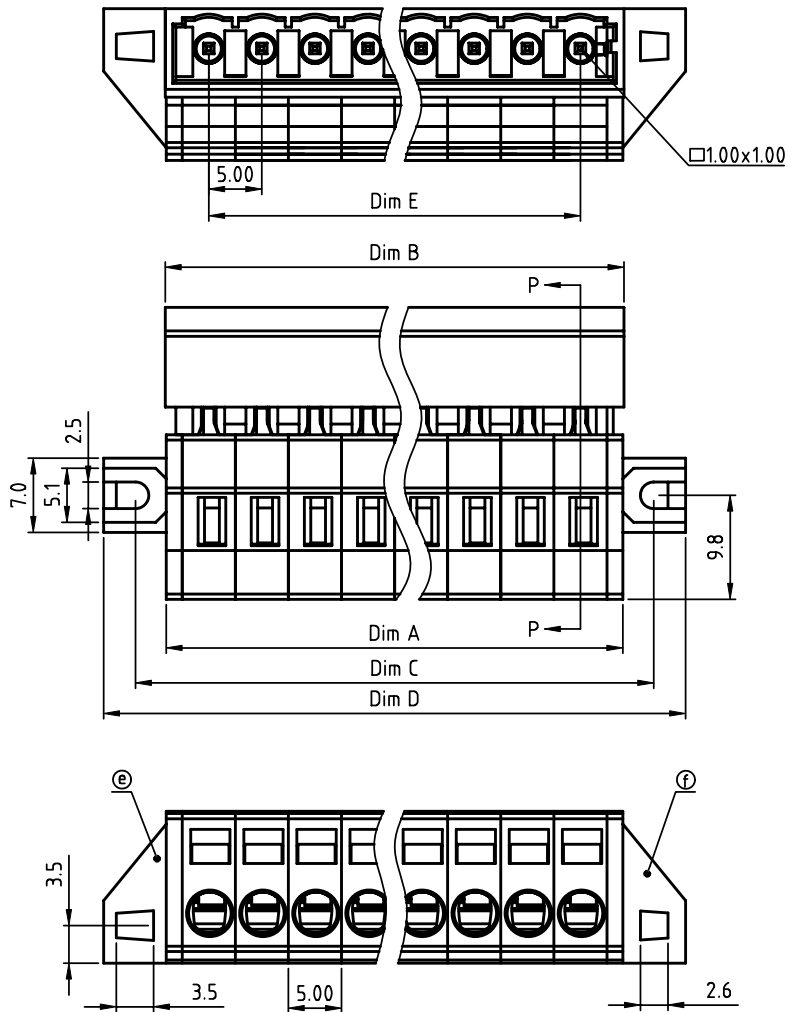


PRODUCT NUMBER	PITCH
NBxx70x100J0G	5.00 mm



N=Number of poles
 Dim A=Nx5.0+3.0
 Dim B=Nx5.0+3.2
 Dim C=Nx5.0+8.8
 Dim D=Nx5.0+14.8
 Dim E=(N-1)x5.0

POLES	Tolerance
2p-6p	±0.20
7p-12p	±0.25
13p-18p	±0.30
19p-24p	±0.40

PART NO.: NB xx 7 0 x 1 00J0 G

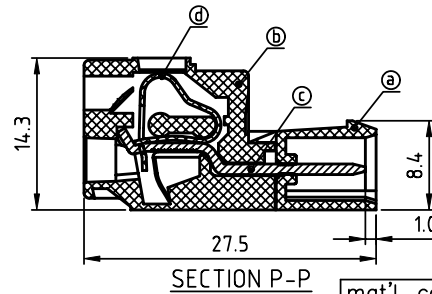
Solid block	No. of poles	Color	RoHS compliant (lead<4%) In copper Alloy
0	2	Black (RAL9005)	
02	2 poles	Red (RAL3001/D)	
03	3 poles	Orange(RAL2011/P)	
...	...	4 Yellow(RAL1018/A)	
...	...	5 Green(RAL6018/T)	
24	24 poles	6 Blue (RAL5015/A)	
		8 Grey(RAL7035/D)	
		9 White(RAL1102)	
		C Green(RAL6018/U)	

Material:

- Item@Top body:Thermoplastic (UL94 V-0)
- Item@Bottom body: Thermoplastic (UL94 V-0)
- Item@Male contact pin:Brass Tin plated
- Item@Spring clamp: Stainless steel
- Item@Terminal (Left cover):Thermoplastic (UL94 V-0)
- Item@Terminal (Right cover):Thermoplastic (UL94 V-0)

Electrical cULus

- Voltage rating: 300V
- Current rating: 8A
- Wire range:
- Solid wire(AWG): 12-28
- Stranded wire(AWG): 12-28
- Wire strip length: 8-9mm
- Withstanding Voltage: 1.6KV
- Operating temperature: -40°C to +115°C
- Safety Approval:



mat'l. code		surface ASME Y14.5	tolerance ASME Y14.5	projection	product family
ltr ecn no dr date		tolerances unless otherwise specified			TERMINAL BLOCK
		angles	X.±0.5	MM	title
		X*±1°	X.X±0.3	scale	TERMINAL BLOCK SPRING CLAMP,PLUGGABLE PLUG WITH FLANGE,MALE CONNECTOR
		dr	EVIN ZHONG 051714		dwg no
		enr	EVIN ZHONG 051714		sheet 1 of 1
		chr	HANKE FENG 051714		NBxx70x100J0G
		appd	SHI JUN 051714		A4
sheet index	revision sheet	A			type CUSTOMER Drawing