

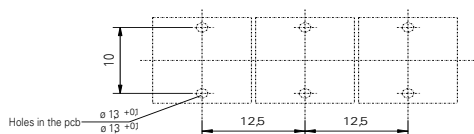
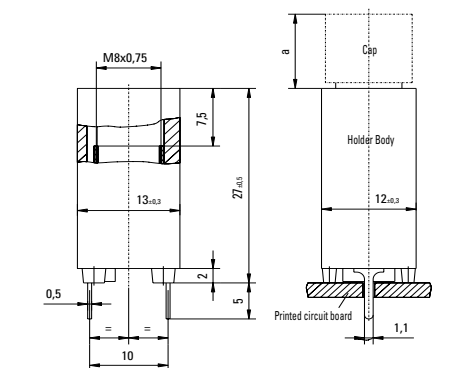
## 598 Series Circuit Board Mount Enclosed Fuse Holders for 5x20mm and 5x25mm Fuses



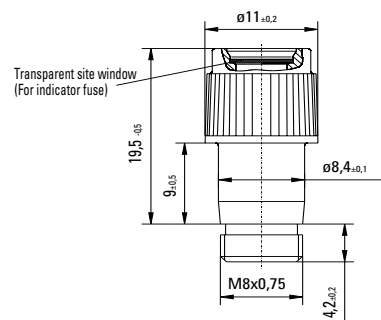
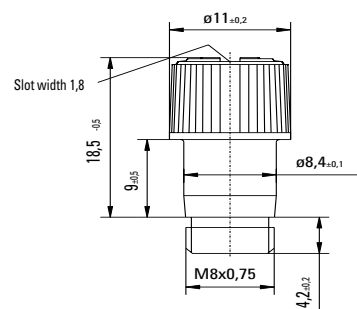
Not for new designs; please refer to holder no. 831/834



### Dimensions



Circuit Board Hole Placement Dimensions



### Product Characteristics

<b>Compatible Fuse Types</b>	<b>5x20mm 5x25mm</b>
<b>Materials</b>	<b>Holder:</b> Duroplastic (Phenoplast PF), black
	<b>Cap:</b> Thermoplastic (Polyamide PA 6.6), UL 94 V-0, black
	<b>Metal Parts:</b> Copper alloy, corrosion protected
	<b>Terminals:</b> solderable tinned
<b>Electrical Data (23°C)</b>	<b>Rated Voltage:</b> 250V
	<b>Max. Current/Power:</b> 6.3V / 2.5 W
<b>Mounting</b>	(2) Solder pins 0.5x1.1mm
<b>Protection Class &amp; Category</b>	IP 40 (IEC 60529)
<b>Operating Temperature</b>	-25 °C to 70 °C (consider de-rating)
<b>Stock Conditions</b>	10 °C to 60 °C
<b>Contact Resistance</b>	≤ 5mΩ
<b>Dielectric Strength</b>	3 kV, 50Hz, 1 min., dry
<b>Insulation Resistance</b>	> 10 <sup>9</sup> MΩ (500 V DC, 1 min.)
<b>Solderability</b>	235 °C, 3 sec. (Wave) 350 °C, 1 sec. (Soldering Iron)
<b>Soldering Heat Resistance</b>	260 °C, 5 sec.
<b>Minimum Cross Section</b>	Conducting path - 0.2mm <sup>2</sup>
<b>Marking</b>	598, 250 V
<b>Unit Weight</b>	4,9 g (598) / 3,6 g (585) / 3,4 g (586)

Note: 1.00 means the number one with two decimal places. 1.000 means the number one thousand.

### Ordering Information

Description	Ordering Number	Packaging
Cap, 5x20 mm	585 0000 000	Bulk 100
Cap, 2x25 mm	586 0000 000	Bulk 100
598 Series Holder	598 0000 000	Bulk 100

### Additional Information



Datasheet



Resources



Samples