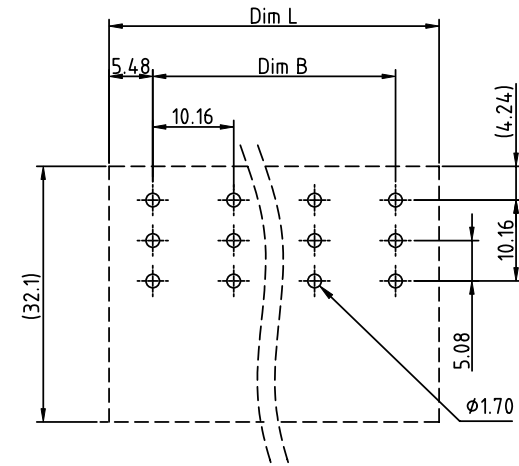
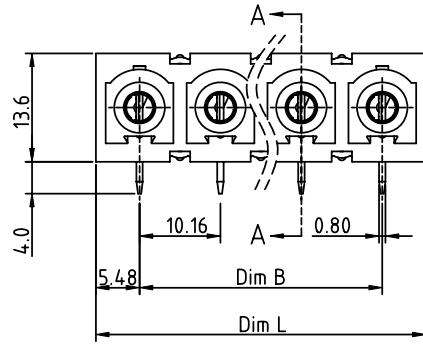
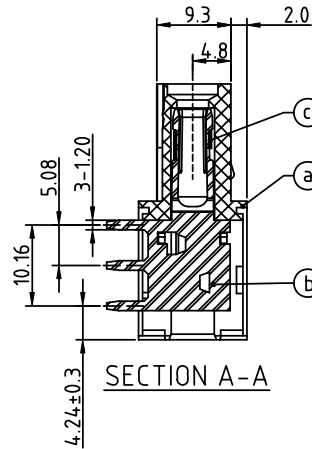
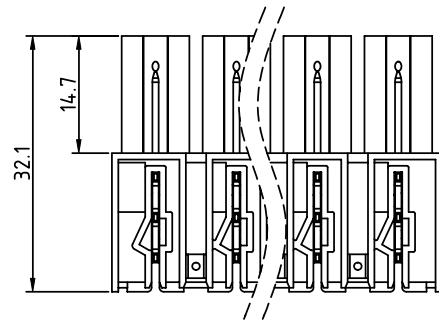


PRODUCT NUMBER	PITCH
KLxx61x100J0G	10.16 mm



RECOMMENDED P.C.B LAYOUT  
TOP VIEW



SECTION A-A

Material:

- Item Ⓐ Terminal(housing): Thermoplastic(UL94-V0)
- Item Ⓓ Pin: Copper Tin plated
- Item Ⓒ Wire guard :Stainless Steel

Electrical: cULus /IEC

- Voltage rating: 300V/1000V
- Current rating: 55A / 76A
- Withstanding Voltage:1.6 KV / 8 KV
- Operating temperature:-40°C to +115°C
- Soldering temperature:260°C±5°C/5 Sec
- Safety Approval:

DIMENSION

Dim L	$N \times 10.16 + 0.8$
Dim B	$(N-1) \times 10.16$

N=Number of poles

Poles	Tolerance
2p-6p	±0.25
7p-12p	±0.35

PART NO.: KL xx 61 x 1 00J0 G

- |              |   |                   |   |
|--------------|---|-------------------|---|
| Solid block  | 0 | Black (RAL9005)   | RoHS compliant (lead<4%)<br>In copper Alloy |
| No. of poles | 2 | Red (RAL3001/D)   |   |
| 02 2poles    | 3 | Orange(RAL2011/P) |   |
| 03 3poles    | 4 | Yellow(RAL1018/A) |   |
| ...          | 5 | Green(RAL6018/T)  |   |
| 12 12poles   | 6 | Blue (RAL5015/A)  |   |
|              | 8 | Grey(RAL7035/D)   |   |
|              | 9 | White(RAL1102)    |   |
|              | C | Green(RAL6018/U)  |   |

mat'l. code		surface ASME Y14.5	tolerance ASME Y14.5	projection	product family TERMINAL BLOCK	
ltr	ecn no	dr	date	 MM	title TERMINAL BLOCK PLUGGABLE PCB PLUG,RIGHT ANGLE UNDER PCB MOUNTING	
tolerances unless otherwise specified						scale
angles		X.±0.5			dwg no KLxx61x100J0G	
X°±1'		X.X±0.3				sheet 1 of 1
dr		EVIN ZHONG	050314			size A4
enr		EVIN ZHONG	050314			type CUSTOMER Drawing
chr		HANKE FENG	050314			
appd		SHI JUN	050314			
sheet index	revision	A				
	sheet	1				