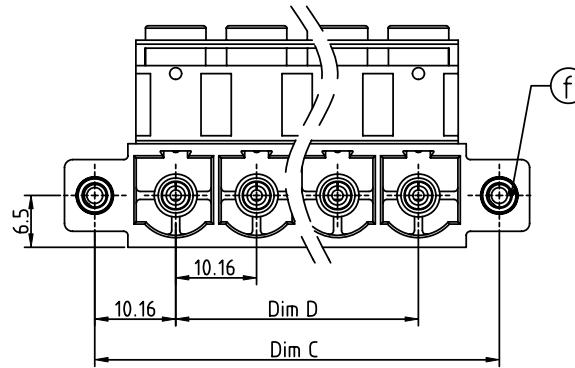
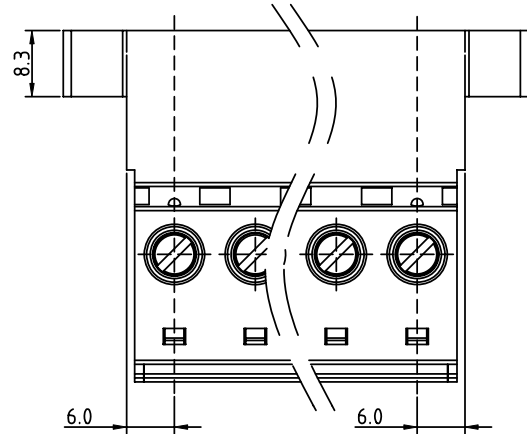


PRODUCT NUMBER	PITCH
KKxx61x300J0G	10.16 mm

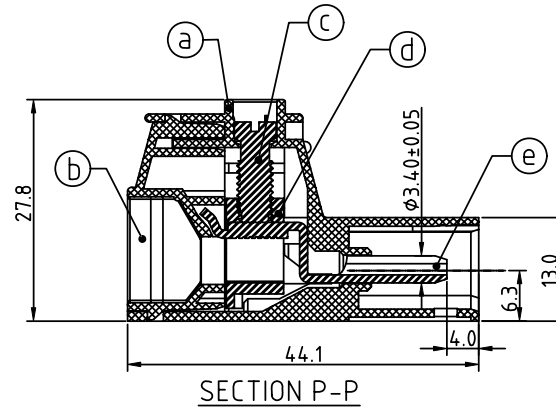
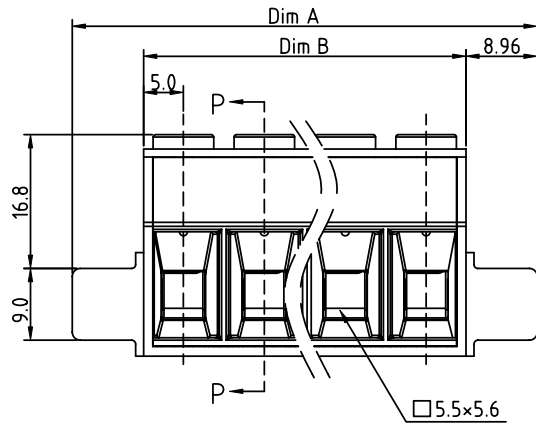


Material:

- Item (a) Terminal body: Thermoplastic (UL94V-0)
- Item (b) Terminal cover: Thermoplastic (UL94V-0)
- Item (c) Terminal screw: Steel Zinc plating "-" slot type
- Item (d) Clamp: Brass, Ni plated
- Item (e) Pin: Copper Gold plated
- Item (f) With flange nut: Steel Zinc plating M3

Electrical cULus

- Voltage rating: 300VAC
- Current rating: 55A
- Solid wire: 6-20
- Stranded wire: 6-20
- Torque: 18 Lb-In
- Screw: M4.5
- Wire strip length: 13-14mm
- Withstanding Voltage: 1.6KV
- Operating temperature: -40°C to +115°C
- Safety Approval:



N=Number of poles

Dim A	$N \times 10.16 + 17.76$
Dim B	$N \times 10.16 - 0.16$
Dim C	$(N-1) \times 10.16 + 20.32$
Dim D	$(N-1) \times 10.16$

Poles	Tolerance
2P-4P	±0.25
5P-7P	±0.30
8P-10P	±0.35
11P-12P	±0.45

PART NO.: **KK xx 61 x 3 00J0 G**

	Color	RoHS compliant (lead<4%) In copper Alloy
Solid block	0 Black (RAL9005)	
No. of poles	2 Red (RAL3001/D)	
02 2 poles	3 Orange (RAL2011/P)	
03 3 poles	4 Yellow (RAL1018/A)	
...	5 Green (RAL6018/T)	
12 12 poles	6 Blue (RAL5015/A)	
	8 Grey (RAL7035/D)	
	9 White (RAL1102)	
	C Green (RAL6018/U)	

mat'l. code		surface ASME Y14.5 ✓	tolerance ASME Y14.5	projection	product family
ltr ecn no dr date		tolerances unless otherwise specified		MM	TERMINAL BLOCK
		angles	X.±0.5		title
		X°±1'	X.X±0.3	TERMINAL BLOCK	
			X.XX±0.1	PLUGGABLE PLUG, FLANGE WITH NUT	
		dr	EVIN ZHONG 050614	scale	dwg no
		enr	EVIN ZHONG 050614	FCI	sheet 1 of 1
		chr	HANKE FENG 050614		size
		appd	SHI JUN 050614		KKxx61x300J0G
sheet index	revision sheet	A	1	type	CUSTOMER Drawing