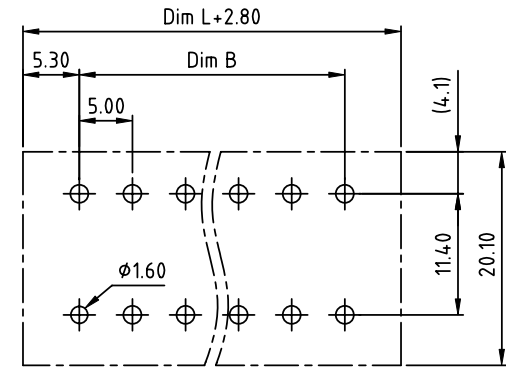
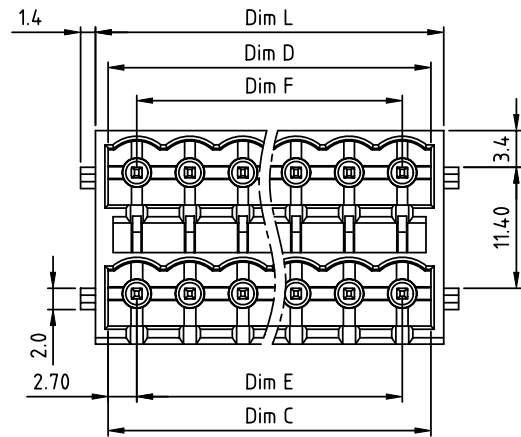
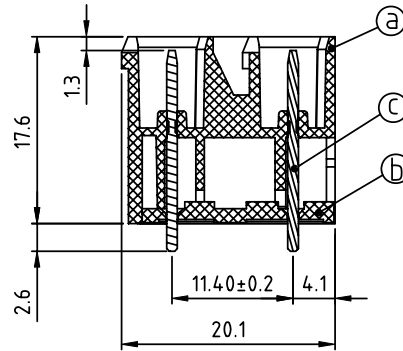
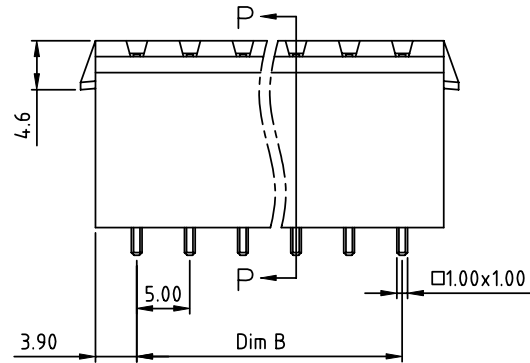


PRODUCT NUMBER	PITCH
KExx73x200J0G	5.00 mm



RECOMMENDED P.C.B LAYOUT
TOP VIEW



SECTION P-P

Material:

- Item ① Terminal(housing): Thermoplastic (UL94 V-0)
- Item ② Terminal(cover): Thermoplastic (UL94 V-0)
- Item ③ Pin: Copper Tin plated

Electrical:

- Voltage rating: 300V
- Current rating: 12A
- Withstanding Voltage: 1.6KV
- Operating temperature: -40°C to +115°C
- Soldering temperature: 260°C±5°C/5 Sec
- Safety Approval: cULus

PART NO.: KE xx 7 3 x 2 00J0 G

N=Number of poles

Dim L=(N/2)×5.0+2.8 Dim D=(N/2-1)×5.0+5.4

Dim B=(N/2-1)×5.0 Dim E=(N/2-1)×5.0

Dim C=(N/2-1)×5.0+5.4 Dim F=(N/2-1)×5.0

Poles	Dim L	Dim B	Dim C	Dim D	Dim E
2×2P-2×6P	±0.15	±0.15	+0.05 -0.05	+0.05 -0.05	±0.15
2×7P-2×12P	±0.25	±0.25	+0.10 -0.05	+0.10 -0.05	±0.25
2×13P-2×18P	±0.35	±0.35	+0.20 -0.05	+0.20 -0.05	±0.35
2×19P-2×24P	±0.40	±0.40	+0.25 -0.10	+0.25 -0.10	±0.40

	Solid block	No. of poles	Color	RoHS compliant (lead<4%) In copper Alloy
04	2x2poles	3	Black (RAL9005)	
06	2x3poles	4	Red (RAL3001/D)	
...	...	5	Orange(RAL2011/P)	
48	2x24poles	6	Yellow(RAL1018/A)	
		7	Green(RAL6018/T)	
		8	Blue (RAL5015/A)	
		9	Grey(RAL7035/D)	
		9	White(RAL1102)	
		C	Green(RAL6018/U)	

mat'l. code		surface ASME Y14.5	tolerance ASME Y14.5	projection	product family
ltr ecn no dr date		tolerances unless otherwise specified			TERMINAL BLOCK
		angles	X.±0.5	MM	title
		X°±1'	X.X±0.3		TERMINAL BLOCK
			X.XX±0.1	scale	PLUGGABLE SOCKET,VERTICAL,W/LATCH HOLDER
		dr	EVIN ZHONG 042414		dwg no
		enr	EVIN ZHONG 042414		sheet 1 of 1
		chr	HANKE FENG 042414		size
		appd	SHI JUN 042414		A4
sheet index	revision sheet	A	1		type CUSTOMER Drawing