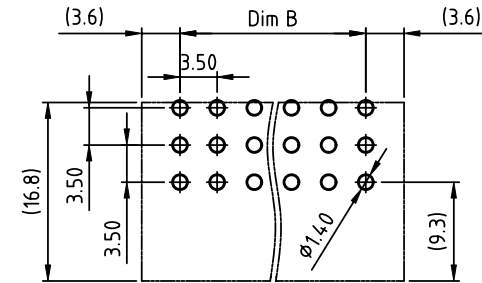
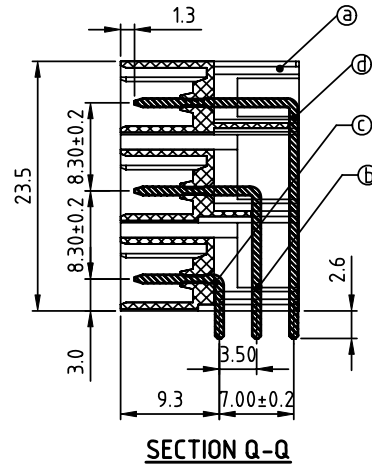
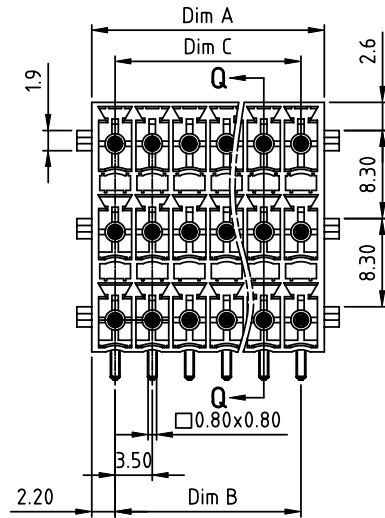
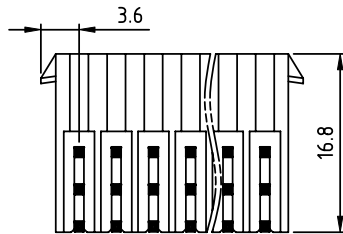


PRODUCT NUMBER	PITCH
K3xx13x1A0J0G	3.50 mm



RECOMMENDED P.C.B LAYOUT
TOP VIEW



DIMENSION

Dim A	(N/3-1) × 3.5+4.4
Dim B	(N/3-1) × 3.5
Dim C	(N/3-1) × 3.5
POLES	Tolerance
3x2P-3x6P	±0.15
3x7P-3x12P	±0.20
3x13P-3x18P	±0.25
3x19p-3x24p	±0.30

PART NO.: K3 xx 1 3 x 1 A0J0 G

Solid block	0	Black (RAL9005)	RoHS compliant (lead<4%) In copper Alloy
No. of poles	2	Red (RAL3001/D)	
06 3x2poles	3	Orange(RAL2011/P)	
09 3x3poles	4	Yellow(RAL1018/A)	
...	...	5 Green(RAL6018/T)	
72 3x24poles	6	Blue (RAL5015/A)	
	8	Grey(RAL7035/D)	
	9	White(RAL1102)	
	C	Green(RAL6018/U)	

Material:

- Itemⓐ Terminal(housing):Thermoplastic(UL94V-0)
- Itemⓑ Pin1: copper Tin plated
- Itemⓒ Pin2: copper Tin plated
- Itemⓓ Pin3: copper Tin plated

Electrical:

- Voltage rating: 160V
- Current rating: 5.5A
- Withstanding Voltage: 1.32 KV
- Operating temperature: -40°C to +115°C
- Soldering temperature: 260°C ±5°C/5 Sec
- Safety Approval: cULus

mat'l. code		surface ASME Y14.5	tolerance ASME Y14.5	projection	product family
ltr	ecn no	dr	date	⊕	TERMINAL BLOCK
				MM	title
				scale	TERMINAL BLOCK
				dr	PLUGGABLE SOCKET, WITH LATCH, RIGHT ANGLE
				enrg	dwg no
				chr	sheet 1 of 1 size
				appd	K3xx13x1A0J0G A4
				FCI	type
					CUSTOMER Drawing
sheet index	revision sheet	A	1		