

PRODUCT NUMBER	PITCH
HWxxA0x000J0G	7.50 mm

Dimension

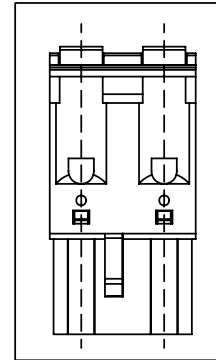
DIM L	$(N-1) \times 7.50 + 5.7$
DIM A	$(N-1) \times 7.50 + 5.0$
DIM B	$(N-1) \times 7.50$

N=Number of poles

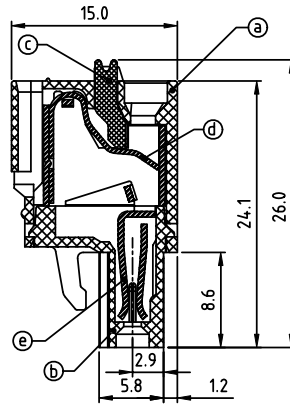
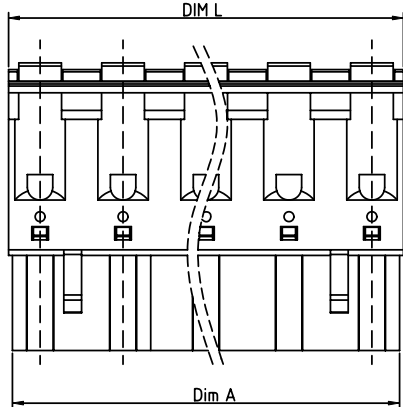
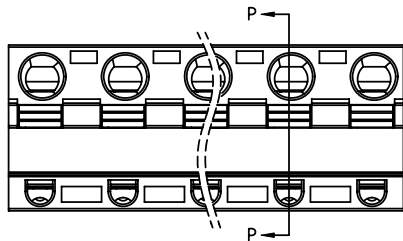
POLES	Tolerance
2p-6p	± 0.15
7p-12p	± 0.20
13p-16p	± 0.30

PART NO.: HW xx A0 x 0 00J0 G

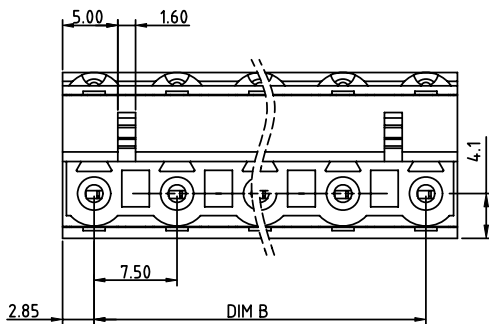
Solid block	0	Color	0 Black (RAL9005)	RoHS compliant
No. of poles	2		1 Red (RAL3001/D)	(lead<4%)
02 2 poles	3		2 Orange(RAL2011/P)	In copper Alloy
03 3 poles	4		3 Yellow(RAL1018/A)	
...	5		4 Green(RAL6018/T)	
...	6		5 Blue (RAL5015/A)	
16 16 poles	8		6 Grey(RAL7035/D)	
	9		7 White(RAL1102)	
	C		8 Green(RAL6018/U)	



2P mark



SECTION P-P



Material:

- Item@Top body:Thermoplastic (UL94V-0)
- Item@Bottom body:Thermoplastic (UL94V-0)
- Item@Terminal lever:Thermoplastic (UL94V-0) Orange(RAL2011/P)
- Item@Spring clamp:Stainless Steel
- Item@Female contact: PhBz (CuSn) Tin plated

Electrical

- Voltage rating: 300V
- Current rating: 10A
- Solid wire(AWG): 12-26
- Stranded wire(AWG): 12-26
- Wire strip length: 8-9mm
- Withstanding Voltage: 1.6KV
- Operating temperature: -40°C to +115°C
- Safety Approval:



mat'l. code		surface ASME Y14.5	tolerance ASME Y14.5	projection	product family TERMINAL BLOCK
ltr	ecn no	dr	date	 MM scale	title TERMINAL BLOCK SPRING CLAMP, PLUGGABLE PLUG CONTACT ON DOWN SIDE
					sheet 1 of 1 size HWxxA0x000J0G A4
					type CUSTOMER Drawing
sheet index	revision sheet	A	1		