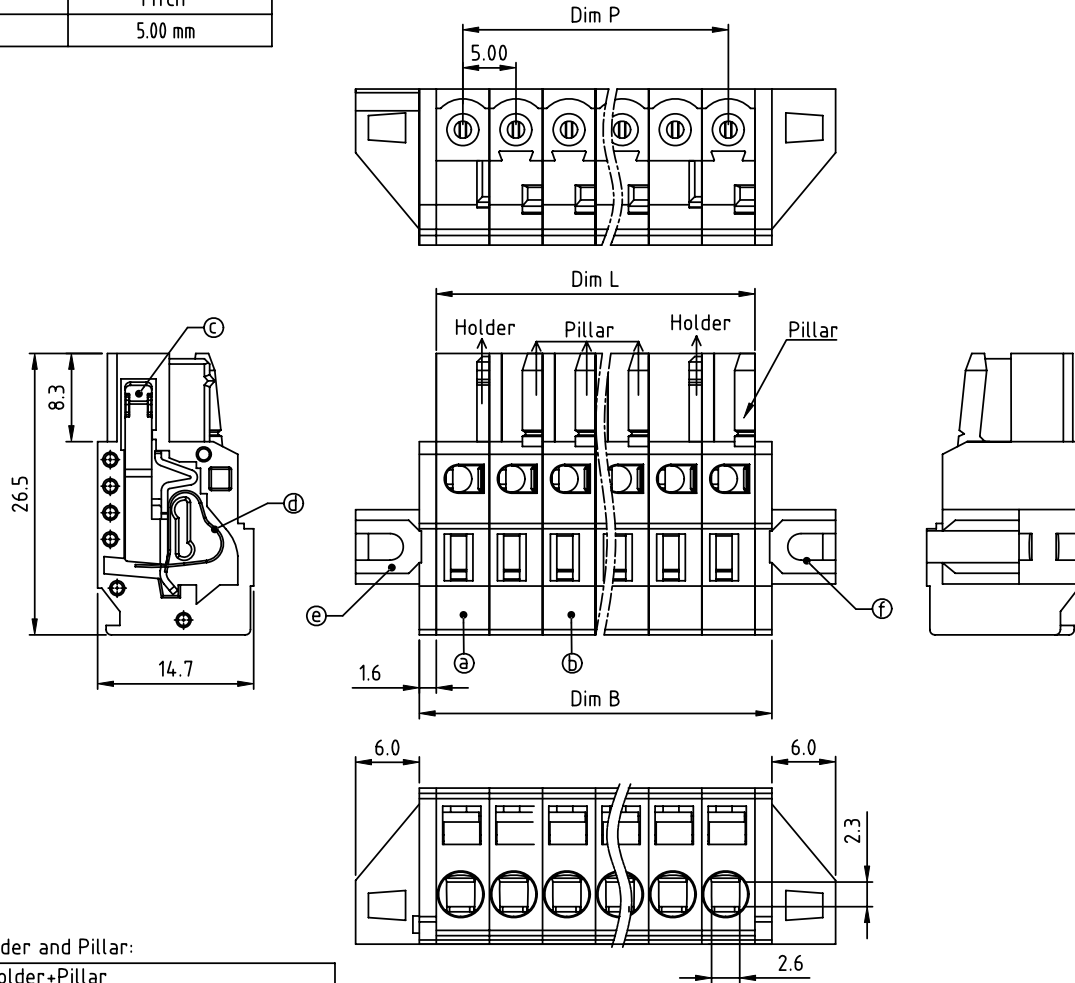


PRODUCT NUMBER	PITCH
Hlxx01x200J0G	5.00 mm



Layout of Holder and Pillar:

2P	Holder+Pillar
3P	Holder+Holder+Pillar
4P	Holder+Pillar+Holder+Pillar
5P	Holder+Pillar+Pillar+Holder+Pillar
5P over	Holder+Pillar+...+Pillar+Holder+Pillar

DIMENSION

Dim L=N×5.0
Dim P=(N-1)×5.0
Dim B=N×5.0+3.2

N=Number of poles

Poles	Tolerance
2P	±0.10
3P-6P	±0.15
7P-12P	±0.20
13P-18P	±0.30
19P-24P	±0.40

PART NO.: HI xx 01 x 2 00J0 G

End stackable 0	Color	RoHS compliant
No. of poles 2	Black (RAL9005)	(lead<4% In copper Alloy)
02 2 poles 3	Red (RAL3001/D)	
03 3 poles 4	Orange(RAL2011/P)	
... .. 5	Yellow(RAL1018/A)	
24 24 poles 6	Green(RAL6018/T)	
	Blue (RAL5015/A)	
	8 Grey(RAL7035/D)	
	9 White(RAL1102)	
	C Green(RAL6018/U)	

Material:

- ItemⒶ Terminal body(With holder): Thermoplastic (UL94V-0)
- ItemⒷ Terminal body(With pillar): Thermoplastic (UL94V-0)
- ItemⒸ Femlale contact: PhBz.Tin plated
- ItemⒹ Spring Clamp: Stainless steel
- ItemⒺ Left cover with flange: Thermoplastic (UL94V-0)
- ItemⒻ Right cover with flange: Thermoplastic (UL94V-0)

Electrical:

- Voltage rating: cULus 300 V
- Current rating: 8 A (mated with NC and NB series)
- Wire range:
- Solid wire(AWG): 12-28
- Stranded wire(AWG): 12-28
- Wire strip length: 8-9 mm
- Withstanding Voltage: 1.6KV
- Operating temperature: -40°C to +115°C

mat'l. code		surface ASME Y14.5 ✓	tolerance ASME Y14.5	projection ⊕	product family TERMINAL BLOCK
ltr	ecn no	dr	date	tolerances unless otherwise specified	title
				angles ⊕ ⊖ X±1°	TERMINAL BLOCK SPRING CLAMP, PLUGGABLE PLUG, WITH FLANGE, 100% PROTECTED AGAINST MISMATING
				scale	MM
dr	EVIN ZHONG	051414			dwg no
enr	EVIN ZHONG	051414			sheet 1 of 1
chr	HANKE FENG	051414			size
appd	SHI JUN	051414			A4
sheet index	revision sheet	A	1		type CUSTOMER Drawing