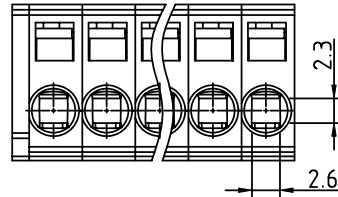
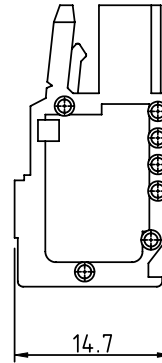
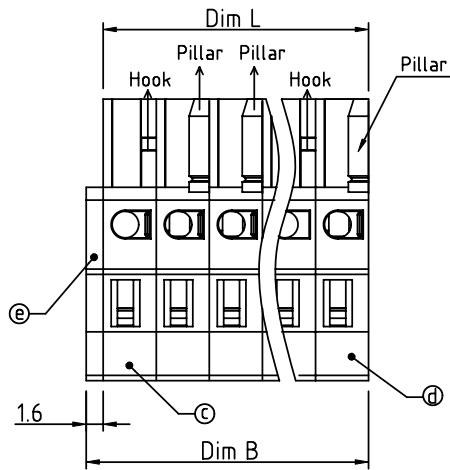
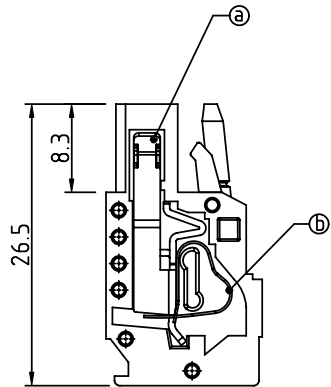
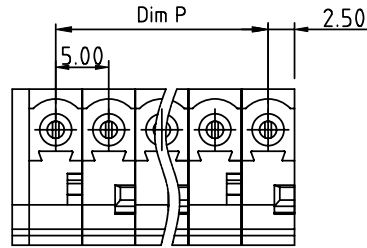


PRODUCT NUMBER	PITCH
Hlxx00x000J0G	5.00 mm



Layout of Hook and Pillar

2P	Hook+Pillar
3P	Hook+Hook+Pillar
4P	Hook+Pillar+Hook+Pillar
5P	Hook+Pillar+Pillar+Hook+Pillar
5P over	Hook+Pillar+...+Pillar+Hook+Pillar

DIMENSION

Dim L=N×5.0
Dim P=(N-1)×5.0
Dim B=N×5.0+1.6

N=Number of poles

Poles	Tolerance
2P	±0.10
3P-6P	±0.15
7P-12P	±0.20
13P-18P	±0.30
19P-24P	±0.40

PART NO.: HI xx 00 x 0 00J0 G

	Color	RoHS compliant
End stackable 0	Black (RAL9005)	(lead<4%)
No. of poles 2	Red (RAL3001/D)	In copper Alloy
02 2 poles 3	Orange(RAL2011/P)	
03 3 poles 4	Yellow(RAL1018/A)	
... .. 5	Green(RAL6018/T)	
24 24 poles 6	Blue (RAL5015/A)	
	8 Grey(RAL7035/D)	
	9 White(RAL1102)	
	C Green(RAL6018/U)	

Material:

- Item①Female contact: PhBz Tin plated
- Item②Spring Clamp: Stainless steel
- Item③Terminal housing (With hook): Thermoplastic (UL94V-0)
- Item④Terminal housing (With Pillar): Thermoplastic (UL94V-0)
- Item⑤Terminal (cover): Thermoplastic (UL94V-0)

Electrical cULus

- Voltage rating:300V
- Current rating:15A (mated with 0Q series)
8A (mated with NC and NB series)
- Wire range:
 - Solid wire(AWG):12-28
 - Stranded wire(AWG):12-28
 - Wire strip length: 8-9mm
- Withstanding Voltage:1.6KV
- Operating temperature:-40°C to +115°C
- Safety approval: cULus

mat'l. code		surface ASME Y14.5	tolerance ASME Y14.5	projection	product family
ltr	ecn no	dr	date	MM	TERMINAL BLOCK
tolerances unless otherwise specified				MM	title
angles	0.1	0.1	0.1	MM	TERMINAL BLOCK
	X.±0.5	X.X±0.3	X.XX±0.1	scale	SPRING CLAMP,PLUGGABLE PLUG
dr	EVIN ZHONG	051414		dwg no	sheet 1 of 1 size
enr	EVIN ZHONG	051414		Hlxx00x000J0G	A4
chr	HANKE FENG	051414		type	CUSTOMER Drawing
appd	SHI JUN	051414			
sheet index	revision	A	1		