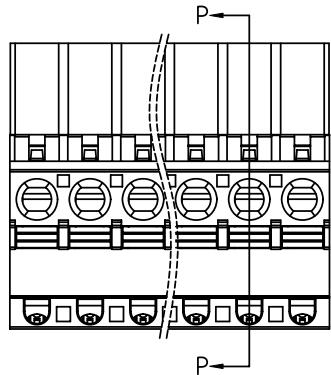


PRODUCT NUMBER	PITCH
H4xx70xB00J0G	5.00 mm



Dimension

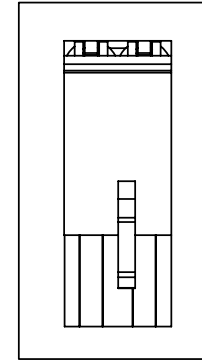
DIM A	N×5.0+0.10
DIM B	(N-1)×5.0

N=Number of poles

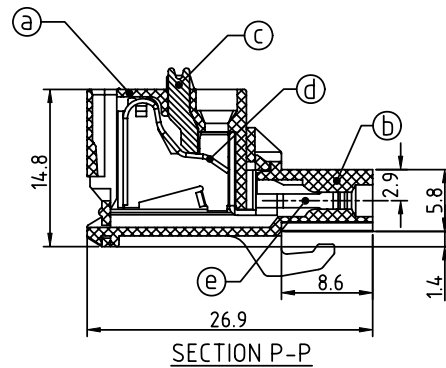
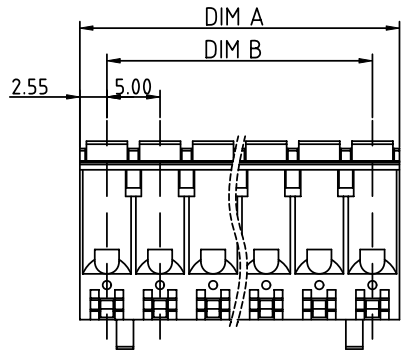
POLES	Tolerance
2p-6p	±0.15
7p-12p	±0.25
13p-16p	±0.35
17p-24p	±0.40

PART NO.: H4 xx 7 0 x B 00J 0 G

Solid block	0	Black (RAL9005)	RoHS compliant (lead<4%) In copper Alloy
No. of poles	2	Red (RAL3001/D)	
02 2 poles	3	Orange(RAL2011/P)	
03 3 poles	4	Yellow(RAL1018/A)	
...	...	5 Green(RAL6018/T)	
24 24 poles	6	Blue (RAL5015/A)	
	8	Grey(RAL7035/D)	
	9	White(RAL1102)	
	C	Green(RAL6018/U)	



2P



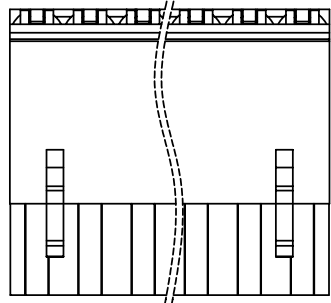
SECTION P-P

Material:

- Item(a) Top body:Thermoplastic ( UL94V-0 )
- Item(b) Bottom body:Thermoplastic ( UL94V-0 )
- Item(c) Terminal lever:Thermoplastic ( UL94V-0 ) Orange (RAL2001/P)
- Item(d) Spring Clamp:Stainless Steel
- Item(e) Female contact:PhBz ( CuSn ) Tin plated

Electrical cULus

- Voltage rating:300V
- Current rating:10A
- Solid wire(AWG):12-26
- Stranded wire(AWG):12-26
- Wire strip length:9-10mm
- Withstanding Voltage:1.6KV
- Operating temperature:-40°C to +115°C
- Safety Approval:



mat'l. code		surface ASME Y14.5	tolerance ASME Y14.5	projection 	product family TERMINAL BLOCK	
ltr	ecn no	dr	date	MM 	title TERMINAL BLOCK SPRING CLAMP, PLUGGABLE PLUG HOOK ON BACK SIDE	
tolerances unless otherwise specified						scale
angles		X.±0.5			dwg no H4xx70xB00J0G	
X°±1'		X.X±0.3				sheet 1 of 1
X.XX±0.1		X.XX±0.1				size A4
dr		EVIN ZHONG 051614		type CUSTOMER Drawing		
enr		EVIN ZHONG 051614				
chr		HANKE FENG 051614				
appd		SHI JUN 051614				
sheet index	revision	A				
	sheet	1				