

PRODUCT NUMBER	PITCH
H4xx70xA00J0G	5.00 mm

Dimension

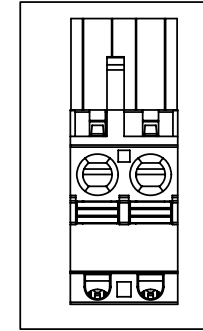
DIM A	$N \times 5.0 \pm 0.10$
DIM B	$(N-1) \times 5.0$

N=Number of poles

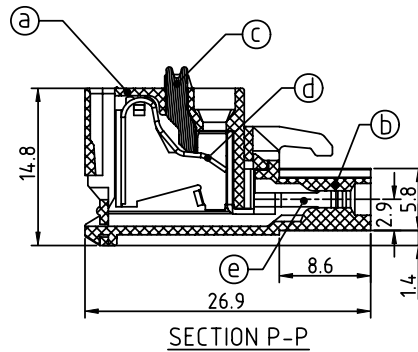
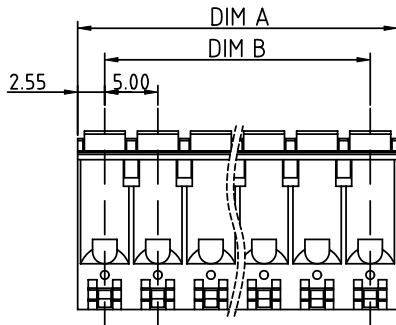
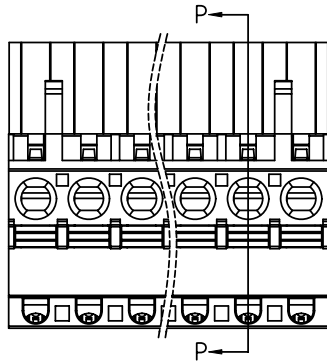
POLES	Tolerance
2p-6p	± 0.15
7p-12p	± 0.25
13p-16p	± 0.35
17p-24p	± 0.40

PART NO.: H4 xx 7 0 x A 00J0 G

Solid block	0	Black (RAL9005)	RoHS compliant (lead<4%) In copper Alloy	
No. of poles	2	Red (RAL3001/D)		
02	2 poles	3		Orange(RAL2011/P)
03	3 poles	4		Yellow(RAL1018/A)
...	...	5		Green(RAL6018/T)
24	24 poles	6		Blue (RAL5015/A)
		8		Grey(RAL7035/D)
		9		White(RAL1102)
		C		Green(RAL6018/U)



2P



SECTION P-P

Material:

- Item(a) Top body:Thermoplastic (UL94V-0)
- Item(b) Bottom body:Thermoplastic (UL94V-0)
- Item(c) Terminal lever:Thermoplastic (UL94V-0) Orange (RAL2001/P)
- Item(d) Spring Clamp:Stainless Steel
- Item(e) Female contact:PhBz (CuSn) Tin plated

Electrical cULus

- Voltage rating:300V
- Current rating:10A
- Solid wire(AWG):12-26
- Stranded wire(AWG):12-26
- Wire strip length:9-10mm
- Withstanding Voltage:1.6KV
- Operating temperature:-40°C to +115°C
- Safety Approval:

mat'l. code		surface ASME Y14.5 ✓	tolerance ASME Y14.5	projection 	product family TERMINAL BLOCK	
ltr	ecn no	dr	date	tolerances unless otherwise specified		title TERMINAL BLOCK SPRING CLAMP, PLUGGABLE PLUG HOOK ON ENTRY SIDE
				angles $X \pm 0.5$	MM	
				$X.X \pm 0.3$	scale	dwg no H4xx70xA00J0G
				$X.XX \pm 0.1$	sheet 1 of 1	
		dr	EVIN ZHONG	051614		size A4
		enr	EVIN ZHONG	051614		
		chr	HANKE FENG	051614		
		appd	SHI JUN	051614		
sheet index	revision sheet	A	1			type CUSTOMER Drawing