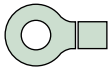
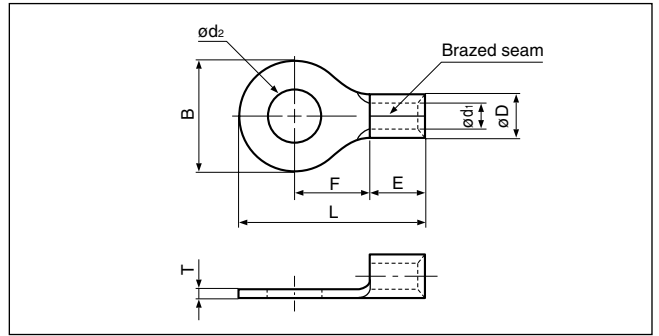


Solderless terminals



# RING TONGUE (R type) Non-insulated



Certificate No.: E42024 LR20812 JQ0608019  
 JQID08002

| Applicable Wire<br>AWG#(mm <sup>2</sup> ) | Stud size |         | Part No.  |             | Standard    | Dimensions mm (in.) |             |             |             |               |               |                 |               | Tool No.                                      | Qty/box |
|---|-----------|---------|-----------|-------------|-------------|---------------------|-------------|-------------|-------------|---------------|---------------|-----------------|---------------|---|---------|
|   | American  | Metric  | JST       | JIS         |             | ød <sub>2</sub>     | B           | L           | F           | E             | øD            | ød <sub>1</sub> | T             |   |         |
| 26 to 22<br>(0.2 to 0.5)                  | 1-2       | 2       | 0.5-2     |             |             | 2.2 (.087)          | 5.2 (.205)  | 12.4 (.488) | 5.8 (.228)  | 4.0<br>(.157) | 2.0<br>(.079) | 1.0<br>(.039)   | 0.5<br>(.020) | YHT-2622<br>YA-1<br>YA-2<br>BCT-0514L         | 1,000   |
|   | 3-4       | 3       | 0.5-3     |             |             | 3.2 (.126)          | 5.2 (.205)  | 12.4 (.488) | 5.8 (.228)  |               |               |                 |               |   |         |
|   | 5-6       | 3.5     | 0.5-3.7   |             |             | 3.7 (.146)          | 6.6 (.260)  | 15.0 (.591) | 7.7 (.303)  |               |               |                 |               |   |         |
|   | 8         | 4       | 0.5-4     |             |             | 4.3 (.169)          | 6.6 (.260)  | 15.0 (.591) | 7.7 (.303)  |               |               |                 |               |   |         |
|   | 10        | 5       | 0.5-5     |             |             | 5.3 (.209)          | 8.0 (.315)  | 15.0 (.591) | 7.0 (.276)  |               |               |                 |               |   |         |
| 22 to 16<br>(0.25 to 1.65)                | 1-2       | 2       | 1.25-2    |             |             | 2.2 (.087)          | 5.5 (.217)  | 11.5 (.453) | 4.0 (.157)  | 4.8<br>(.189) | 3.4<br>(.134) | 1.7<br>(.067)   | 0.8<br>(.031) | YHT-2210<br>YA-1<br>YA-2<br>YA-4<br>BCT-0514L | 1,000   |
|   | 3-4       | 3       | 1.25-3    | *R1.25-3    |             |                     | 3.2 (.126)  | 5.5 (.217)  | 11.5 (.453) |               |               |                 |               |   |         |
|   | 3-4       | 3       | 1.25-MS3  |             |             | 3.2 (.126)          | 5.5 (.217)  | 13.2 (.520) | 5.6 (.220)  |               |               |                 |               |   |         |
|   | 3-4       | 3       | 1.25-M3.3 |             |             | 3.2 (.126)          | 6.6 (.260)  | 14.4 (.567) | 6.3 (.248)  |               |               |                 |               |   |         |
|   | 3-4       | 3       | 1.25-L3   |             |             | 3.2 (.126)          | 8.0 (.315)  | 15.8 (.622) | 7.0 (.276)  |               |               |                 |               |   |         |
|   | 5-6       | 3.5     | 1.25-3.7  |             |             | 3.7 (.146)          | 5.5 (.217)  | 11.5 (.453) | 4.0 (.157)  |               |               |                 |               |   |         |
|   | 5-6       | 3.5     | 1.25-P3.5 |             |             | 3.7 (.146)          | 5.5 (.217)  | 13.9 (.547) | 6.3 (.248)  |               |               |                 |               |   |         |
|   | 5-6       | 3.5     | 1.25-M3   | R1.25-3.5   |             |                     | 3.7 (.146)  | 6.6 (.260)  | 14.4 (.567) |               |               |                 |               |   |         |
|   | 5-6       | 3.5     | 1.25-L3.7 |             |             | 3.7 (.146)          | 8.0 (.315)  | 15.8 (.622) | 7.0 (.276)  |               |               |                 |               |   |         |
|   | 8         | 4       | 1.25-M4   |             |             | 4.3 (.169)          | 6.6 (.260)  | 14.4 (.567) | 6.3 (.248)  |               |               |                 |               |   |         |
|   | 8         | 4       | 1.25-4    | *R1.25-4    |             | 4.3 (.169)          | 8.0 (.315)  | 15.8 (.622) | 7.0 (.276)  |               |               |                 |               |   |         |
|   | 10        | 5       | 1.25-5    | *R1.25-5    |             |                     | 5.3 (.209)  | 8.0 (.315)  | 15.8 (.622) |               |               |                 |               |   |         |
|   | 10        | 5       | 1.25-5NS  |             |             | 5.3 (.209)          | 9.0 (.354)  | 20.4 (.803) | 11.1 (.437) |               |               |                 |               |   |         |
|   | 10        | 5       | 1.25-L5   |             |             | 5.3 (.209)          | 11.6 (.457) | 21.7 (.854) | 11.1 (.437) |               |               |                 |               |   |         |
|   | 1/4       | 6       | 1.25-6    |             |             | 6.4 (.252)          | 11.6 (.457) | 21.7 (.854) | 11.1 (.437) |               |               |                 |               |   |         |
|   | 5/16      | 8       | 1.25-8    |             |             | 8.4 (.331)          | 11.6 (.457) | 21.7 (.854) | 11.1 (.437) |               |               |                 |               |   |         |
| 3/8                                       | 9         | 1.25-9  |           |             | 9.8 (.386)  | 13.6 (.535)         | 25.5(1.004) | 13.9 (.547) |             |               |               |                 |               |   |         |
| 3/8                                       | 10        | 1.25-10 |           |             | 10.5 (.413) | 13.6 (.535)         | 25.5(1.004) | 13.9 (.547) |             |               |               |                 |               |   |         |
| 1/2                                       | 12        | 1.25-12 |           |             | 13.0 (.512) | 19.0 (.748)         | 31.0(1.220) | 16.7 (.657) |             |               |               |                 |               |   |         |
| 16 to 14<br>(1.04 to 2.63)                | 1-2       | 2       | 2-S2      |             |             | 2.2 (.087)          | 6.4 (.252)  | 12.3 (.484) | 4.3 (.169)  | 4.8<br>(.189) | 4.1<br>(.161) | 2.3<br>(.091)   | 0.8<br>(.031) | YHT-2210<br>YA-1<br>YA-2<br>YA-4<br>BCT-0514L | 1,000   |
|   | 3-4       | 3       | 2-MS3     |             |             | 3.2 (.126)          | 5.5 (.217)  | 13.2 (.520) | 5.6 (.220)  |               |               |                 |               |   |         |
|   | 3-4       | 3       | 2-S3.3    |             |             | 3.2 (.126)          | 6.4 (.252)  | 12.3 (.484) | 4.3 (.169)  |               |               |                 |               |   |         |
|   | 3-4       | 3       | 2-M3.3    |             |             | 3.2 (.126)          | 6.6 (.260)  | 14.4 (.567) | 6.3 (.248)  |               |               |                 |               |   |         |
|   | 3-4       | 3       | 2-3       |             |             | 3.2 (.126)          | 8.5 (.335)  | 16.8 (.661) | 7.8 (.307)  |               |               |                 |               |   |         |
|   | 5-6       | 3.5     | 2-MS3.5   |             |             | 3.7 (.146)          | 5.5 (.217)  | 13.9 (.547) | 6.3 (.248)  |               |               |                 |               |   |         |
|   | 5-6       | 3.5     | 2-S3      |             |             |                     | 3.7 (.146)  | 6.4 (.252)  | 12.3 (.484) |               |               |                 |               |   |         |
|   | 5-6       | 3.5     | 2-M3      | *R2-3.5     |             | 3.7 (.146)          | 6.6 (.260)  | 14.4 (.567) | 6.3 (.248)  |               |               |                 |               |   |         |
|   | 5-6       | 3.5     | 2-P3.5    |             |             | 3.7 (.146)          | 7.0 (.276)  | 16.0 (.630) | 7.7 (.303)  |               |               |                 |               |   |         |
|   | 5-6       | 3.5     | 2-3.7     |             |             | 3.7 (.146)          | 8.5 (.335)  | 16.8 (.661) | 7.8 (.307)  |               |               |                 |               |   |         |
|   | 8         | 4       | 2-M4      |             |             | 4.3 (.169)          | 6.6 (.260)  | 14.4 (.567) | 6.3 (.248)  |               |               |                 |               |   |         |
|   | 8         | 4       | 2-P4      |             |             | 4.3 (.169)          | 7.0 (.276)  | 16.0 (.630) | 7.7 (.303)  |               |               |                 |               |   |         |
|   | 8         | 4       | 2-4       | *R2-4       |             |                     | 4.3 (.169)  | 8.5 (.335)  | 16.8 (.661) |               |               |                 |               |   |         |
|   | 10        | 5       | 2-M5      |             |             | 5.3 (.209)          | 8.5 (.335)  | 16.8 (.661) | 7.8 (.307)  |               |               |                 |               |   |         |
|   | 10        | 5       | 2-5NS     |             |             |                     | 5.3 (.209)  | 9.0 (.354)  | 20.3 (.799) |               |               |                 |               |   |         |
|   | 10        | 5       | 2-5       | *R2-5       |             | 5.3 (.209)          | 9.5 (.374)  | 16.8 (.661) | 7.3 (.287)  |               |               |                 |               |   |         |
|   | 1/4       | 6       | 2-6       | R2-6        |             |                     | 6.4 (.252)  | 12.0 (.472) | 21.8 (.858) |               |               |                 |               |   |         |
|   | 5/16      | 8       | 2-8       | R2-8        |             | 8.4 (.331)          | 12.0 (.472) | 21.8 (.858) | 11.0 (.433) |               |               |                 |               |   |         |
|   | 3/8       | 9       | 2-9       |             |             | 9.8 (.386)          | 13.6 (.535) | 25.5(1.004) | 13.9 (.547) |               |               |                 |               |   |         |
|   | 3/8       | 10      | 2-10      |             |             | 10.5 (.413)         | 13.6 (.535) | 25.5(1.004) | 13.9 (.547) |               |               |                 |               |   |         |
| 1/2                                       | 12        | 2-12    |           | 13.0 (.512) |             | 19.0 (.748)         | 31.0(1.220) | 16.7 (.675) |             |               |               |                 |               |   |         |
| 1/2                                       | 14        | 2-14    |           |             | 15.0 (.591) | 27.0(1.063)         | 39.5(1.555) | 21.2 (.835) |             |               |               |                 |               |   |         |
| 5/8                                       | 16        | 2-16    |           |             | 17.0 (.669) | 27.0(1.063)         | 39.5(1.555) | 21.2 (.835) |             |               |               |                 |               |   |         |
| 3/4                                       | 20        | 2-20    |           |             | 21.0 (.827) | 27.0(1.063)         | 39.5(1.555) | 21.2 (.835) |             |               |               |                 |               |   |         |

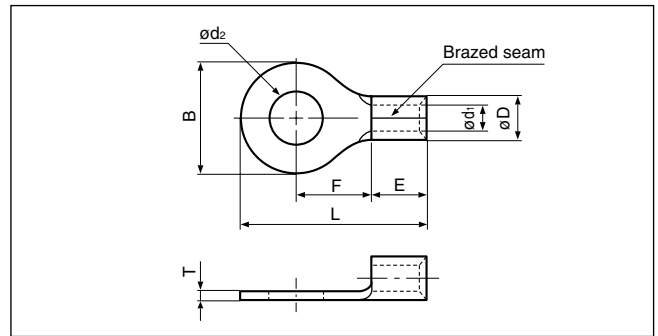
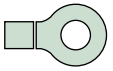
Note:1) Products with the JIS mark conform to JIS C2805.

2) The part numbers indicated in the above table are for products with a brazed seam.

When ordering products with a nominal size of 0.5 to 5.5 with a butted seam, add the prefix "WS" to the part number (ex.2-4 -->**WS2-4**).

3) Delivery lead times may vary depending on the product. Contact JST for details.

4) The product with "\*" marking contains JIS recognition number of JQID08002.



| Applicable Wire<br>AWG#(mm <sup>2</sup> ) | Stud size |        | Part No. |         | Standard    | Dimensions mm (in.) |             |             |               |               |               |               |               | Tool No.                                      | Qty/box     |            |
|---|-----------|--------|----------|---------|-------------|---------------------|-------------|-------------|---------------|---------------|---------------|---------------|---------------|---|-------------|------------|
|   | American  | Metric | JST      | JIS     |             | $\phi d_2$          | B           | L           | F             | E             | $\phi D$      | $\phi d_1$    | T             |   |             |            |
| 14 to 12<br>(3.5)                         | 3-4       | 3      | 3.5-R3   |         | ④ ⑤         | 3.2 (.126)          | 8.0 (.315)  | 17.8 (.707) | 9.0 (.354)    | 4.8<br>(.189) | 4.8<br>(.189) | 2.7<br>(.106) | 1.0<br>(.039) | YHT-2210<br>(Dies mark. 5)<br>BCT-0514L       | 1,000       |            |
|   | 8         | 4      | 3.5-R4   |         |             | 4.3 (.169)          | 8.0 (.315)  | 17.8 (.707) | 9.0 (.354)    |               |               |               |               |   |             |            |
|   | 8         | 4      | 3.5-4    |         |             | 4.3 (.169)          | 10.3 (.406) | 18.6 (.732) | 8.6 (.339)    |               |               |               |               |   |             |            |
|   | 10        | 5      | 3.5-R5   |         |             | 5.3 (.209)          | 8.0 (.315)  | 17.8 (.707) | 9.0 (.354)    |               |               |               |               |   |             |            |
|   | 10        | 5      | 3.5-5    |         |             | 5.3 (.209)          | 10.3 (.406) | 18.6 (.732) | 8.6 (.339)    |               |               |               |               |   |             |            |
| 12 to 10<br>(2.63 to<br>6.64)             | 3-4       | 3      | 5.5-S3.3 |         | ④ ⑤         | 3.2 (.126)          | 7.2 (.283)  | 15.7 (.618) | 5.9 (.232)    | 6.2 (.244)    | 5.6<br>(.220) | 3.4<br>(.134) | 1.0<br>(.039) | YHT-2210<br>YA-1<br>YA-2<br>YA-4<br>BCT-0514L | 500         |            |
|   | 3-4       | 3      | 5.5-3    |         |             | 3.2 (.126)          | 9.5 (.374)  | 19.8 (.780) | 8.3 (.327)    |               |               |               |               |   |             | 6.8 (.268) |
|   | 5-6       | 3.5    | 5.5-S3   |         |             | 3.7 (.146)          | 7.2 (.283)  | 15.7 (.618) | 5.9 (.232)    |               |               |               |               |   |             | 6.2 (.244) |
|   | 5-6       | 3.5    | 5.5-3.7  |         |             | 3.7 (.146)          | 9.5 (.374)  | 19.8 (.780) | 8.3 (.327)    |               |               |               |               |   |             | 6.8 (.268) |
|   | 8         | 4      | 5.5-S4   |         | 4.3 (.169)  | 7.2 (.283)          | 15.7 (.618) | 5.9 (.232)  | 6.2 (.244)    | 6.8<br>(.268) | 5.6<br>(.220) | 3.4<br>(.134) | 1.0<br>(.039) |   | 500         |            |
|   | 8         | 4      | 5.5-4NS  |         | 4.3 (.169)  | 8.0 (.315)          | 19.1 (.752) | 8.3 (.327)  |               |               |               |               |               |   |             |            |
|   | 8         | 4      | 5.5-4    | *R5.5-4 | ④ ⑤ ⑥       | 4.3 (.169)          | 9.5 (.374)  | 19.8 (.780) | 8.3 (.327)    |               |               |               |               |   |             |            |
|   | 10        | 5      | 5.5-5NS  |         | ④ ⑤ ⑥       | 5.3 (.209)          | 8.0 (.315)  | 19.1 (.752) | 8.3 (.327)    |               |               |               |               |   |             |            |
|   | 10        | 5      | 5.5-5    | *R5.5-5 | ④ ⑤ ⑥       | 5.3 (.209)          | 9.5 (.374)  | 19.8 (.780) | 8.3 (.327)    | 6.8<br>(.268) | 5.6<br>(.220) | 3.4<br>(.134) | 1.0<br>(.039) |   | 500         |            |
|   | 10        | 5      | 5.5-S5   |         | ④ ⑤ ⑥       | 5.3 (.209)          | 13.2 (.520) | 22.4 (.882) | 9.0 (.354)    |               |               |               |               |   |             |            |
|   | 1/4       | 6      | 5.5-6NS  |         | ④ ⑤ ⑥       | 6.4 (.252)          | 9.0 (.354)  | 24.3 (.957) | 13.0 (.512)   |               |               |               |               |   |             |            |
|   | 1/4       | 6      | 5.5-6    | *R5.5-6 | ④ ⑤ ⑥ ⑦     | 6.4 (.252)          | 12.0 (.472) | 25.8(1.016) | 13.0 (.512)   |               |               |               |               |   |             |            |
|   | 1/4       | 6      | 5.5-S6   |         | ④ ⑤ ⑥       | 6.4 (.252)          | 13.2 (.520) | 22.4 (.882) | 9.0 (.354)    | 6.8<br>(.268) | 5.6<br>(.220) | 3.4<br>(.134) | 1.0<br>(.039) | 500   |             |            |
|   | 1/4       | 6      | 5.5-L6   |         |             | 6.4 (.252)          | 15.0 (.591) | 28.0(1.102) | 13.7 (.539)   |               |               |               |               |   |             |            |
|   | 5/16      | 8      | 5.5-S8   |         |             | 8.4 (.331)          | 13.2 (.520) | 22.4 (.882) | 9.0 (.354)    |               |               |               |               |   |             |            |
|   | 5/16      | 8      | 5.5-8    | *R5.5-8 |             | ④ ⑤ ⑥ ⑦             | 8.4 (.331)  | 15.0 (.591) | 28.0(1.102)   |               |               |               |               |   | 13.7 (.539) |            |
|   | 3/8       | 9      | 5.5-9    |         | ④ ⑤ ⑥       | 9.8 (.386)          | 15.0 (.591) | 28.0(1.102) | 13.7 (.539)   | 6.8<br>(.268) | 5.6<br>(.220) | 3.4<br>(.134) | 1.0<br>(.039) | 500   |             |            |
|   | 3/8       | 10     | 5.5-10   | R5.5-10 | ④ ⑤ ⑥ ⑦     | 10.5 (.413)         | 15.0 (.591) | 28.0(1.102) | 13.7 (.539)   |               |               |               |               |   |             |            |
|   | 1/2       | 12     | 5.5-12   |         | ④ ⑤ ⑥ ⑦     | 13.0 (.512)         | 19.2 (.756) | 32.4(1.276) | 16.0 (.630)   |               |               |               |               |   |             |            |
|   | 1/2       | 14     | 5.5-14   |         | ④ ⑤ ⑥ ⑦     | 15.0 (.591)         | 32.0(1.260) | 48.1(1.894) | 25.3 (.996)   |               |               |               |               |   |             |            |
| 5/8                                       | 16        | 5.5-16 |          | ④ ⑤ ⑥   | 17.0 (.669) | 32.0(1.260)         | 48.1(1.894) | 25.3 (.996) | 6.8<br>(.268) | 5.6<br>(.220) | 3.4<br>(.134) | 1.0<br>(.039) | 200           |   |             |            |
| 11/16                                     | 18        | 5.5-18 |          |         | 19.0 (.748) | 32.0(1.260)         | 48.1(1.894) | 25.3 (.996) |               |               |               |               |               |   |             |            |
| 3/4                                       | 20        | 5.5-20 |          |         | 21.0 (.827) | 32.0(1.260)         | 48.1(1.894) | 25.3 (.996) |               |               |               |               |               |   |             |            |

Note:1) Products with the JIS mark ④ conform to JIS C2805.

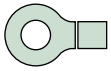
2) The part numbers indicated in the above table are for products with a brazed seam.

When ordering products with a nominal size of 0.5 to 5.5 with a butted seam, add the prefix "WS" to the part number (ex.5.5-4 → WS5.5-4).

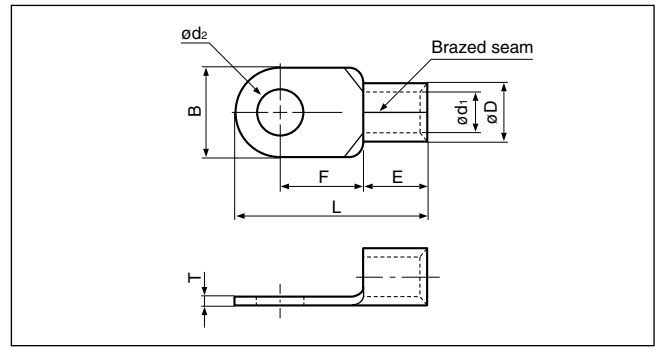
3) Delivery lead times may vary depending on the product. Contact JST for details.

4) The product with "\*" marking contains JIS recognition number of JQID08002.

Solderless terminals

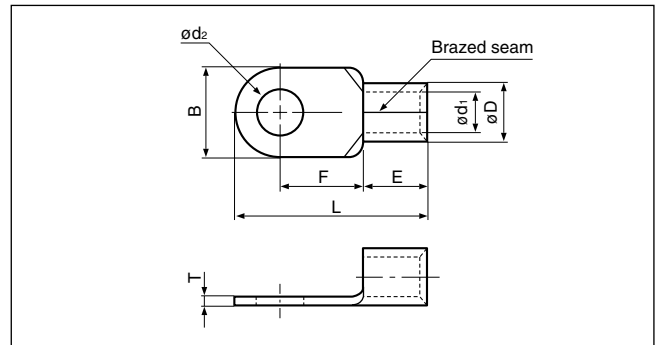
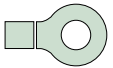


**RING TONGUE (R type) Non-insulated**



| Applicable Wire<br>AWG#(mm <sup>2</sup> ) | Stud size |        | Part No. |        | Standard    | Dimensions mm (in.) |             |             |             |            |               |                 | Tool No.      | Qty/box   |       |
|---|-----------|--------|----------|--------|-------------|---------------------|-------------|-------------|-------------|------------|---------------|-----------------|---------------|---|-------|
|   | American  | Metric | JST      | JIS    |             | ød <sub>2</sub>     | B           | L           | F           | E          | øD            | ød <sub>1</sub> |               |   | T     |
| 8<br>(6.64 to<br>10.52)                   | 8         | 4      | 8-NK4    |        |             | 4.3 (.169)          | 9.0 (.354)  | 16.5 (.650) | 5.8 (.228)  | 6.2 (.244) | 7.1<br>(.280) | 4.5<br>(.177)   | 1.2<br>(.047) | YA-4<br>YPT-60N<br>YF-1 YET-60-1<br>E-4<br>(Note 2)   | 500   |
|   | 8         | 4      | 8-4NS    |        |             | 4.3 (.169)          | 8.0 (.315)  | 21.8 (.858) | 9.3 (.366)  | 8.5 (.335) |               |                 |               | YHT-8S<br>YA-4, YA-5<br>YPT-60N<br>YPT-150-1<br>BCT-0514L<br>BCT-860N<br>BCT-8150<br>YF-1 YET-60-1<br>E-4 YET-150-1 | 1,000 |
|   | 8         | 4      | 8-4      |        |             | 4.3 (.169)          | 12.0 (.472) | 23.8 (.937) | 9.3 (.366)  | 8.5 (.335) |               |                 |               | YA-4<br>YPT-60N<br>YF-1 YET-60-1<br>E-4<br>(Note 2)   | 500   |
|   | 10        | 5      | 8-NK5    |        |             | 5.3 (.209)          | 9.0 (.354)  | 16.5 (.650) | 5.8 (.228)  | 6.2 (.244) |               |                 |               | YHT-8S<br>YA-4<br>YA-5<br>YPT-60N<br>YPT-150-1<br>BCT-860N<br>BCT-8150<br>YF-1 YET-60-1<br>E-4 YET-150-1            | 1,000 |
|   | 10        | 5      | 8-5NS    |        |             | 5.3 (.209)          | 9.0 (.354)  | 22.3 (.878) | 9.3 (.366)  | 8.5 (.335) |               |                 |               | 500   |       |
|   | 10        | 5      | 8-5      | *R8-5  |             | 5.3 (.209)          | 12.0 (.472) | 23.8 (.937) | 9.3 (.366)  |            |               |                 |               | YHT-8S<br>YA-4<br>YA-5<br>YPT-60N<br>YPT-150-1<br>BCT-860N<br>BCT-8150<br>YF-1 YET-60-1<br>E-4 YET-150-1            | 1,000 |
|   | 10        | 5      | 8-L5NS   |        |             | 5.3 (.209)          | 9.0 (.354)  | 26.8(1.055) | 13.8 (.543) |            |               |                 |               | 500   |       |
|   | 10        | 5      | 8-L5     |        |             | 5.3 (.209)          | 15.0 (.591) | 29.8(1.173) | 13.8 (.543) |            |               |                 |               | 500   |       |
|   | 1/4       | 6      | 8-6NS    |        |             | 6.4 (.252)          | 9.6 (.378)  | 22.6 (.890) | 9.3 (.366)  |            |               |                 |               | 1,000   |       |
|   | 1/4       | 6      | 8-6      | *R8-6  |             | 6.4 (.252)          | 12.0 (.472) | 23.8 (.937) | 9.3 (.366)  |            |               |                 |               | 500   |       |
|   | 1/4       | 6      | 8-L6     |        |             | 6.4 (.252)          | 15.0 (.591) | 29.8(1.173) | 13.8 (.543) |            |               |                 |               | 1,000   |       |
|   | 5/16      | 8      | 8-8NS    |        |             | 8.4 (.331)          | 11.5 (.453) | 28.1(1.106) | 13.8 (.543) |            |               |                 |               | 500   |       |
|   | 5/16      | 8      | 8-8      | *R8-8  |             | 8.4 (.331)          | 15.0 (.591) | 29.8(1.173) | 13.8 (.543) |            |               |                 |               | 1,000   |       |
|   | 3/8       | 9      | 8-9      |        |             | 9.8 (.386)          | 15.0 (.591) | 29.8(1.173) | 13.8 (.543) |            |               |                 |               | 500   |       |
|   | 3/8       | 10     | 8-10     | *R8-10 |             | 10.5 (.413)         | 15.0 (.591) | 29.8(1.173) | 13.8 (.543) |            |               |                 |               |   |       |
|   | 3/8       | 10     | 8-L10    |        |             | 10.5 (.413)         | 20.0 (.787) | 33.5(1.319) | 15.0 (.591) |            |               |                 |               |   |       |
|   | 7/16      | 11     | 8-11     |        |             | 11.5 (.453)         | 20.0 (.787) | 33.5(1.319) | 15.0 (.591) |            |               |                 |               |   |       |
|   | 1/2       | 12     | 8-12     |        |             | 13.0 (.512)         | 20.0 (.787) | 33.5(1.319) | 15.0 (.591) |            |               |                 |               |   |       |
|   | 1/2       | 14     | 8-14     |        |             | 15.0 (.591)         | 31.6(1.244) | 50.0(1.969) | 25.7(1.012) |            |               |                 |               |   |       |
|   | 5/8       | 16     | 8-16     |        |             | 17.0 (.669)         | 31.6(1.244) | 50.0(1.969) | 25.7(1.012) |            |               |                 |               |   |       |
| 11/16                                     | 18        | 8-18   |          |        | 19.0 (.748) | 31.6(1.244)         | 50.0(1.969) | 25.7(1.012) |             |            |               |                 |               |   |       |
| 3/4                                       | 20        | 8-20   |          |        | 21.0 (.827) | 31.6(1.244)         | 50.0(1.969) | 25.7(1.012) | 200         |            |               |                 |               |   |       |

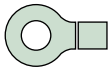
- Note:1) Products with the JIS mark conform to JIS C2805.  
 2) Please use the die AD-901S for the pneumatic tool YA-4, and the die 8NK-6 for the hydraulic tools YPT-60-21/YET-60-1.  
 3) Delivery lead times may vary depending on the product. Contact JST for details.  
 4) The product with "\*" marking contains JIS recognition number of JQID08002.



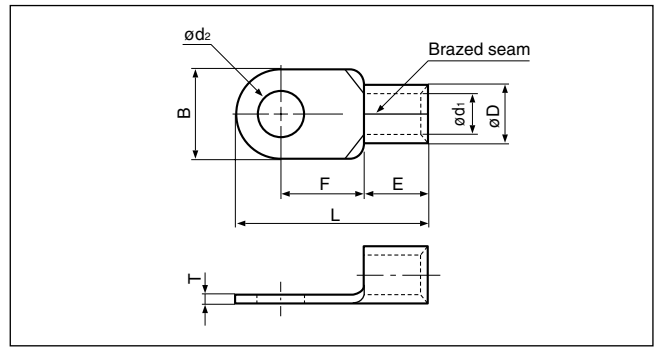
| Applicable Wire<br>AWG#(mm <sup>2</sup> ) | Stud size |        | Part No. |         | Standard    | Dimensions mm (in.) |             |             |             |                |                |               | Tool No.      | Qty/box   |     |
|---|-----------|--------|----------|---------|-------------|---------------------|-------------|-------------|-------------|----------------|----------------|---------------|---------------|---|-----|
|   | American  | Metric | JST      | JIS     |             | $\phi D_2$          | B           | L           | F           | E              | $\phi D$       | $\phi D_1$    |               |   | T   |
| 6<br>(10.52 to<br>16.78)                  | 8         | 4      | 14-4     |         |             | 4.3 (.169)          | 12.0 (.472) | 29.8(1.173) | 13.3 (.524) | 10.5 (.413)    | 9.0<br>(.354)  | 5.8<br>(.228) | 1.5<br>(.059) | YA-4<br>YA-5<br>YPT-60N<br>YPT-150-1<br>BCT-0514L<br>BCT-860N<br>BCT-8150<br>YF-1 YET-60-1<br>E-4 YET-150-1 | 200 |
|   | 8         | 4      | 14-NK4   |         | UL SF       | 4.3 (.169)          | 12.2 (.480) | 23.0 (.906) | 7.7 (.303)  | 9.2 (.362)     |                |               |               |   |     |
|   | 10        | 5      | 14-5NS   |         |             | 5.3 (.209)          | 9.0 (.354)  | 28.3(1.114) | 13.3 (.524) | 10.5 (.413)    |                |               |               |   |     |
|   | 10        | 5      | 14-5     | *R14-5  | UL SF JIS   | 5.3 (.209)          | 12.0 (.472) | 29.8(1.173) | 13.3 (.524) | 10.5 (.413)    |                |               |               |   |     |
|   | 10        | 5      | 14-NK5   |         | UL SF       | 5.3 (.209)          | 12.2 (.480) | 23.0 (.906) | 7.7 (.303)  | 9.2 (.362)     |                |               |               |   |     |
|   | 1/4       | 6      | 14-6NS   |         |             | 6.4 (.252)          | 9.6 (.378)  | 28.6(1.126) | 13.3 (.524) | 10.5 (.413)    |                |               |               |   |     |
|   | 1/4       | 6      | 14-6     | *R14-6  | UL SF JIS   | 6.4 (.252)          | 12.0 (.472) | 29.8(1.173) | 13.3 (.524) | 10.5 (.413)    |                |               |               |   |     |
|   | 1/4       | 6      | 14-L6    |         |             | 6.4 (.252)          | 16.0 (.630) | 32.8(1.291) | 14.5 (.571) | 10.5 (.413)    |                |               |               |   |     |
|   | 5/16      | 8      | 14-8NS   |         | UL SF       | 8.4 (.331)          | 11.5 (.453) | 30.8(1.213) | 14.5 (.571) | 10.5 (.413)    |                |               |               |   |     |
|   | 5/16      | 8      | 14-S8    |         |             | 8.4 (.331)          | 12.0 (.472) | 31.0(1.220) | 14.5 (.571) | 10.5 (.413)    |                |               |               |   |     |
|   | 5/16      | 8      | 14-8     | *R14-8  | UL SF JIS   | 8.4 (.331)          | 16.0 (.630) | 32.8(1.291) | 14.5 (.571) | 10.5 (.413)    |                |               |               |   |     |
|   | 3/8       | 9      | 14-9     |         | UL SF       | 9.8 (.386)          | 16.0 (.630) | 32.8(1.291) | 14.5 (.571) | 10.5 (.413)    |                |               |               |   |     |
|   | 3/8       | 10     | 14-10    | *R14-10 | UL SF JIS   | 10.5 (.413)         | 16.0 (.630) | 32.8(1.291) | 14.5 (.571) | 10.5 (.413)    |                |               |               |   |     |
|   | 3/8       | 10     | 14-L10   |         | UL SF       | 10.5 (.413)         | 22.0 (.866) | 41.0(1.614) | 19.5 (.739) | 10.5 (.413)    |                |               |               |   |     |
|   | 7/16      | 11     | 14-11    |         | UL SF       | 11.5 (.453)         | 22.0 (.866) | 41.0(1.614) | 19.5 (.739) | 10.5 (.413)    |                |               |               |   |     |
|   | 1/2       | 12     | 14-12    | *R14-12 | UL SF JIS   | 13.0 (.512)         | 22.0 (.866) | 41.0(1.614) | 19.5 (.739) | 10.5 (.413)    |                |               |               |   |     |
|   | 1/2       | 14     | 14-14    | *R14-14 | UL SF JIS   | 15.0 (.591)         | 30.0(1.181) | 49.0(1.929) | 23.5 (.925) | 10.5 (.413)    |                |               |               |   |     |
| 5/8                                       | 16        | 14-16  |          |         | 17.0 (.669) | 31.6(1.244)         | 51.5(2.028) | 25.2 (.992) | 10.5 (.413) |                |                |               |               |   |     |
| 11/16                                     | 18        | 14-18  |          | UL SF   | 19.0 (.748) | 31.6(1.244)         | 51.5(2.028) | 25.2 (.992) | 10.5 (.413) |                |                |               |               |   |     |
| 3/4                                       | 20        | 14-20  |          |         | 21.0 (.827) | 31.6(1.244)         | 51.5(2.028) | 25.2 (.992) | 10.5 (.413) |                |                |               |               |   |     |
| 4<br>(16.78 to<br>26.66)                  | 10        | 5      | 22-5NS   |         |             | 5.3 (.209)          | 9.5 (.374)  | 28.7(1.130) | 12.0 (.472) | 12.0<br>(.472) | 11.5<br>(.453) | 7.7<br>(.303) | 1.8<br>(.071) | YA-5<br>YPT-60N<br>YPT-150-1<br>BCT-860N<br>BCT-8150<br>YF-1 YET-60-1<br>E-4 YET-150-1                      | 100 |
|   | 10        | 5      | 22-S5    |         | UL SF       | 5.3 (.209)          | 12.0 (.472) | 30.0(1.181) | 12.0 (.472) |                |                |               |               |   |     |
|   | 10        | 5      | 22-5     |         |             | 5.3 (.209)          | 16.5 (.650) | 33.7(1.327) | 13.5 (.531) |                |                |               |               |   |     |
|   | 1/4       | 6      | 22-S6    |         |             | 6.4 (.252)          | 12.0 (.472) | 30.0(1.181) | 12.0 (.472) |                |                |               |               |   |     |
|   | 1/4       | 6      | 22-6     | R22-6   | UL SF JIS   | 6.4 (.252)          | 16.5 (.650) | 33.7(1.327) | 13.5 (.531) |                |                |               |               |   |     |
|   | 5/16      | 8      | 22-S8    |         | UL SF       | 8.4 (.331)          | 12.0 (.427) | 30.0(1.181) | 12.0 (.472) |                |                |               |               |   |     |
|   | 5/16      | 8      | 22-8     | R22-8   | UL SF JIS   | 8.4 (.331)          | 16.5 (.650) | 33.7(1.327) | 13.5 (.531) |                |                |               |               |   |     |
|   | 3/8       | 9      | 22-9     |         | UL SF       | 9.8 (.386)          | 17.5 (.689) | 36.7(1.445) | 16.0 (.630) |                |                |               |               |   |     |
|   | 3/8       | 10     | 22-S10   |         | UL SF       | 10.5 (.413)         | 16.5 (.650) | 33.7(1.327) | 13.5 (.531) |                |                |               |               |   |     |
|   | 3/8       | 10     | 22-10    | R22-10  | UL SF JIS   | 10.5 (.413)         | 17.5 (.689) | 36.7(1.445) | 16.0 (.630) |                |                |               |               |   |     |
|   | 7/16      | 11     | 22-11    |         | UL SF       | 11.5 (.453)         | 22.0 (.866) | 42.5(1.673) | 19.5 (.768) |                |                |               |               |   |     |
|   | 1/2       | 12     | 22-12    | R22-12  | UL SF JIS   | 13.0 (.512)         | 22.0 (.866) | 42.5(1.673) | 19.5 (.768) |                |                |               |               |   |     |
|   | 1/2       | 14     | 22-14    | R22-14  | UL SF JIS   | 15.0 (.591)         | 30.0(1.181) | 51.5(2.038) | 24.5 (.965) |                |                |               |               |   |     |
|   | 5/8       | 16     | 22-16    |         |             | 17.0 (.669)         | 30.0(1.181) | 51.5(2.028) | 24.5 (.965) |                |                |               |               |   |     |
| 11/16                                     | 18        | 22-18  |          | UL SF   | 19.0 (.748) | 30.0(1.181)         | 51.5(2.028) | 24.5 (.965) |             |                |                |               |               |   |     |
| 3/4                                       | 20        | 22-20  |          |         | 21.0 (.827) | 30.0(1.181)         | 51.5(2.028) | 24.5 (.965) |             |                |                |               |               |   |     |

Note: 1) Products with the JIS mark conform to JIS C2805.  
 2) Delivery lead times may vary depending on the product. Contact JST for details.  
 3) The product with "\*" marking contains JIS recognition number of JQID08002.

Solderless terminals

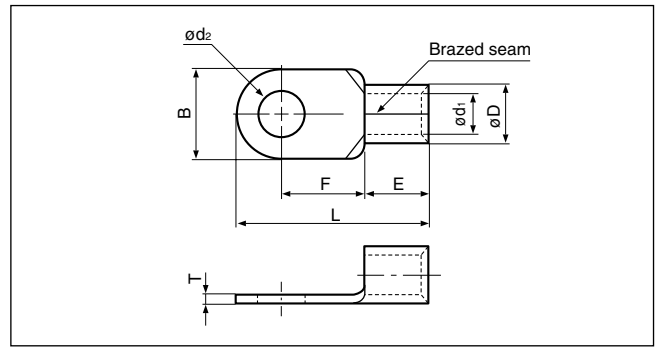
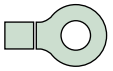


**RING TONGUE (R type) Non-insulated**



| Applicable Wire<br>AWG#(mm <sup>2</sup> ) | Stud size |        | Part No. |             | Standard        | Dimensions mm (in.) |             |             |             |                |                |                |               | Tool No.  | Qty/box |
|---|-----------|--------|----------|-------------|-----------------|---------------------|-------------|-------------|-------------|----------------|----------------|----------------|---------------|---|---------|
|   | American  | Metric | JST      | JIS         |                 | $\phi d_2$          | B           | L           | F           | E              | $\phi D$       | $\phi d_1$     | T             |   |         |
| 2<br>(26.66 to 42.42)                     | 10        | 5      | 38-S5    |             | UL<br>SP        | 5.3 (.209)          | 15.5 (.610) | 38.0(1.496) | 16.0 (.630) | 14.0<br>(.551) | 13.3<br>(.524) | 9.4<br>(.370)  | 1.8<br>(.071) | YA-5<br>YPT-60N<br>YPT-150-1<br>BCT-860N<br>BCT-8150<br>YF-1 YET-60-1<br>E-4 YET-150-1                          | 100     |
|   | 10        | 5      | 38-5     |             |                 | 5.3 (.209)          | 22.0 (.866) | 42.7(1.681) | 17.7 (.697) |                |                |                |               |   |         |
|   | 1/4       | 6      | 38-S6    |             |                 | 6.4 (.252)          | 15.5 (.610) | 38.0(1.496) | 16.0 (.630) |                |                |                |               |   |         |
|   | 1/4       | 6      | 38-6     |             |                 | 6.4 (.252)          | 22.0 (.866) | 42.7(1.681) | 17.7 (.697) |                |                |                |               |   |         |
|   | 5/16      | 8      | 38-S8    |             | UL<br>SP<br>JIS | 8.4 (.331)          | 15.5 (.610) | 38.0(1.496) | 16.0 (.630) |                |                |                |               |   |         |
|   | 5/16      | 8      | 38-8     | R38-8       |                 | 8.4 (.331)          | 22.0 (.866) | 42.7(1.681) | 17.7 (.697) |                |                |                |               |   |         |
|   | 5/16      | 8      | 38-L8    |             | UL<br>SP        | 8.4 (.331)          | 30.0(1.181) | 52.5(2.067) | 23.5 (.925) |                |                |                |               |   |         |
|   | 3/8       | 9      | 38-9     |             |                 | 9.8 (.386)          | 22.0 (.866) | 42.7(1.681) | 17.7 (.697) |                |                |                |               |   |         |
|   | 3/8       | 9      | 38-S9    |             |                 | 9.8 (.386)          | 27.0(1.063) | 38.0(1.496) | 16.0 (.630) |                |                |                |               |   |         |
|   | 3/8       | 10     | 38-S10   |             |                 | 10.5 (.413)         | 15.5 (.610) | 38.0(1.496) | 16.0 (.630) |                |                |                |               |   |         |
|   | 3/8       | 10     | 38-10    | R38-10      | UL<br>SP<br>JIS | 10.5 (.413)         | 22.0 (.866) | 42.7(1.681) | 17.7 (.697) |                |                |                |               |   |         |
|   | 3/8       | 10     | 38-L10   |             | UL<br>SP        | 10.5 (.413)         | 30.0(1.181) | 52.5(2.067) | 23.5 (.925) |                |                |                |               |   |         |
|   | 7/16      | 11     | 38-11    |             | UL<br>SP        | 11.5 (.453)         | 22.0 (.866) | 42.7(1.681) | 17.7 (.697) |                |                |                |               |   |         |
|   | 1/2       | 12     | 38-12    | R38-12      | UL<br>SP<br>JIS | 13.0 (.512)         | 22.0 (.866) | 42.7(1.681) | 17.7 (.697) |                |                |                |               |   |         |
|   | 1/2       | 14     | 38-14    | R38-14      | UL<br>SP<br>JIS | 15.0 (.591)         | 30.0(1.181) | 52.5(2.067) | 23.5 (.925) |                |                |                |               |   |         |
|   | 5/8       | 16     | 38-16    |             | UL<br>SP        | 17.0 (.669)         | 30.0(1.181) | 52.5(2.067) | 23.5 (.925) |                |                |                |               |   |         |
| 11/16                                     | 18        | 38-18  |          | 19.0 (.748) |                 | 30.0(1.181)         | 52.5(2.067) | 23.5 (.925) |             |                |                |                |               |   |         |
| 3/4                                       | 20        | 38-20  |          | UL<br>SP    | 21.0 (.827)     | 30.0(1.181)         | 52.5(2.067) | 23.5 (.925) |             |                |                |                |               |   |         |
| 1/0<br>(42.42 to 60.57)                   | -         | -      | 60-S0    |             | UL<br>SP        | -                   | 22.0 (.866) | 49.7(1.957) | 20.7 (.815) | 18.0<br>(.709) | 15.5<br>(.610) | 11.4<br>(.449) | 2.0<br>(.079) | YA-5<br>YPT-60N<br>YPT-150-1<br>BCT-860N<br>BCT-8150<br>YF-1 YET-60-1<br>E-4 YET-150-1<br>YET-300-1<br>YET-300N | 50      |
|   | 1/4       | 6      | 60-S6    |             | UL              | 6.4 (.252)          | 16.0 (.630) | 46.7(1.839) | 20.7 (.815) |                |                |                |               |   |         |
|   | 1/4       | 6      | 60-6     |             | UL<br>SP        | 6.4 (.252)          | 22.0 (.866) | 49.7(1.957) | 20.7 (.815) |                |                |                |               |   |         |
|   | 5/16      | 8      | 60-S8    |             | UL<br>SP        | 8.4 (.331)          | 16.0 (.630) | 46.7(1.839) | 20.7 (.815) |                |                |                |               |   |         |
|   | 5/16      | 8      | 60-8     | R60-8       | UL<br>SP<br>JIS | 8.4 (.331)          | 22.0 (.866) | 49.7(1.957) | 20.7 (.815) |                |                |                |               |   |         |
|   | 3/8       | 9      | 60-9     |             | UL<br>SP        | 9.8 (.386)          | 22.0 (.866) | 49.7(1.957) | 20.7 (.815) |                |                |                |               |   |         |
|   | 3/8       | 10     | 60-S10   |             | UL<br>SP<br>JIS | 10.5 (.413)         | 16.0 (.630) | 46.7(1.839) | 20.7 (.815) |                |                |                |               |   |         |
|   | 3/8       | 10     | 60-10    | R60-10      |                 | 10.5 (.413)         | 22.0 (.866) | 49.7(1.957) | 20.7 (.815) |                |                |                |               |   |         |
|   | 7/16      | 11     | 60-11    |             | UL<br>SP        | 11.5 (.453)         | 22.0 (.866) | 49.7(1.957) | 20.7 (.815) |                |                |                |               |   |         |
|   | 1/2       | 12     | 60-12    | R60-12      | UL<br>SP<br>JIS | 13.0 (.512)         | 22.0 (.866) | 49.7(1.957) | 20.7 (.815) |                |                |                |               |   |         |
|   | 1/2       | 14     | 60-14    | R60-14      | UL<br>SP<br>JIS | 15.0 (.591)         | 32.0(1.260) | 57.5(2.264) | 23.5 (.925) |                |                |                |               |   |         |
|   | 5/8       | 16     | 60-16    |             | UL<br>SP        | 17.0 (.669)         | 32.0(1.260) | 57.5(2.264) | 23.5 (.925) |                |                |                |               |   |         |
|   | 11/16     | 18     | 60-18    |             |                 | 19.0 (.748)         | 32.0(1.260) | 57.5(2.264) | 23.5 (.925) |                |                |                |               |   |         |
| 3/4                                       | 20        | 60-20  |          | 21.0 (.827) |                 | 32.0(1.260)         | 57.5(2.264) | 23.5 (.925) |             |                |                |                |               |   |         |
| 7/8                                       | 22        | 60-22  |          | 23.0 (.906) |                 | 32.0(1.260)         | 57.5(2.264) | 23.5 (.925) |             |                |                |                |               |   |         |
| 2/0<br>(60.57 to 76.28)                   | 1/4       | 6      | 70-6     |             | UL<br>SP        | 6.4 (.252)          | 24.0 (.945) | 51.0(2.008) | 20.0 (.787) | 19.0<br>(.748) | 17.5<br>(.689) | 13.3<br>(.524) | 2.0<br>(.079) | YPT-150-1<br>BCT-8150<br>YF-1 YET-150-1<br>E-4 YET-300-1<br>YET-300N  | 25      |
|   | 5/16      | 8      | 70-8     |             |                 | 8.4 (.331)          | 24.0 (.945) | 51.0(2.008) | 20.0 (.787) |                |                |                |               |   |         |
|   | 3/8       | 9      | 70-9     |             |                 | 9.8 (.386)          | 24.0 (.945) | 51.0(2.008) | 20.0 (.787) |                |                |                |               |   |         |
|   | 3/8       | 10     | 70-10    |             |                 | 10.5 (.413)         | 24.0 (.945) | 51.0(2.008) | 20.0 (.787) |                |                |                |               |   |         |
|   | 7/16      | 11     | 70-11    |             |                 | 11.5 (.453)         | 24.0 (.945) | 51.0(2.008) | 20.0 (.787) |                |                |                |               |   |         |
|   | 1/2       | 12     | 70-12    |             |                 | 13.0 (.512)         | 24.0 (.945) | 51.0(2.008) | 20.0 (.787) |                |                |                |               |   |         |
|   | 1/2       | 14     | 70-14    |             |                 | 15.0 (.591)         | 32.0(1.260) | 61.0(2.402) | 26.0(1.024) |                |                |                |               |   |         |
|   | 5/8       | 16     | 70-16    |             |                 | 17.0 (.669)         | 32.0(1.260) | 61.0(2.402) | 26.0(1.024) |                |                |                |               |   |         |
|   | 11/16     | 18     | 70-18    |             |                 | 19.0 (.748)         | 32.0(1.260) | 61.0(2.402) | 26.0(1.024) |                |                |                |               |   |         |
|   | 3/4       | 20     | 70-20    |             |                 | 21.0 (.827)         | 32.0(1.260) | 61.0(2.402) | 26.0(1.024) |                |                |                |               |   |         |
|   | 7/8       | 22     | 70-22    |             |                 | 23.0 (.906)         | 32.0(1.260) | 61.0(2.402) | 26.0(1.024) |                |                |                |               |   |         |

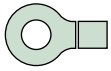
Note: 1) Products with the JIS mark conform to JIS C2805.  
 2) Part numbers containing "S0" do not have stud holes.  
 3) Delivery lead times may vary depending on the product. Contact JST for details.



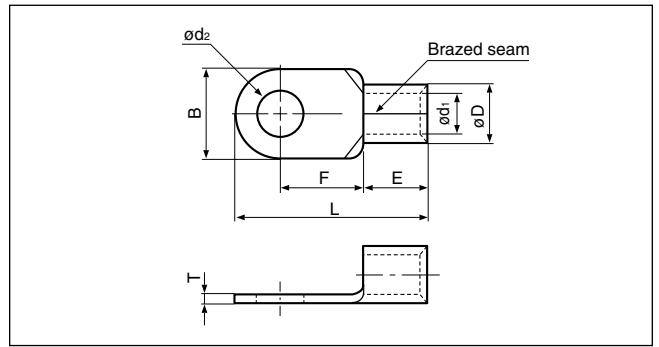
| Applicable Wire<br>AWG#(mm <sup>2</sup> ) | Stud size |        | Part No. |             | Standard         | Dimensions mm (in.) |             |             |             |                |                |                |               | Tool No.  | Qty/box |
|---|-----------|--------|----------|-------------|------------------|---------------------|-------------|-------------|-------------|----------------|----------------|----------------|---------------|---|---------|
|   | American  | Metric | JST      | JIS         |                  | $\phi d_2$          | B           | L           | F           | E              | $\phi D$       | $\phi d_1$     | T             |   |         |
| 3/0<br>(76.28 to<br>96.3)                 | -         | -      | 80-S0    |             | UL<br>CSA<br>JIS | -                   | 27.0(1.063) | 54.2(2.134) | 20.7 (.815) | 20.0<br>(.787) | 19.5<br>(.768) | 14.5<br>(.571) | 2.3<br>(.091) | YPT-150-1<br>BCT-8150<br>YF-1 YET-150-1<br>E-4 YET-300-1<br> YET-300N | 25      |
|   | 1/4       | 6      | 80-6     |             |                  | 6.4 (.252)          | 27.0(1.063) | 54.2(2.134) | 20.7 (.815) |                |                |                |               |   |         |
|   | 5/16      | 8      | 80-8     |             |                  | 8.4 (.331)          | 27.0(1.063) | 54.2(2.134) | 20.7 (.815) |                |                |                |               |   |         |
|   | 5/16      | 8      | 80-L8    |             |                  | 8.4 (.331)          | 32.0(1.260) | 68.0(2.677) | 32.0(1.260) |                |                |                |               |   |         |
|   | 3/8       | 9      | 80-9     |             |                  | 9.8 (.386)          | 27.0(1.063) | 54.2(2.134) | 20.7 (.815) |                |                |                |               |   |         |
|   | 3/8       | 10     | 80-10    |             |                  | 10.5 (.413)         | 27.0(1.063) | 54.2(2.134) | 20.7 (.815) |                |                |                |               |   |         |
|   | 3/8       | 10     | 80-L10   |             |                  | 10.5 (.413)         | 32.0(1.260) | 68.0(2.677) | 32.0(1.260) |                |                |                |               |   |         |
|   | 7/16      | 11     | 80-11    |             |                  | 11.5 (.453)         | 27.0(1.063) | 54.2(2.134) | 20.7 (.815) |                |                |                |               |   |         |
|   | 1/2       | 12     | 80-12    |             |                  | 13.0 (.512)         | 27.0(1.063) | 54.2(2.134) | 20.7 (.815) |                |                |                |               |   |         |
|   | 1/2       | 12     | 80-L12   |             |                  | 13.0 (.512)         | 32.0(1.260) | 68.0(2.677) | 32.0(1.260) |                |                |                |               |   |         |
|   | 1/2       | 14     | 80-14    |             |                  | 15.0 (.591)         | 32.0(1.260) | 68.0(2.677) | 32.0(1.260) |                |                |                |               |   |         |
|   | 5/8       | 16     | 80-16    |             |                  | 17.0 (.669)         | 32.0(1.260) | 68.0(2.677) | 32.0(1.260) |                |                |                |               |   |         |
|   | 11/16     | 18     | 80-18    |             |                  | 19.0 (.748)         | 32.0(1.260) | 68.0(2.677) | 32.0(1.260) |                |                |                |               |   |         |
|   | 3/4       | 20     | 80-20    |             |                  | 21.0 (.827)         | 32.0(1.260) | 68.0(2.677) | 32.0(1.260) |                |                |                |               |   |         |
| 4/0<br>(96.3 to<br>117.2)                 | -         | -      | 100-S0   |             | UL<br>CSA<br>JIS | -                   | 28.5(1.122) | 55.6(2.189) | 20.4 (.803) | 21.0<br>(.827) | 22.3<br>(.878) | 16.4<br>(.646) | 2.6<br>(.102) | YPT-150-1<br>BCT-8150<br>YF-1 YET-150-1<br>E-4 YET-300-1<br> YET-300N | 25      |
|   | -         | -      | 100-L0   |             |                  | -                   | 32.0(1.260) | 69.0(2.717) | 32.0(1.260) |                |                |                |               |   |         |
|   | 1/4       | 6      | 100-6    |             |                  | 6.4 (.252)          | 28.5(1.122) | 55.6(2.189) | 20.4 (.803) |                |                |                |               |   |         |
|   | 5/16      | 8      | 100-8    |             |                  | 8.4 (.331)          | 28.5(1.122) | 55.6(2.189) | 20.4 (.803) |                |                |                |               |   |         |
|   | 5/16      | 8      | 100-L8   |             |                  | 8.4 (.331)          | 32.0(1.260) | 69.0(2.717) | 32.0(1.260) |                |                |                |               |   |         |
|   | 3/8       | 9      | 100-9    |             |                  | 9.8 (.386)          | 28.5(1.122) | 55.6(2.189) | 20.4 (.803) |                |                |                |               |   |         |
|   | 3/8       | 10     | 100-10   | R100-10     |                  | 10.5 (.413)         | 28.5(1.122) | 55.6(2.189) | 20.4 (.803) |                |                |                |               |   |         |
|   | 3/8       | 10     | 100-L10  |             |                  | 10.5 (.413)         | 32.0(1.260) | 69.0(2.717) | 32.0(1.260) |                |                |                |               |   |         |
|   | 7/16      | 11     | 100-11   |             |                  | 11.5 (.453)         | 28.5(1.122) | 55.6(2.189) | 20.4 (.803) |                |                |                |               |   |         |
|   | 1/2       | 12     | 100-12   | R100-12     |                  | 13.0 (.512)         | 28.5(1.122) | 55.6(2.189) | 20.4 (.803) |                |                |                |               |   |         |
|   | 1/2       | 12     | 100-L12  |             |                  | 13.0 (.512)         | 32.0(1.260) | 69.0(2.717) | 32.0(1.260) |                |                |                |               |   |         |
|   | 1/2       | 14     | 100-14   | R100-14     |                  | 15.0 (.591)         | 32.0(1.260) | 69.0(2.717) | 32.0(1.260) |                |                |                |               |   |         |
|   | 5/8       | 16     | 100-16   | R100-16     |                  | 17.0 (.669)         | 32.0(1.260) | 69.0(2.717) | 32.0(1.260) |                |                |                |               |   |         |
|   | 11/16     | 18     | 100-18   | R100-18     |                  | 19.0 (.748)         | 32.0(1.260) | 69.0(2.717) | 32.0(1.260) |                |                |                |               |   |         |
| 3/4                                       | 20        | 100-20 | R100-20  | 21.0 (.827) | 32.0(1.260)      | 69.0(2.717)         | 32.0(1.260) |             |             |                |                |                |               |   |         |
| 7/8                                       | 22        | 100-22 |          | 23.0 (.906) | 32.0(1.260)      | 69.0(2.717)         | 32.0(1.260) |             |             |                |                |                |               |   |         |

Note: 1) Products with the JIS mark (JIS) conform to JIS C2805.  
 2) Part numbers containing "S0" or "L0" do not have stud holes.  
 3) Delivery lead times may vary depending on the product. Contact JST for details.

Solderless terminals

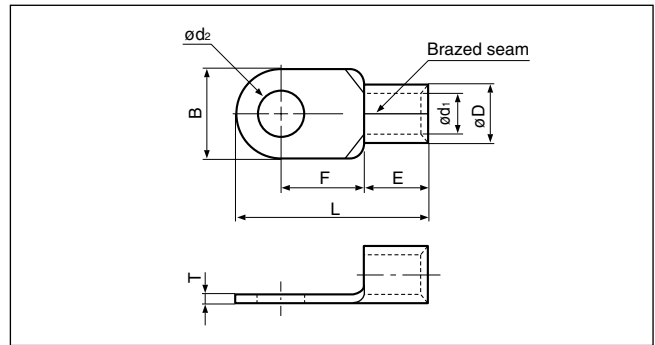
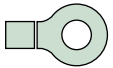


**RING TONGUE (R type) Non-insulated**



| Applicable Wire<br>AWG#(mm <sup>2</sup> ) | Stud size                    |         | Part No.     | Standard    | Dimensions mm (in.) |             |             |             |                 |                 |                 |               | Tool No.  | Qty/box |             |
|---|------------------------------|---------|--------------|-------------|---------------------|-------------|-------------|-------------|-----------------|-----------------|-----------------|---------------|---|---------|-------------|
|   | American                     | Metric  |              |             | od <sub>2</sub>     | B           | L           | F           | E               | øD              | od <sub>1</sub> | T             |   |         |             |
| 250/300<br>(117.2 to<br>152.05)           | -                            | -       | 150-S0       | UL<br>LF000 | -                   | 36.0(1.417) | 66.0(2.600) | 23.0 (.906) | 27.0<br>(1.063) | 26.5<br>(1.043) | 19.5<br>(.768)  | 3.2<br>(.126) | YPT-150-1<br>BCT-8150<br>YF-1 YET-150-1<br>E-4 YET-300-1<br> YET-300N | 20      |             |
|   | -                            | -       | 150-L0       |             | -                   | 36.0(1.417) | 81.0(3.189) | 36.0(1.417) |                 |                 |                 |               |   |         |             |
|   | 1/4                          | 6       | 150-6        |             | 6.4 (.252)          | 36.0(1.417) | 66.0(2.600) | 23.0 (.906) |                 |                 |                 |               |   |         |             |
|   | 5/16                         | 8       | 150-8        |             | 8.4 (.331)          | 36.0(1.417) | 66.0(2.600) | 23.0 (.906) |                 |                 |                 |               |   |         |             |
|   | 5/16                         | 8       | 150-L8       |             | 8.4 (.331)          | 36.0(1.417) | 81.0(3.189) | 36.0(1.417) |                 |                 |                 |               |   |         |             |
|   | 3/8                          | 9       | 150-9        |             | 9.8 (.386)          | 36.0(1.417) | 66.0(2.600) | 23.0 (.906) |                 |                 |                 |               |   |         |             |
|   | 3/8                          | 10      | *R150-10     |             | UL<br>LF000         | 10.5 (.413) | 36.0(1.417) | 66.0(2.600) |                 |                 |                 |               |   |         | 21.0 (.827) |
|   | 3/8                          | 10      | 150-10       |             | 10.5 (.413)         | 36.0(1.417) | 66.0(2.600) | 23.0 (.906) |                 |                 |                 |               |   |         |             |
|   | 3/8                          | 10      | 150-L10      |             | UL<br>LF000         | 10.5 (.413) | 36.0(1.417) | 81.0(3.189) |                 |                 |                 |               |   |         | 36.0(1.417) |
|   | 7/16                         | 11      | 150-11       |             | 11.5 (.453)         | 36.0(1.417) | 66.0(2.600) | 23.0 (.906) |                 |                 |                 |               |   |         |             |
|   | 1/2                          | 12      | *R150-12     | UL<br>LF000 | 13.0 (.512)         | 36.0(1.417) | 66.0(2.600) | 21.0 (.827) |                 |                 |                 |               |   |         |             |
|   | 1/2                          | 12      | 150-12       | UL<br>LF000 | 13.0 (.512)         | 36.0(1.417) | 66.0(2.600) | 23.0 (.906) |                 |                 |                 |               |   |         |             |
|   | 1/2                          | 12      | 150-L12      | UL<br>LF000 | 13.0 (.512)         | 36.0(1.417) | 81.0(3.189) | 36.0(1.417) |                 |                 |                 |               |   |         |             |
|   | 1/2                          | 14      | *R150-14     | UL<br>LF000 | 15.0 (.591)         | 36.0(1.417) | 68.0(2.677) | 23.0 (.906) |                 |                 |                 |               |   |         |             |
|   | 5/8                          | 16      | 150-16       | UL<br>LF000 | 17.0 (.669)         | 36.0(1.417) | 66.0(2.600) | 23.0 (.906) |                 |                 |                 |               |   |         |             |
|   | 5/8                          | 16      | *R150-16     | UL<br>LF000 | 17.0 (.669)         | 36.0(1.417) | 68.0(2.677) | 23.0 (.906) |                 |                 |                 |               |   |         |             |
|   | 5/8                          | 16      | 150-L16      | UL<br>LF000 | 17.0 (.669)         | 36.0(1.417) | 81.0(3.189) | 36.0(1.417) |                 |                 |                 |               |   |         |             |
|   | 11/16                        | 18      | *R150-18     | UL<br>LF000 | 19.0 (.748)         | 36.0(1.417) | 81.0(3.189) | 36.0(1.417) |                 |                 |                 |               |   |         |             |
|   | 3/4                          | 20      | *R150-20     | UL<br>LF000 | 21.0 (.827)         | 36.0(1.417) | 81.0(3.189) | 36.0(1.417) |                 |                 |                 |               |   |         |             |
|   | 350<br>(152.05 to<br>192.60) | -       | -            | 180-S0      | UL<br>LF000         | -           | 38.5(1.516) | 69.0(2.717) |                 |                 |                 |               |   |         | 24.5 (.965) |
| -   |                              | -       | 180-L0       | -           |                     | 38.5(1.516) | 86.8(3.417) | 39.0(1.535) |                 |                 |                 |               |   |         |             |
| 5/16                                      |                              | 8       | 180-8        | 8.4 (.331)  |                     | 38.5(1.516) | 69.0(2.717) | 24.5 (.965) |                 |                 |                 |               |   |         |             |
| 5/16                                      |                              | 8       | 180-L8       | 8.4 (.331)  |                     | 38.5(1.516) | 86.8(3.417) | 39.0(1.535) |                 |                 |                 |               |   |         |             |
| 3/8                                       |                              | 10      | 180-10       | 10.5 (.413) |                     | 38.5(1.516) | 69.0(2.717) | 24.5 (.965) |                 |                 |                 |               |   |         |             |
| 3/8                                       |                              | 10      | 180-L10      | 10.5 (.413) |                     | 38.5(1.516) | 86.8(3.417) | 39.0(1.535) |                 |                 |                 |               |   |         |             |
| 7/16                                      |                              | 11      | 180-11       | 11.5 (.453) |                     | 38.5(1.516) | 69.0(2.717) | 24.5 (.965) |                 |                 |                 |               |   |         |             |
| 1/2                                       |                              | 12      | 180-12       | 13.0 (.512) |                     | 38.5(1.516) | 69.0(2.717) | 24.5 (.965) |                 |                 |                 |               |   |         |             |
| 1/2                                       |                              | 12      | 180-L12      | 13.0 (.512) |                     | 38.5(1.516) | 86.8(3.417) | 39.0(1.535) |                 |                 |                 |               |   |         |             |
| 1/2                                       |                              | 14      | 180-14       | 15.0 (.591) |                     | 38.5(1.516) | 69.0(2.717) | 24.5 (.965) |                 |                 |                 |               |   |         |             |
| 5/8                                       | 16                           | 180-L16 | 17.0 (.669)  | 38.5(1.516) | 86.8(3.417)         | 39.0(1.535) |             |             |                 |                 |                 |               |   |         |             |
| 5/8                                       | 16                           | 180-16  | 17.0 (.669)  | 38.5(1.516) | 69.0(2.717)         | 24.5 (.965) |             |             |                 |                 |                 |               |   |         |             |
| 11/16                                     | 18                           | 180-18  | 19.0 (.748)  | 38.5(1.516) | 86.8(3.417)         | 39.0(1.535) |             |             |                 |                 |                 |               |   |         |             |
| 3/4                                       | 20                           | 180-20  | 21.0 (.827)  | 38.5(1.516) | 86.8(3.417)         | 39.0(1.535) |             |             |                 |                 |                 |               |   |         |             |
| 7/8                                       | 22                           | 180-22  | 23.0 (.906)  | 38.5(1.516) | 86.8(3.417)         | 39.0(1.535) |             |             |                 |                 |                 |               |   |         |             |
| 15/16                                     | 24                           | 180-24  | 25.0 (.984)  | 38.5(1.516) | 86.8(3.417)         | 39.0(1.535) |             |             |                 |                 |                 |               |   |         |             |
| 1   | 27                           | 180-27  | 28.0 (1.102) | 38.5(1.516) | 86.8(3.417)         | 39.0(1.535) |             |             |                 |                 |                 |               |   |         |             |

- Note: 1) Products with the JIS mark conform to JIS C2805.  
 2) Part numbers containing "S0" or "L0" do not have stud holes.  
 3) Delivery lead times may vary depending on the product. Contact JST for details.  
 4) The product with "\*" marking contains JIS recognition number of JQID08002.



| Applicable Wire<br>AWG#(mm <sup>2</sup> ) | Stud size |          | Part No.        | Standard        | Dimensions mm (in.) |              |              |              |                 |                 |                 |               | Tool No.                       | Qty/box |             |
|---|-----------|----------|-----------------|-----------------|---------------------|--------------|--------------|--------------|-----------------|-----------------|-----------------|---------------|--------------------------------|---------|-------------|
|   | American  | Metric   |                 |                 | $\phi d_2$          | B            | L            | F            | E               | $\phi D$        | $\phi d_1$      | T             |                                |         |             |
| 400<br>(192.60 to<br>242.27)              | -         | -        | 200-S0          | UL<br>SP<br>JIS | -                   | 44.0(1.732)  | 72.0(2.835)  | 24.5 (.965)  | 31.5<br>(1.240) | 32.7<br>(1.287) | 24.0<br>(.945)  | 4.0<br>(.157) | YF-1 YET-300-1<br>E-4 YET-300N | 10      |             |
|   | -         | -        | 200-L0          |                 | -                   | 44.0(1.732)  | 91.0(3.583)  | 37.5(1.476)  |                 |                 |                 |               |                                |         |             |
|   | 12/16     | 8        | 200-8           |                 | 8.4 (.331)          | 44.0(1.732)  | 72.0(2.835)  | 24.5 (.965)  |                 |                 |                 |               |                                |         |             |
|   | 5/16      | 8        | 200-L8          |                 | 8.4 (.331)          | 44.0(1.732)  | 91.0(3.583)  | 37.5(1.476)  |                 |                 |                 |               |                                |         |             |
|   | 3/8       | 9        | 200-9           |                 | 9.8 (.386)          | 44.0(1.732)  | 72.0(2.835)  | 24.5 (.965)  |                 |                 |                 |               |                                |         |             |
|   | 3/8       | 10       | 200-10          |                 | 10.5 (.413)         | 44.0(1.732)  | 72.0(2.835)  | 24.5 (.965)  |                 |                 |                 |               |                                |         |             |
|   | 3/8       | 10       | 200-L10         |                 | 10.5 (.413)         | 44.0(1.732)  | 91.0(3.583)  | 37.5(1.476)  |                 |                 |                 |               |                                |         |             |
|   | 7/16      | 11       | 200-11          |                 | 11.5 (.453)         | 44.0(1.732)  | 72.0(2.835)  | 24.5 (.965)  |                 |                 |                 |               |                                |         |             |
|   | 1/2       | 12       | 200-12          |                 | 13.0 (.512)         | 44.0(1.732)  | 72.0(2.835)  | 24.5 (.965)  |                 |                 |                 |               |                                |         |             |
|   | 1/2       | 12       | *R200-12        |                 | UL<br>SP<br>JIS     | 13.0 (.512)  | 44.0(1.732)  | 78.0(3.071)  |                 |                 |                 |               |                                |         | 24.5 (.965) |
|   | 1/2       | 12       | 200-L12         |                 | UL<br>SP            | 13.0 (.512)  | 44.0(1.732)  | 91.0(3.583)  |                 |                 |                 |               |                                |         | 37.5(1.476) |
|   | 1/2       | 14       | 200-14          |                 | UL<br>SP            | 15.0 (.591)  | 44.0(1.732)  | 72.0(2.835)  |                 |                 |                 |               |                                |         | 24.5 (.965) |
|   | 1/2       | 14       | *R200-14        |                 | UL<br>SP<br>JIS     | 15.0 (.591)  | 44.0(1.732)  | 78.0(3.071)  |                 |                 |                 |               |                                |         | 24.5 (.965) |
|   | 5/8       | 16       | 200-16          |                 | UL<br>SP            | 17.0 (.669)  | 44.0(1.732)  | 72.0(2.835)  |                 |                 |                 |               |                                |         | 24.5 (.965) |
|   | 5/8       | 16       | *R200-16        |                 | UL<br>SP<br>JIS     | 17.0 (.669)  | 44.0(1.732)  | 78.0(3.071)  |                 |                 |                 |               |                                |         | 24.5 (.965) |
|   | 5/8       | 16       | 200-L16         |                 | UL<br>SP            | 17.0 (.669)  | 44.0(1.732)  | 91.0(3.583)  |                 |                 |                 |               |                                |         | 37.5(1.476) |
|   | 11/16     | 18       | *R200-18        |                 | UL<br>SP<br>JIS     | 19.0 (.748)  | 44.0(1.732)  | 91.0(3.583)  |                 |                 |                 |               |                                |         | 37.5(1.476) |
|   | 3/4       | 20       | *R200-20        |                 | UL<br>SP<br>JIS     | 21.0 (.827)  | 44.0(1.732)  | 91.0(3.583)  |                 |                 |                 |               |                                |         | 37.5(1.476) |
| 7/8                                       | 22        | *R200-22 | UL<br>SP<br>JIS | 23.0 (.906)     | 44.0(1.732)         | 91.0(3.583)  | 37.5(1.476)  |              |                 |                 |                 |               |                                |         |             |
| 15/16                                     | 24        | *R200-24 | UL<br>SP<br>JIS | 25.0 (.984)     | 44.0(1.732)         | 91.0(3.583)  | 37.5(1.476)  |              |                 |                 |                 |               |                                |         |             |
| 1   | 27        | *R200-27 | UL<br>SP<br>JIS | 28.0(1.102)     | 44.0(1.732)         | 91.0(3.583)  | 37.5(1.476)  |              |                 |                 |                 |               |                                |         |             |
| N.A.<br>(250)                             | 1/2       | 12       | 250-12          |                 | 13.0 (.512)         | 44.0(1.732)  | 78.0(3.071)  | 24.5 (.965)  | 31.5<br>(1.240) | 35.6<br>(1.402) | 26.0<br>(1.024) | 4.5<br>(.177) | YF-1 <br>E-4 YET-300-1         |         |             |
|   | 1/2       | 14       | 250-14          |                 | 15.0 (.591)         |              |              |              |                 |                 |                 |               |                                |         |             |
|   | 5/8       | 16       | 250-16          |                 | 17.0 (.669)         |              |              |              |                 |                 |                 |               |                                |         |             |
| 600/650<br>(242.27 to<br>325)             | -         | -        | 325-S0          | UL<br>SP<br>JIS | -                   | 50.5(1.988)  | 88.0(3.465)  | 33.5(1.319)  | 35.5<br>(1.398) | 37.6<br>(1.480) | 28.0<br>(1.102) | 4.5<br>(.177) | YF-1 YET-300-1<br>E-4 YET-300N | 5       |             |
|   | -         | -        | 325-L0          |                 | -                   | 50.5(1.988)  | 105.7(4.161) | 45.0(1.772)  |                 |                 |                 |               |                                |         |             |
|   | 12/16     | 8        | 325-8           |                 | 8.4 (.331)          | 50.5(1.988)  | 88.0(3.465)  | 33.5(1.319)  |                 |                 |                 |               |                                |         |             |
|   | 5/16      | 8        | 325-L8          |                 | 8.4 (.331)          | 50.5(1.988)  | 105.7(4.161) | 45.0(1.772)  |                 |                 |                 |               |                                |         |             |
|   | 3/8       | 10       | 325-10          |                 | 10.5 (.413)         | 50.5(1.988)  | 88.0(3.465)  | 33.5(1.319)  |                 |                 |                 |               |                                |         |             |
|   | 3/8       | 10       | 325-L10         |                 | 10.5 (.413)         | 50.5(1.988)  | 105.7(4.161) | 45.0(1.772)  |                 |                 |                 |               |                                |         |             |
|   | 7/16      | 11       | 325-11          |                 | 11.5 (.453)         | 50.5(1.988)  | 88.0(3.465)  | 33.5(1.319)  |                 |                 |                 |               |                                |         |             |
|   | 1/2       | 12       | 325-12          |                 | 13.0 (.512)         | 50.5(1.988)  | 88.0(3.465)  | 33.5(1.319)  |                 |                 |                 |               |                                |         |             |
|   | 1/2       | 12       | 325-L12         |                 | 13.0 (.512)         | 50.5(1.988)  | 105.7(4.161) | 45.0(1.772)  |                 |                 |                 |               |                                |         |             |
|   | 1/2       | 14       | 325-14          |                 | 15.0 (.591)         | 50.5(1.988)  | 88.0(3.465)  | 33.5(1.319)  |                 |                 |                 |               |                                |         |             |
|   | 5/8       | 16       | 325-16          |                 | 17.0 (.669)         | 50.5(1.988)  | 88.0(3.465)  | 33.5(1.319)  |                 |                 |                 |               |                                |         |             |
|   | 5/8       | 16       | R325-16         |                 | UL<br>SP<br>JIS     | 17.0 (.669)  | 50.5(1.988)  | 94.2(3.709)  |                 |                 |                 |               |                                |         | 33.5(1.319) |
|   | 5/8       | 16       | 325-L16         |                 | UL<br>SP            | 17.0 (.669)  | 50.5(1.988)  | 105.7(4.161) |                 |                 |                 |               |                                |         | 45.0(1.772) |
|   | 11/16     | 18       | 325-M18         |                 | UL<br>SP            | 19.0 (.748)  | 50.5(1.988)  | 94.2(3.709)  |                 |                 |                 |               |                                |         | 33.5(1.319) |
|   | 11/16     | 18       | R325-18         |                 | UL<br>SP<br>JIS     | 19.0 (.748)  | 50.5(1.988)  | 105.7(4.161) |                 |                 |                 |               |                                |         | 45.0(1.772) |
|   | 3/4       | 20       | R325-20         |                 | UL<br>SP<br>JIS     | 21.0 (.827)  | 50.5(1.988)  | 105.7(4.161) |                 |                 |                 |               |                                |         | 45.0(1.772) |
|   | 7/8       | 22       | R325-22         |                 | UL<br>SP<br>JIS     | 23.0 (.906)  | 50.5(1.988)  | 105.7(4.161) |                 |                 |                 |               |                                |         | 45.0(1.772) |
|   | 15/16     | 24       | R325-24         |                 | UL<br>SP<br>JIS     | 25.0 (.984)  | 50.5(1.988)  | 105.7(4.161) |                 |                 |                 |               |                                |         | 45.0(1.772) |
| 1   | 27        | R325-27  | UL<br>SP<br>JIS | 28.0(1.102)     | 50.5(1.988)         | 105.7(4.161) | 45.0(1.772)  |              |                 |                 |                 |               |                                |         |             |

- Note: 1) Products with the JIS mark (JIS) conform to JIS C2805.  
 2) Part numbers containing "S0" or "L0" do not have stud holes.  
 3) Delivery lead times may vary depending on the product. Contact JST for details.  
 4) The product with "\*" marking contains JIS recognition number of JQID08002.