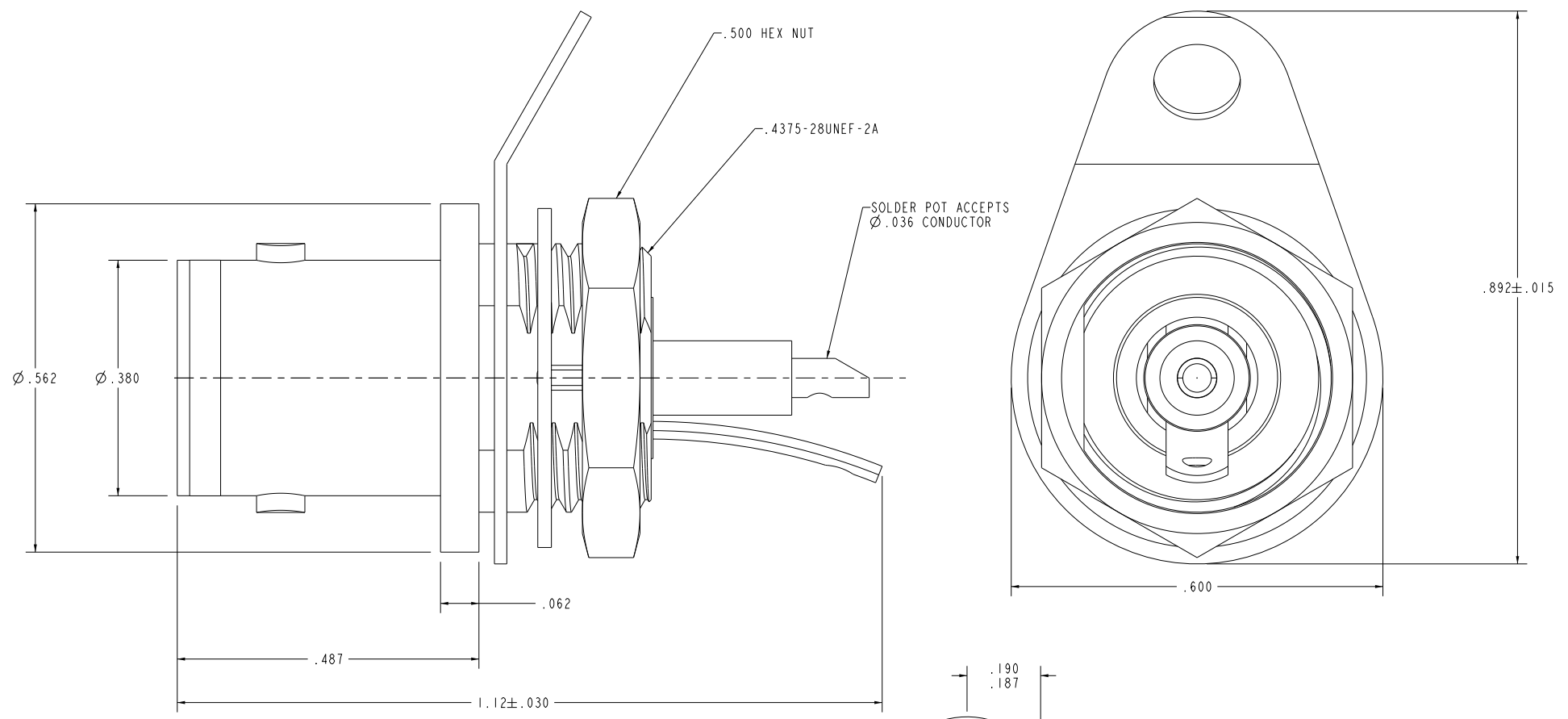


DATA CONTAINED IN THIS DOCUMENT IS PROPRIETARY TO EMERSON CONNECTIVITY SOLUTIONS AND SHALL NOT BE DISCLOSED, COPIED OR USED FOR PROMOTION OR MANUFACTURE WITHOUT EXPRESS WRITTEN PERMISSION

REVISIONS			
REV	DESCRIPTIONS	DATE	APPROVED
K	ECO 52831	12/20/10	T.KOHLER



3. MAX PANEL THK .125
2. SOCKET CONTACT CONCENTRIC TWINAX/  
TRIAx 2-LUG TRB SOLDER POT  
BULKHEAD MOUNT RECEPTACLE
1. FINISH: TFS-1A (NICKEL)

NOTES: UNLESS OTHERWISE SPECIFIED.

I INTERPRET DRAWING PER MIL-STD-100. DIMENSIONS ARE IN INCHES AND INCLUDE FINISH THICKNESS UNLESS OTHERWISE SPECIFIED.		TOL: UNLESS SPECIFIED. .XX ± .XXX ± .005 .XXXX ± ANGLE ± CRITICAL	
DRN J. CRAWFORD 1/29/11	MATERIAL:		
CRK C. WALLACE 2/7/11	FINISH:		
QUALITY MANUF	APPROVED		
N/A		SURFACE AREA	DO NOT SCALE DWG
PROJ/FILE NO. 305-0508		SCALE 8/1	DATE 10/10/83
TITLE: BJ77TL		SIZE C 14949	DRAWING NO. 305-0508
REV. K		SHEET 1 OF 2	CUSTOMER P/N Waseca, MN 56093 1-800-247-8256

