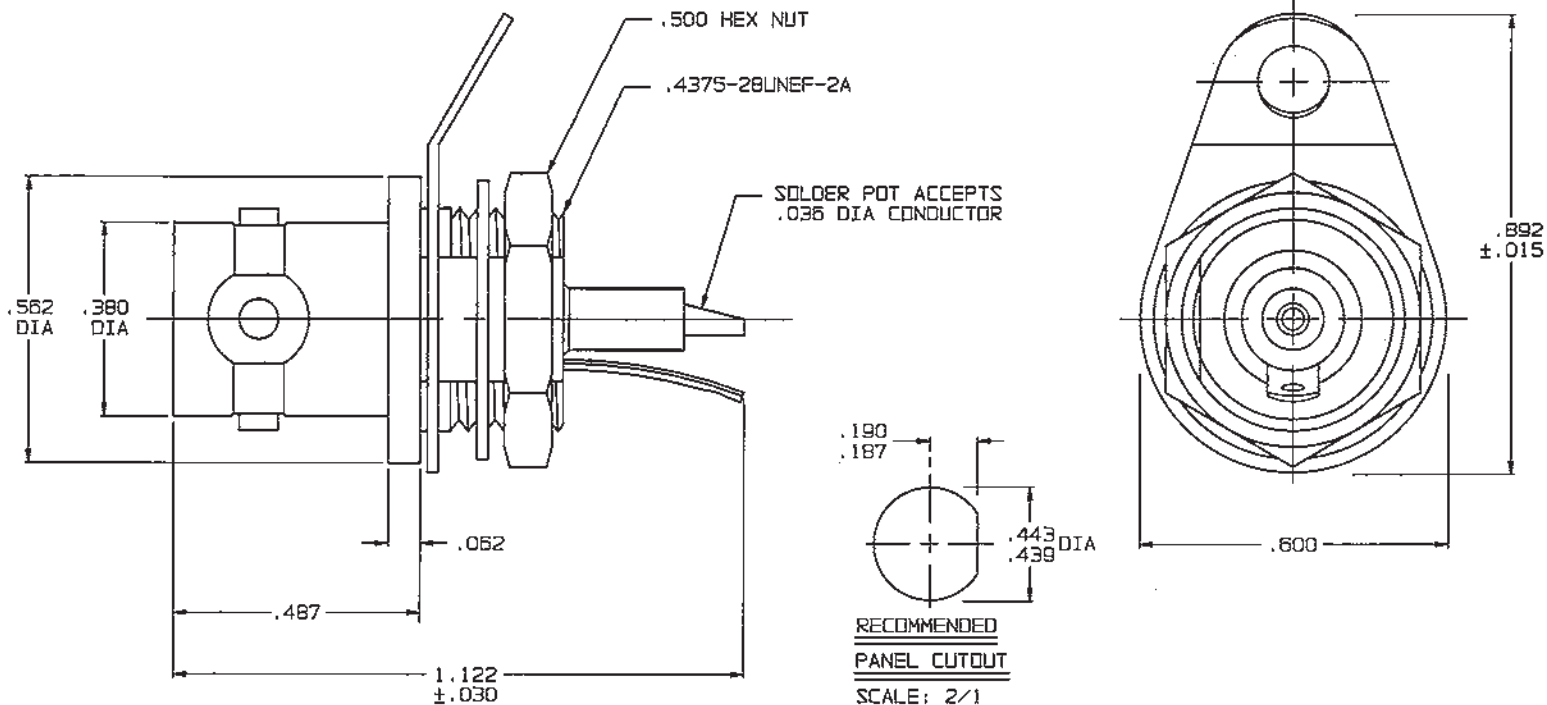


RED INDICATES ORIGINAL

DISK # N	DWG SIZE B	DATA CONTAINED IN THIS DOCUMENT IS PROPRIETARY TO TROMPETER ELECTRONICS INC. AND SHALL NOT BE DISCLOSED, COPIED OR USED FOR PROCUREMENT OR MANUFACTURE WITHOUT EXPRESS WRITTEN PERMISSION.	REVISIONS			3-0094	SH 1	
			REV	EO	DESCRIPTION	DWN	APPROVED	DATE
			H	10220	.892 WAS .940 & UPDATED	AAH	<i>Bm; KJ</i>	4/27/93



INCH	MM
.005	0.13
.015	0.38
.030	0.76
.036	0.91
.062	1.57
.125	3.18
.187	4.75
.190	4.83
.380	9.65
.439	11.15
.443	11.25
.487	12.37
.500	12.70
.562	14.27
.600	15.24
.892	22.66
1.122	28.50

4. MAX PANEL THK .125
3. SOCKET CONTACT CONCENTRIC TWINAX/
TRIAx 4-LUG TR8 SOLDER POT
BULKHEAD MOUNT RECEPTACLE
2. FINISH: TFS-1A (NICKEL)
1. ALL DIM ARE IN INCHES

QTY	DESCRIPTION	PART NUMBER	ITEM		
TOL UNLESS SPECIFIED .XX ± .XXX ± .005 .XXXX ± ANGLES ±		TROMPETER RF connectivity <small>a cnc connectivity solutions brand</small>	BJ77FL		
DWN	AAH 4-27-93			MATERIAL	CODE IDENT
CHK	<i>Bm</i> 4-27-93		14949	3-0094	H
ENGR					
APPR	<i>KJ</i> 4/29/93	SCALE 4/1	DATE 1/24/83	SHEET 1 OF 2	

22-04	NEXT ASSY
-------	-----------