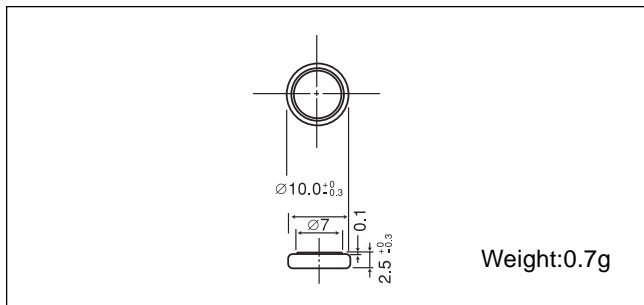


Manganese Dioxide Lithium Coin Batteries: Individual Specifications

CR1025

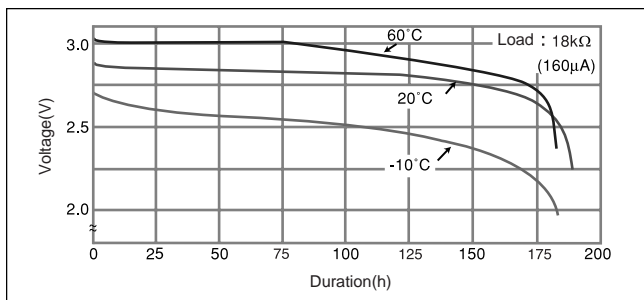
■ Dimensions(mm)



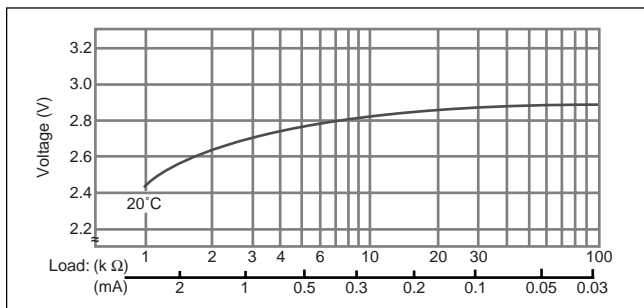
■ Specification

| | |
|-------------------------------|-----------|
| Nominal voltage (V) | 3 |
| Nominal capacity (mAh) | 30 |
| Continuous standard load (mA) | 0.1 |
| Operating temperature (C) | -30 ~ +60 |

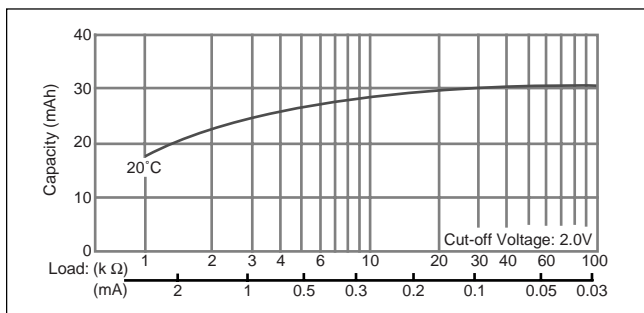
■ Temperature Characteristics



■ Operating voltage vs. load resistance (voltage at 50% discharge depth)

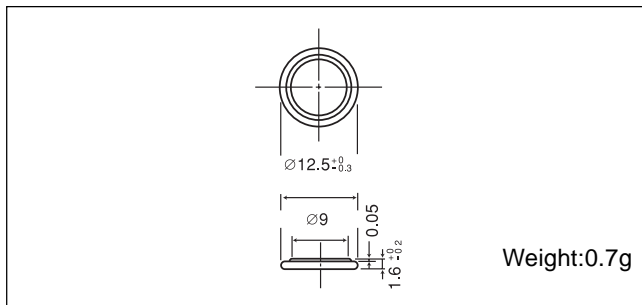


■ Capacity vs. load resistance



CR1216

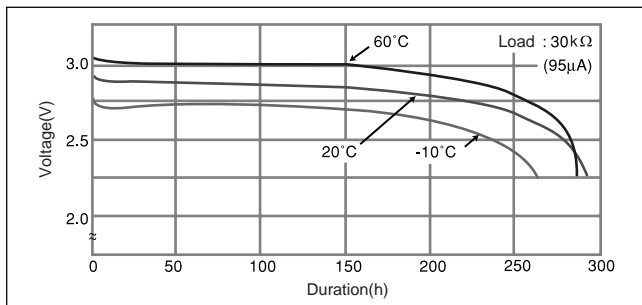
■ Dimensions(mm)



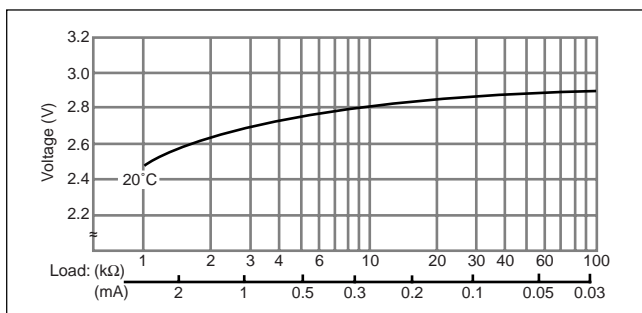
■ Specification

| | |
|-------------------------------|-----------|
| Nominal voltage (V) | 3 |
| Nominal capacity (mAh) | 25 |
| Continuous standard load (mA) | 0.1 |
| Operating temperature (C) | -30 ~ +60 |

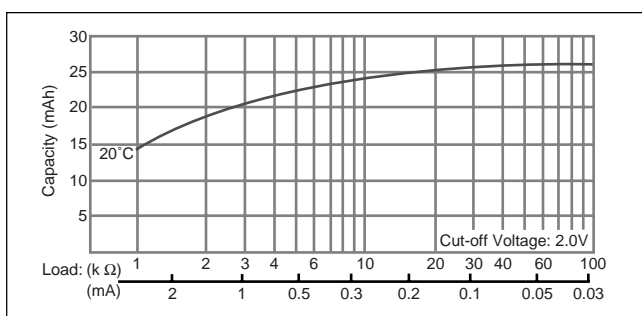
■ Temperature Characteristics



■ Operating voltage vs. load resistance (voltage at 50% discharge depth)



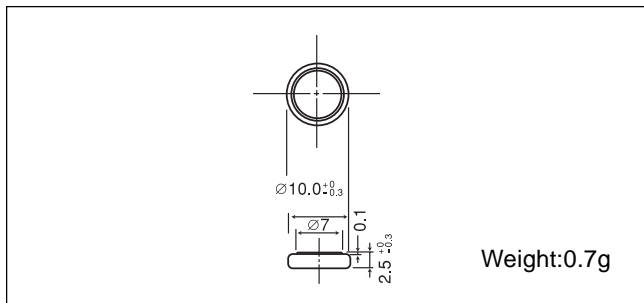
■ Capacity vs. load resistance



Manganese Dioxide Lithium Coin Batteries: Individual Specifications

CR1025

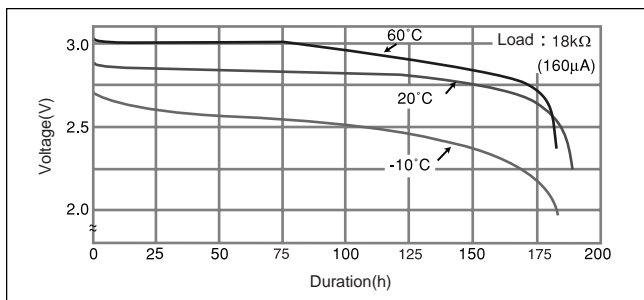
■ Dimensions(mm)



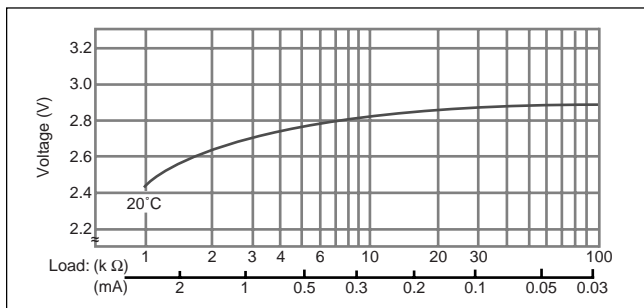
■ Specification

| | |
|-------------------------------|-----------|
| Nominal voltage (V) | 3 |
| Nominal capacity (mAh) | 30 |
| Continuous standard load (mA) | 0.1 |
| Operating temperature (C) | -30 ~ +60 |

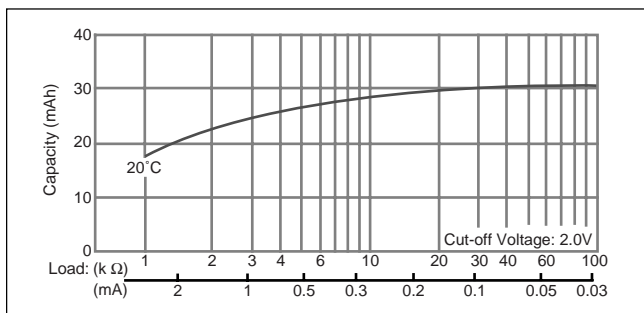
■ Temperature Characteristics



■ Operating voltage vs. load resistance (voltage at 50% discharge depth)

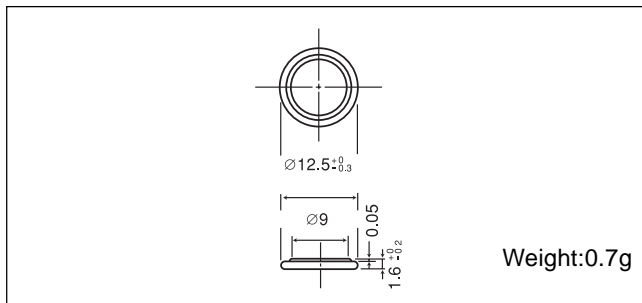


■ Capacity vs. load resistance



CR1216

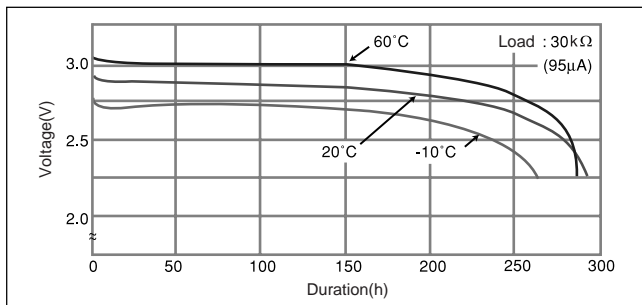
■ Dimensions(mm)



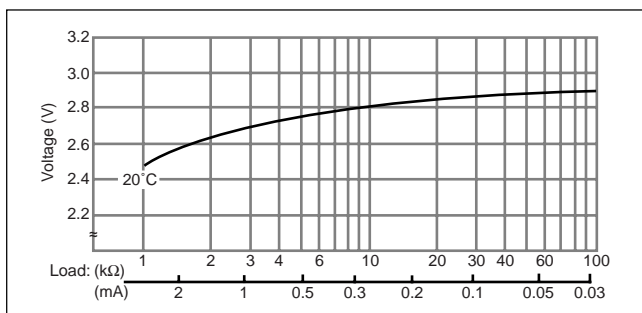
■ Specification

| | |
|-------------------------------|-----------|
| Nominal voltage (V) | 3 |
| Nominal capacity (mAh) | 25 |
| Continuous standard load (mA) | 0.1 |
| Operating temperature (C) | -30 ~ +60 |

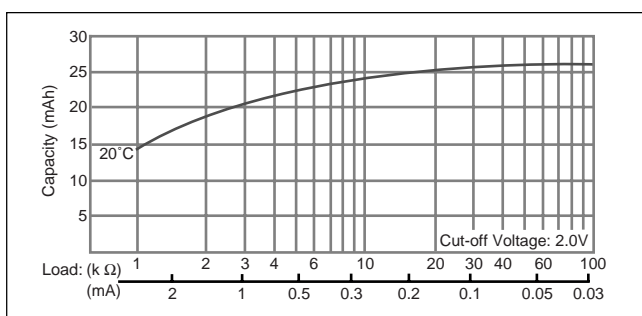
■ Temperature Characteristics



■ Operating voltage vs. load resistance (voltage at 50% discharge depth)



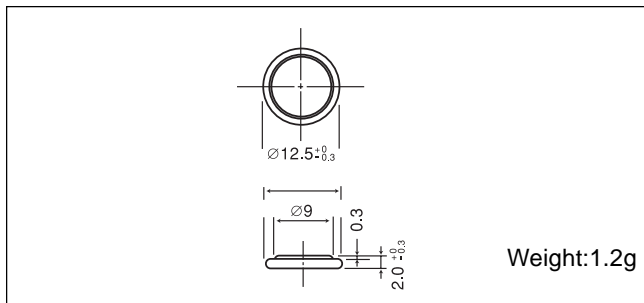
■ Capacity vs. load resistance



Manganese Dioxide Lithium Coin Batteries: Individual Specifications

CR1220

■ Dimensions(mm)



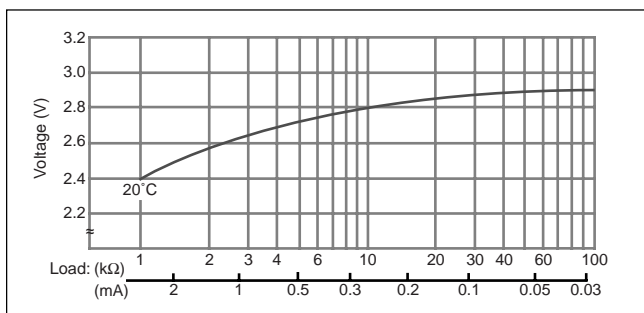
■ Specification

| | |
|-------------------------------|-----------|
| Nominal voltage (V) | 3 |
| Nominal capacity (mAh) | 35 |
| Continuous standard load (mA) | 0.1 |
| Operating temperature (C) | -30 ~ +60 |

■ Temperature Characteristics



■ Operating voltage vs. load resistance (voltage at 50% discharge depth)

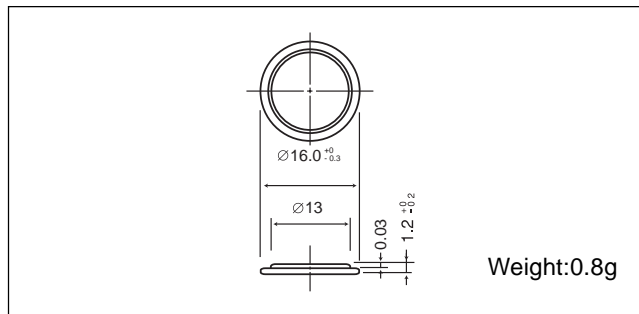


■ Capacity vs. load resistance



CR1612

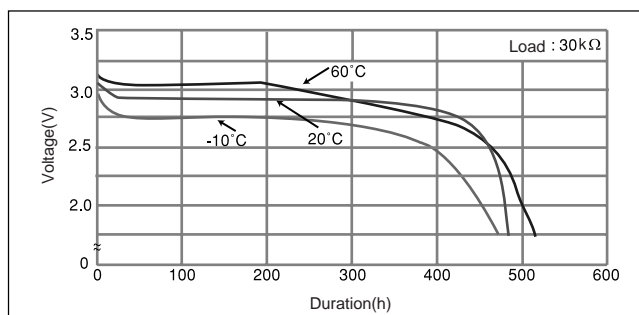
■ Dimensions(mm)



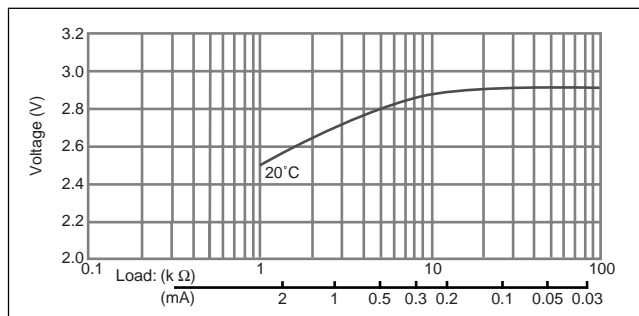
■ Specification

| | |
|-------------------------------|-----------|
| Nominal voltage (V) | 3 |
| Nominal capacity (mAh) | 40 |
| Continuous standard load (mA) | 0.1 |
| Operating temperature (C) | -30 ~ +60 |

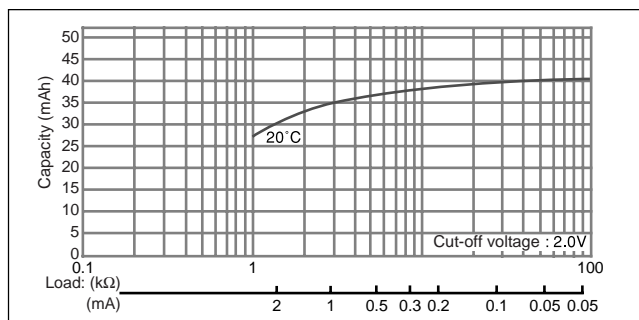
■ Temperature Characteristics



■ Operating voltage vs. load resistance (voltage at 50% discharge depth)



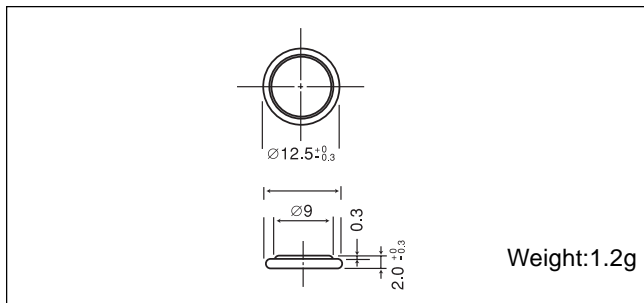
■ Capacity vs. load resistance



Manganese Dioxide Lithium Coin Batteries: Individual Specifications

CR1220

■ Dimensions(mm)



■ Specification

| | |
|-------------------------------|-----------|
| Nominal voltage (V) | 3 |
| Nominal capacity (mAh) | 35 |
| Continuous standard load (mA) | 0.1 |
| Operating temperature (C) | -30 ~ +60 |

■ Temperature Characteristics



■ Operating voltage vs. load resistance (voltage at 50% discharge depth)



■ Capacity vs. load resistance



CR1612

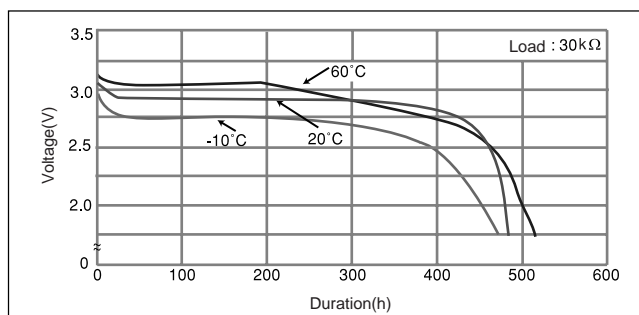
■ Dimensions(mm)



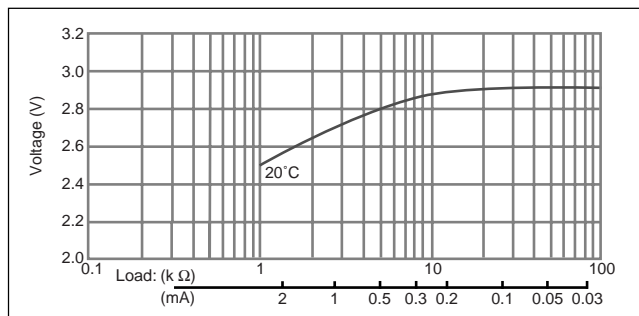
■ Specification

| | |
|-------------------------------|-----------|
| Nominal voltage (V) | 3 |
| Nominal capacity (mAh) | 40 |
| Continuous standard load (mA) | 0.1 |
| Operating temperature (C) | -30 ~ +60 |

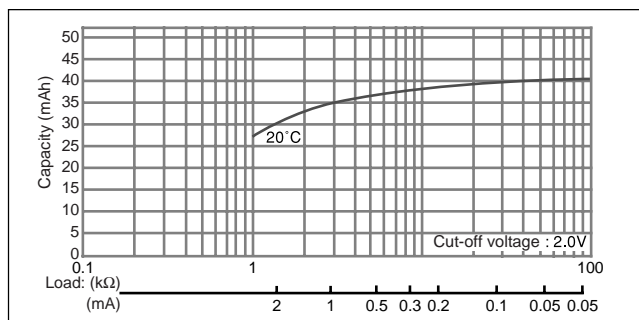
■ Temperature Characteristics



■ Operating voltage vs. load resistance (voltage at 50% discharge depth)



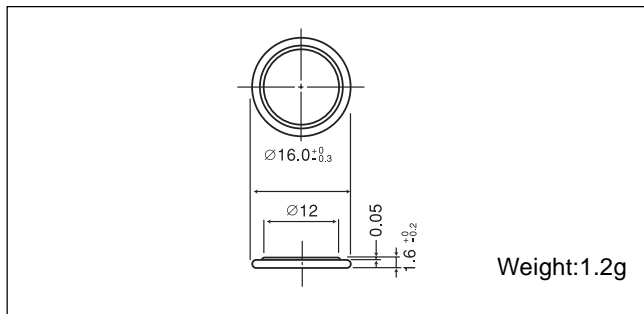
■ Capacity vs. load resistance



Manganese Dioxide Lithium Coin Batteries: Individual Specifications

CR1616

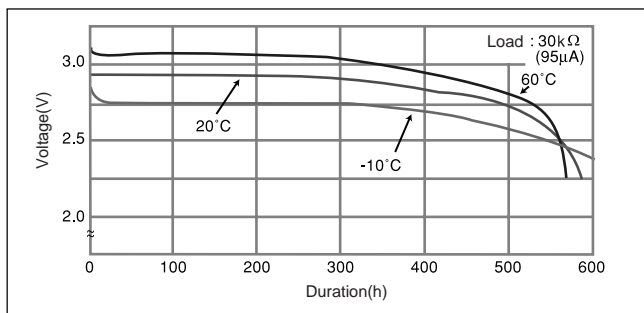
■ Dimensions(mm)



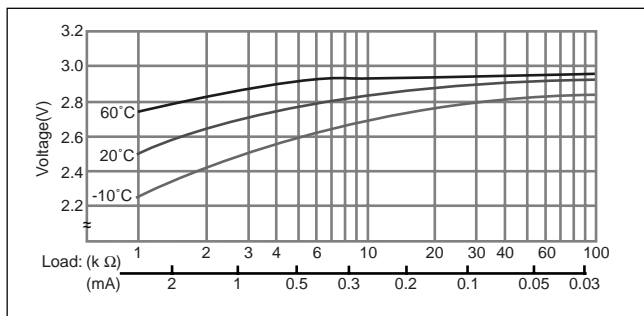
■ Specification

| | |
|--------------------------------------|-----------|
| Nominal voltage (V) | 3 |
| Nominal capacity (mAh) | 55 |
| Continuous standard load (mA) | 0.1 |
| Operating temperature (C) | -30 ~ +60 |

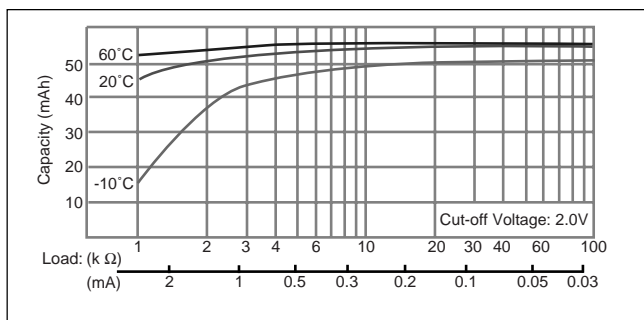
■ Temperature Characteristics



■ Operating voltage vs. load resistance (voltage at 50% discharge depth)

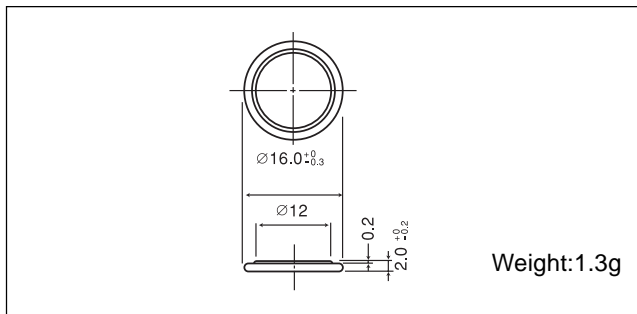


■ Capacity vs. load resistance



CR1620

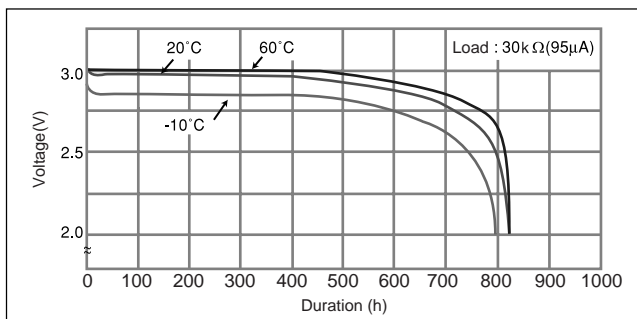
■ Dimensions(mm)



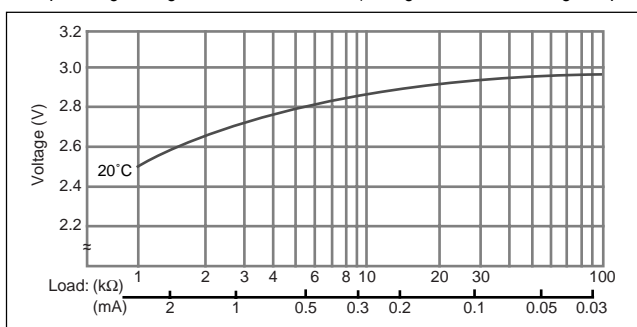
■ Specification

| | |
|--------------------------------------|-----------|
| Nominal voltage (V) | 3 |
| Nominal capacity (mAh) | 75 |
| Continuous standard load (mA) | 0.1 |
| Operating temperature (C) | -30 ~ +60 |

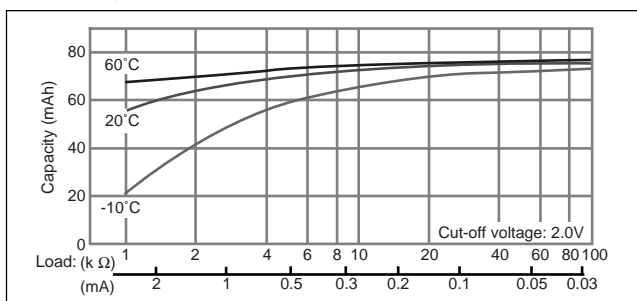
■ Temperature Characteristics



■ Operating voltage vs. load resistance (voltage at 50% discharge depth)



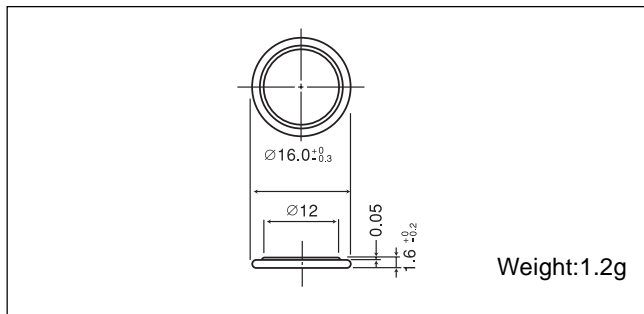
■ Capacity vs. load resistance



Manganese Dioxide Lithium Coin Batteries: Individual Specifications

CR1616

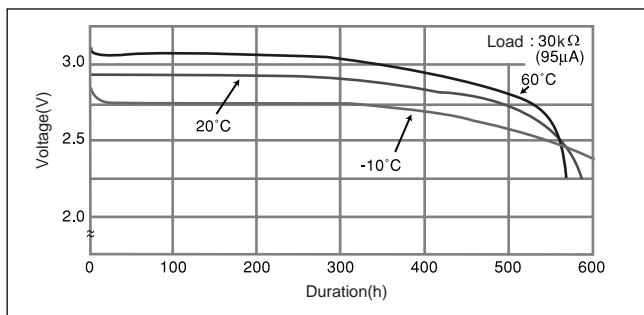
■ Dimensions(mm)



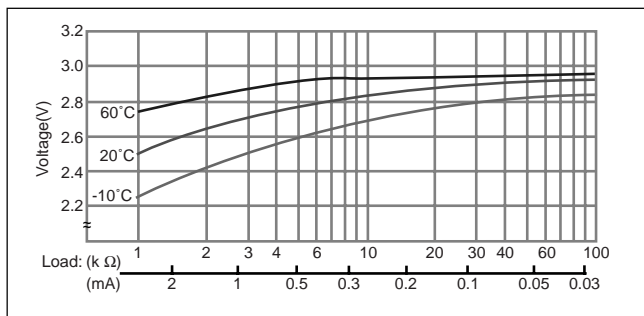
■ Specification

| | |
|--------------------------------------|-----------|
| Nominal voltage (V) | 3 |
| Nominal capacity (mAh) | 55 |
| Continuous standard load (mA) | 0.1 |
| Operating temperature (C) | -30 ~ +60 |

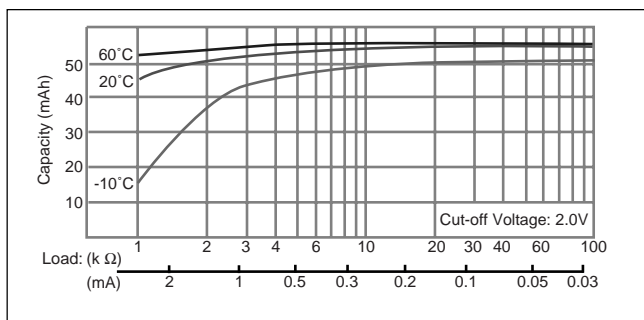
■ Temperature Characteristics



■ Operating voltage vs. load resistance (voltage at 50% discharge depth)

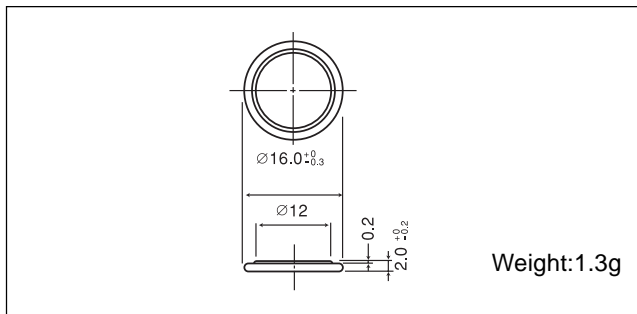


■ Capacity vs. load resistance



CR1620

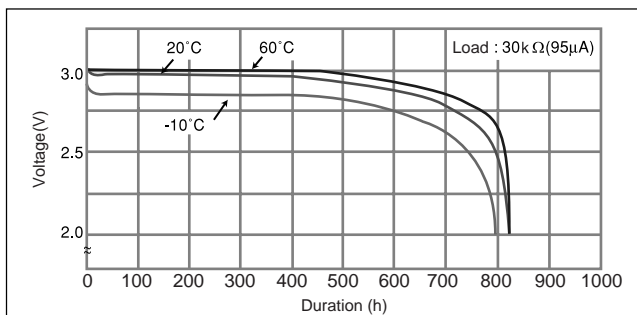
■ Dimensions(mm)



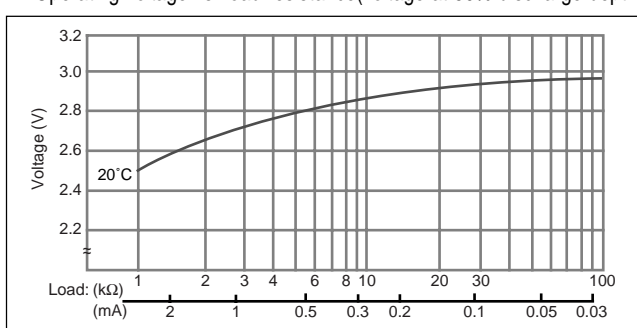
■ Specification

| | |
|--------------------------------------|-----------|
| Nominal voltage (V) | 3 |
| Nominal capacity (mAh) | 75 |
| Continuous standard load (mA) | 0.1 |
| Operating temperature (C) | -30 ~ +60 |

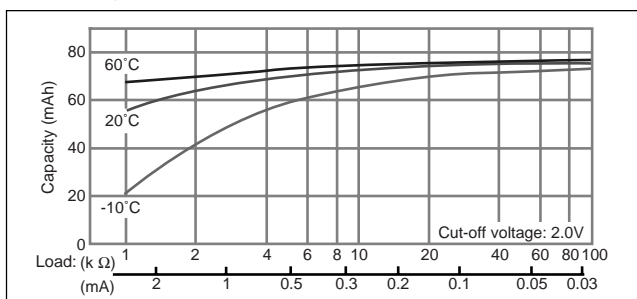
■ Temperature Characteristics



■ Operating voltage vs. load resistance (voltage at 50% discharge depth)



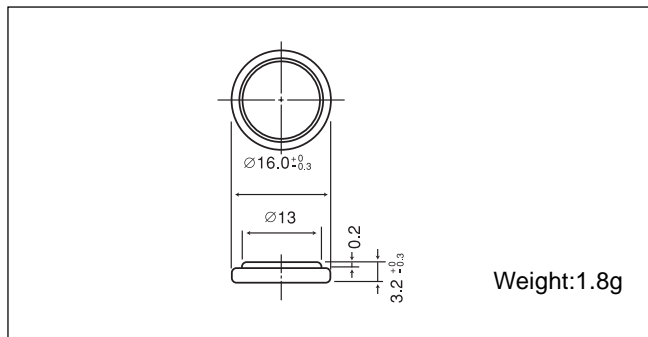
■ Capacity vs. load resistance



Manganese Dioxide Lithium Coin Batteries: Individual Specifications

CR1632

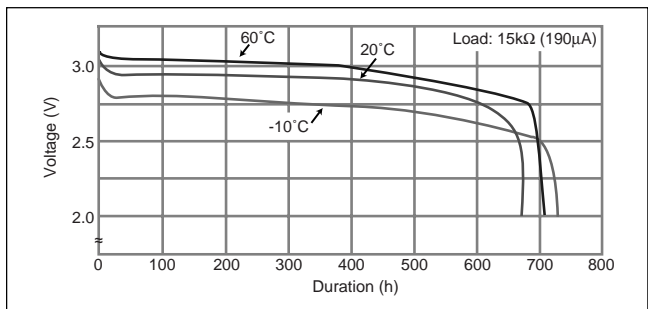
■ Dimensions(mm)



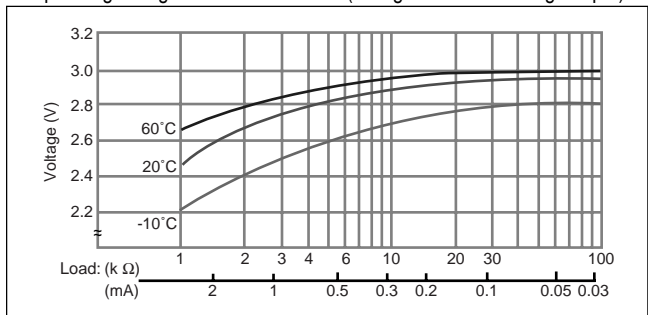
■ Specification

| | |
|-------------------------------|-----------|
| Nominal voltage (V) | 3 |
| Nominal capacity (mAh) | 140 |
| Continuous standard load (mA) | 0.1 |
| Operating temperature (C) | -30 ~ +60 |

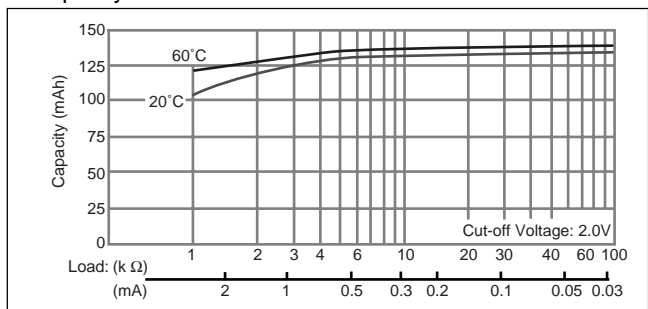
■ Temperature Characteristics



■ Operating voltage vs. load resistance (voltage at 50% discharge depth)



■ Capacity vs. load resistance



CR2012

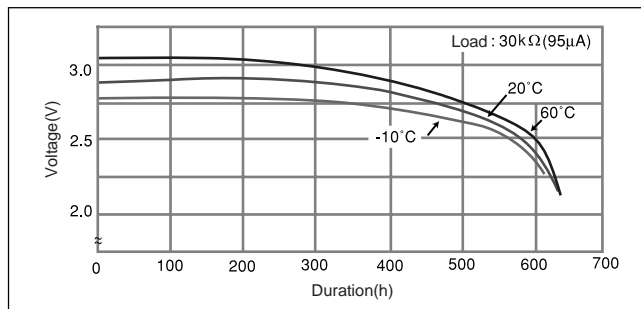
■ Dimensions(mm)



■ Specification

| | |
|-------------------------------|-----------|
| Nominal voltage (V) | 3 |
| Nominal capacity (mAh) | 55 |
| Continuous standard load (mA) | 0.1 |
| Operating temperature (C) | -30 ~ +60 |

■ Temperature Characteristics



■ Operating voltage vs. load resistance (voltage at 50% discharge depth)



■ Capacity vs. load resistance



Manganese Dioxide Lithium Coin Batteries: Individual Specifications

CR2016

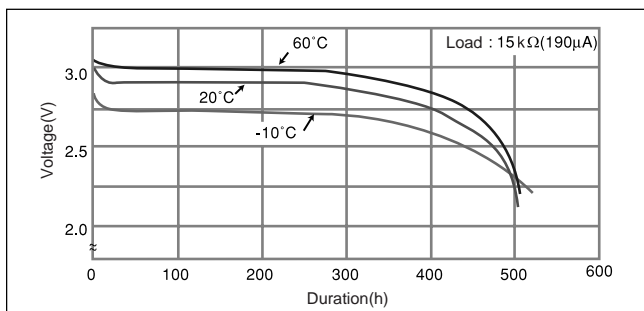
■ Dimensions(mm)



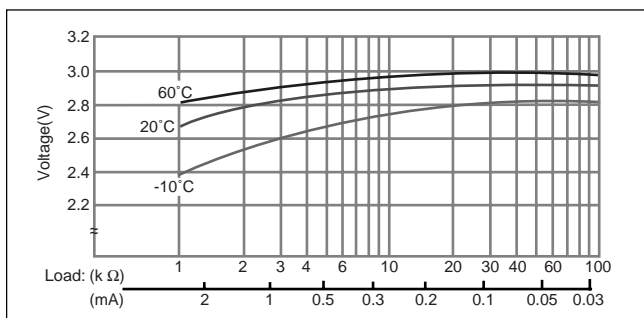
■ Specification

| | |
|-------------------------------|-----------|
| Nominal voltage (V) | 3 |
| Nominal capacity (mAh) | 90 |
| Continuous standard load (mA) | 0.1 |
| Operating temperature (C) | -30 ~ +60 |

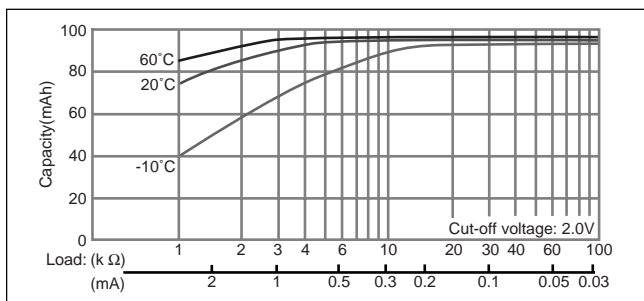
■ Temperature Characteristics



■ Operating voltage vs. load resistance (voltage at 50% discharge depth)

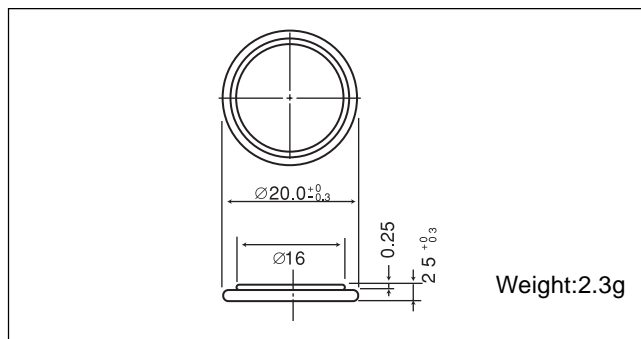


■ Capacity vs. load resistance



CR2025

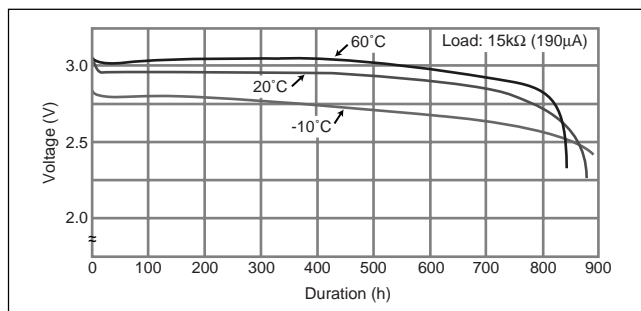
■ Dimensions(mm)



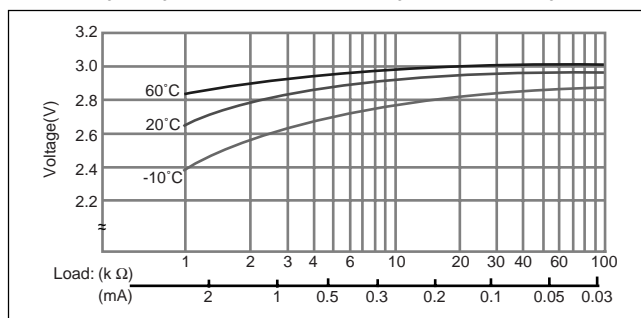
■ Specification

| | |
|-------------------------------|-----------|
| Nominal voltage (V) | 3 |
| Nominal capacity (mAh) | 165 |
| Continuous standard load (mA) | 0.2 |
| Operating temperature (C) | -30 ~ +60 |

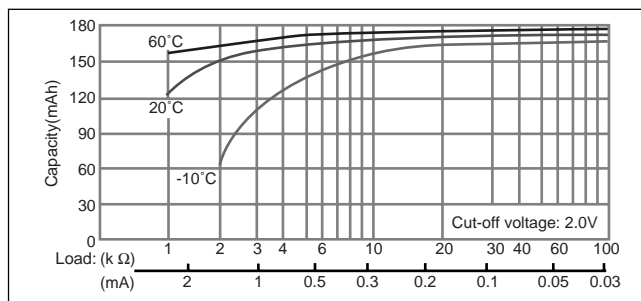
■ Temperature Characteristics



■ Operating voltage vs. load resistance (voltage at 50% discharge depth)



■ Capacity vs. load resistance



Manganese Dioxide Lithium Coin Batteries: Individual Specifications

CR2016

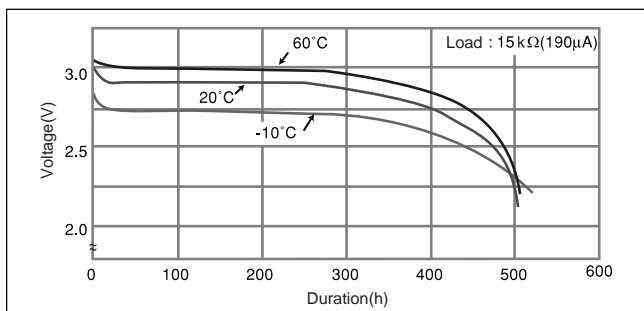
■ Dimensions(mm)



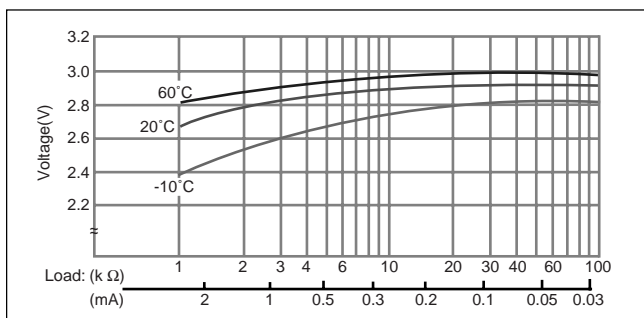
■ Specification

| | |
|-------------------------------|-----------|
| Nominal voltage (V) | 3 |
| Nominal capacity (mAh) | 90 |
| Continuous standard load (mA) | 0.1 |
| Operating temperature (C) | -30 ~ +60 |

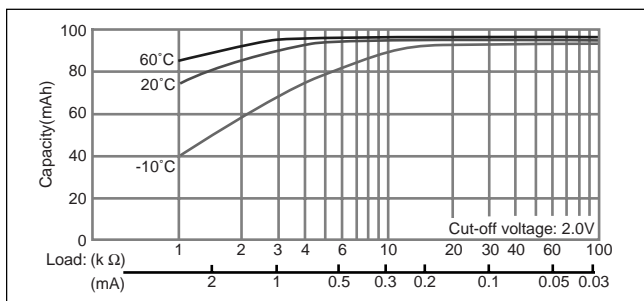
■ Temperature Characteristics



■ Operating voltage vs. load resistance (voltage at 50% discharge depth)



■ Capacity vs. load resistance



CR2025

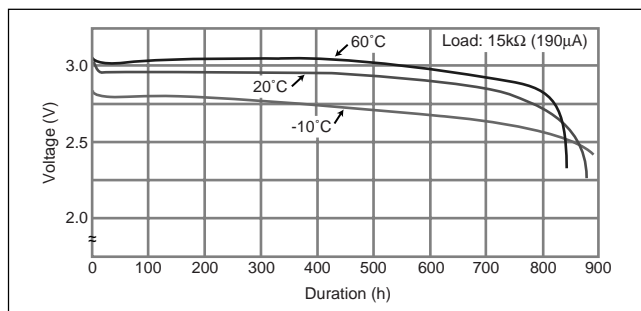
■ Dimensions(mm)



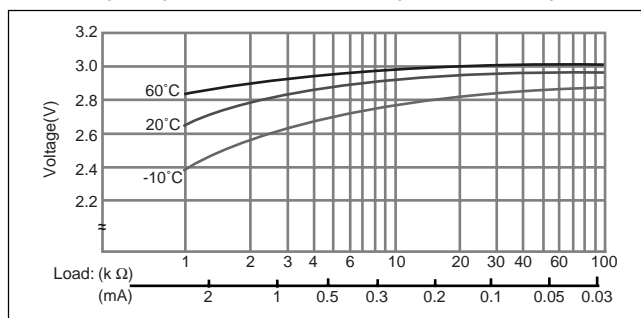
■ Specification

| | |
|-------------------------------|-----------|
| Nominal voltage (V) | 3 |
| Nominal capacity (mAh) | 165 |
| Continuous standard load (mA) | 0.2 |
| Operating temperature (C) | -30 ~ +60 |

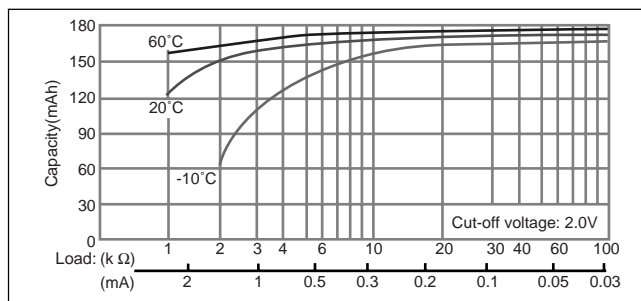
■ Temperature Characteristics



■ Operating voltage vs. load resistance (voltage at 50% discharge depth)



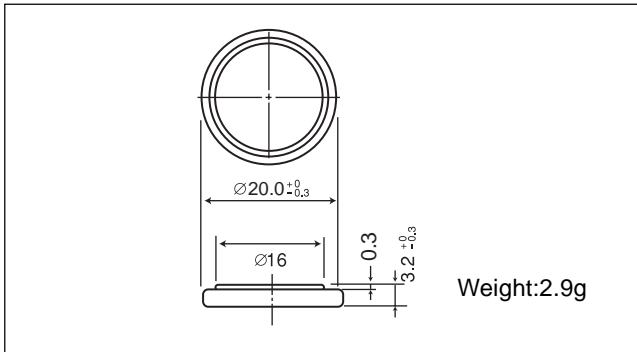
■ Capacity vs. load resistance



Manganese Dioxide Lithium Coin Batteries: Individual Specifications

CR2032

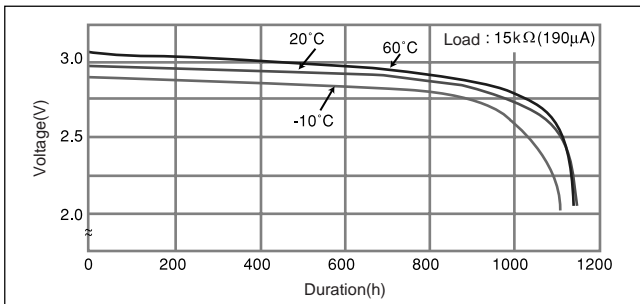
□ Dimensions(mm)



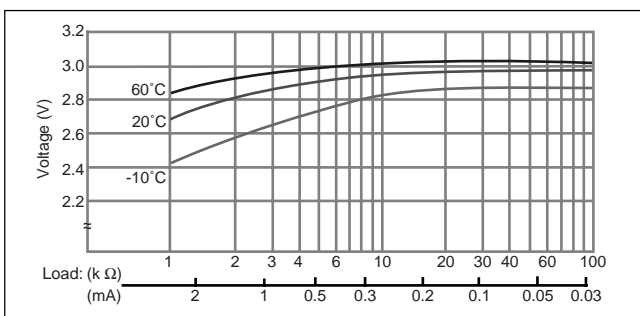
□ Specification

| | |
|-------------------------------|-----------|
| Nominal voltage (V) | 3 |
| Nominal capacity (mAh) | 225 |
| Continuous standard load (mA) | 0.2 |
| Operating temperature (C) | -30 ~ +60 |

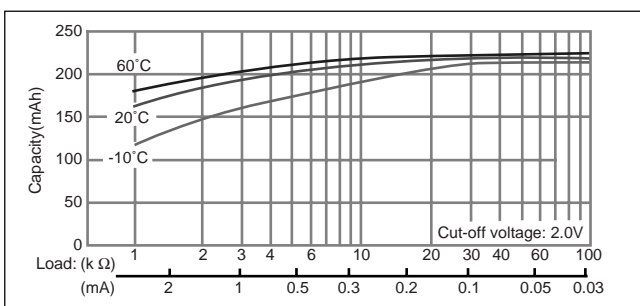
□ Temperature Characteristics



□ Operating voltage vs. load resistance (voltage at 50% discharge depth)

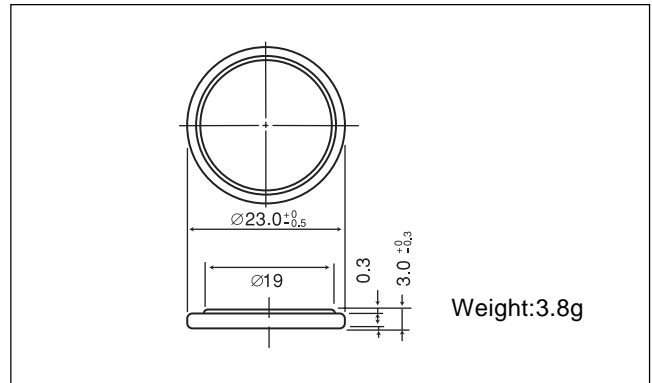


□ Capacity vs. load resistance



CR2330

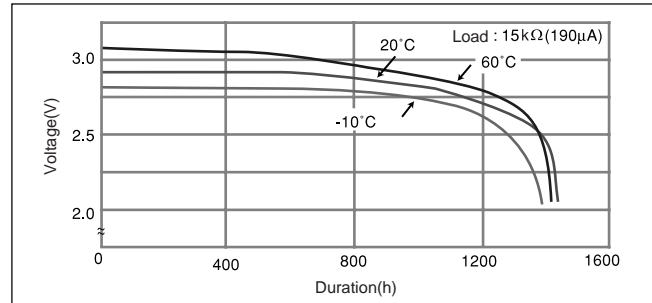
□ Dimensions(mm)



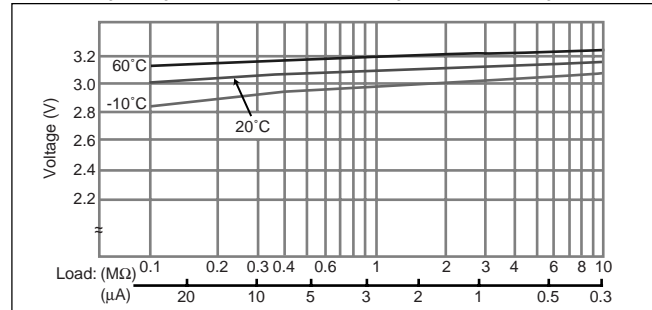
□ Specification

| | |
|-------------------------------|-----------|
| Nominal voltage (V) | 3 |
| Nominal capacity (mAh) | 265 |
| Continuous standard load (mA) | 0.2 |
| Operating temperature (C) | -30 ~ +60 |

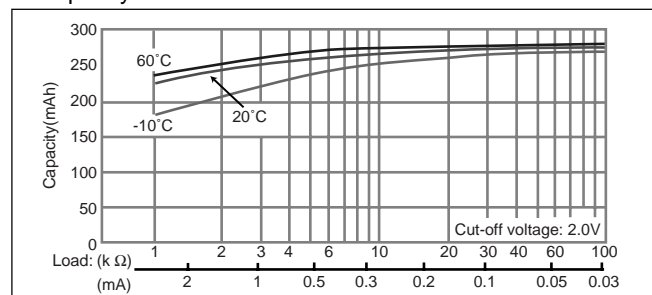
□ Temperature Characteristics



□ Operating voltage vs. load resistance (voltage at 50% discharge depth)



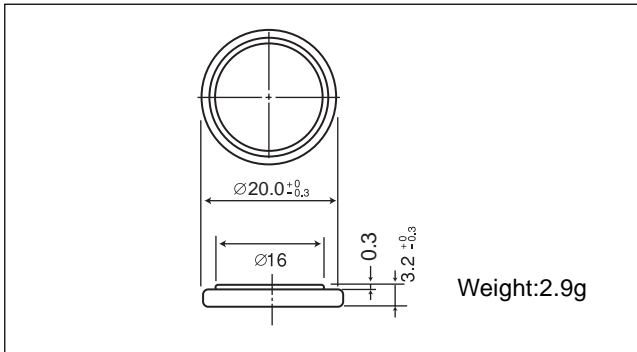
□ Capacity vs. load resistance



Manganese Dioxide Lithium Coin Batteries: Individual Specifications

CR2032

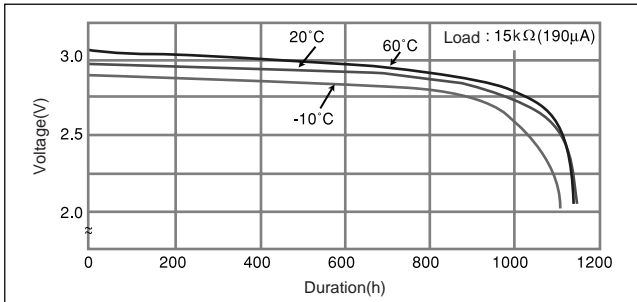
□ Dimensions(mm)



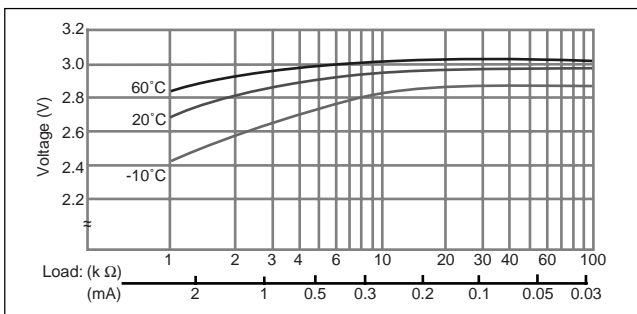
□ Specification

| | |
|-------------------------------|-----------|
| Nominal voltage (V) | 3 |
| Nominal capacity (mAh) | 225 |
| Continuous standard load (mA) | 0.2 |
| Operating temperature (C) | -30 ~ +60 |

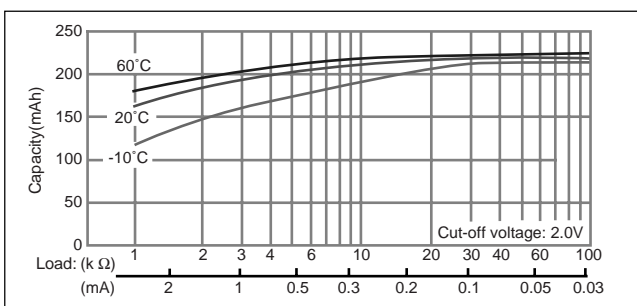
□ Temperature Characteristics



□ Operating voltage vs. load resistance (voltage at 50% discharge depth)

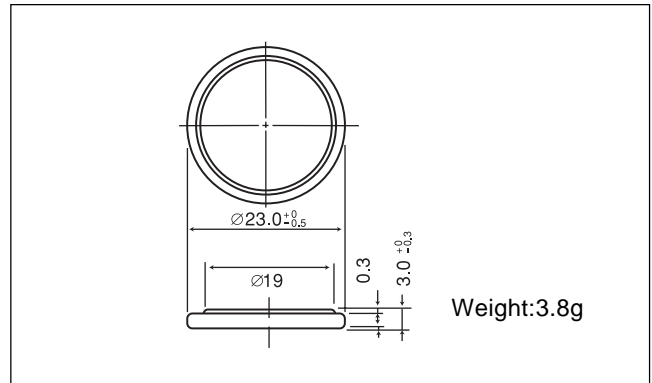


□ Capacity vs. load resistance



CR2330

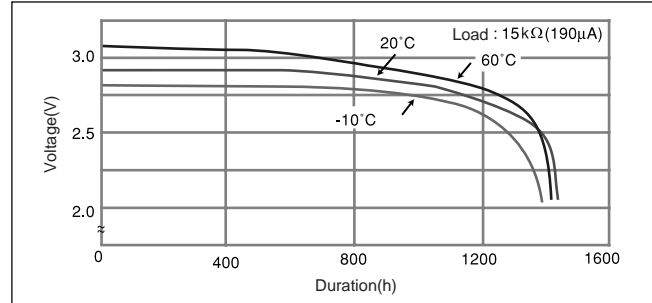
□ Dimensions(mm)



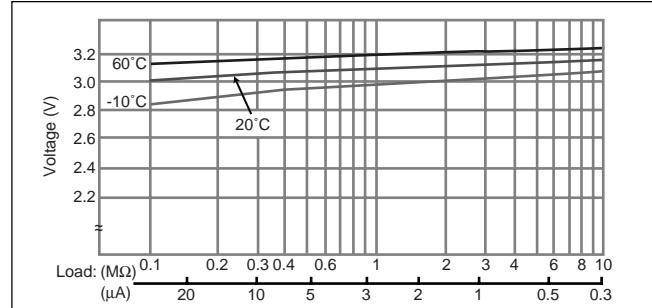
□ Specification

| | |
|-------------------------------|-----------|
| Nominal voltage (V) | 3 |
| Nominal capacity (mAh) | 265 |
| Continuous standard load (mA) | 0.2 |
| Operating temperature (C) | -30 ~ +60 |

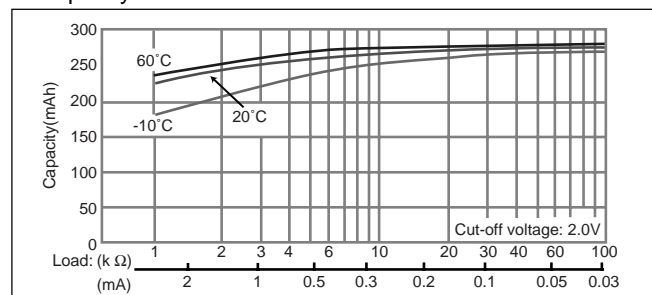
□ Temperature Characteristics



□ Operating voltage vs. load resistance (voltage at 50% discharge depth)



□ Capacity vs. load resistance



Manganese Dioxide Lithium Coin Batteries: Individual Specifications

CR2354

□ Dimensions(mm)



□ Specification

| | |
|--------------------------------------|-----------|
| Nominal voltage (V) | 3 |
| Nominal capacity (mAh) | 560 |
| Continuous standard load (mA) | 0.2 |
| Operating temperature (C) | -30 ~ +60 |

□ Temperature Characteristics



□ Operating voltage vs. load resistance (voltage at 50% discharge depth)



□ Capacity vs. load resistance



CR2412

□ Dimensions(mm)



□ Specification

| | |
|--------------------------------------|-----------|
| Nominal voltage (V) | 3 |
| Nominal capacity (mAh) | 100 |
| Continuous standard load (mA) | 0.2 |
| Operating temperature (C) | -30 ~ +60 |

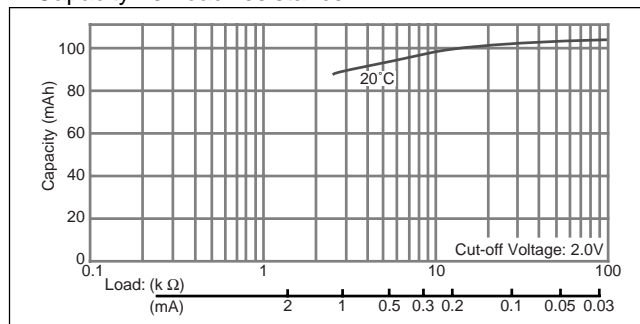
□ Temperature Characteristics



□ Operating voltage vs. load resistance (voltage at 50% discharge depth)



□ Capacity vs. load resistance



Manganese Dioxide Lithium Coin Batteries: Individual Specifications

CR2354

□ Dimensions(mm)



□ Specification

| | |
|--------------------------------------|-----------|
| Nominal voltage (V) | 3 |
| Nominal capacity (mAh) | 560 |
| Continuous standard load (mA) | 0.2 |
| Operating temperature (C) | -30 ~ +60 |

□ Temperature Characteristics



□ Operating voltage vs. load resistance (voltage at 50% discharge depth)



□ Capacity vs. load resistance



CR2412

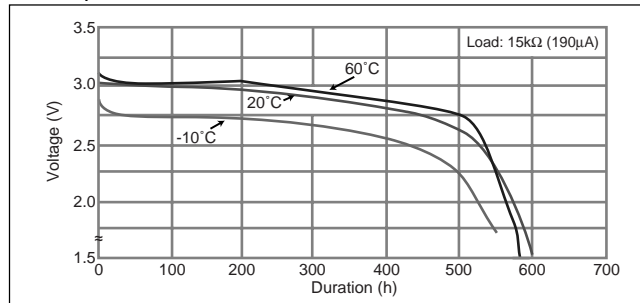
□ Dimensions(mm)



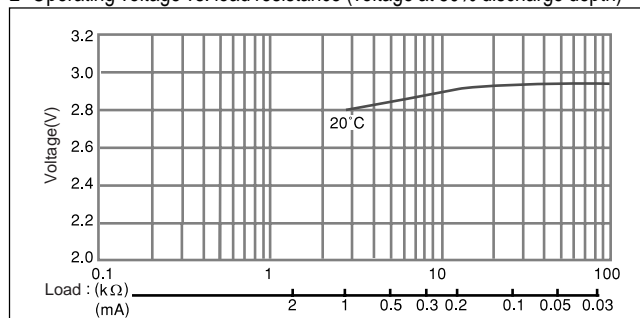
□ Specification

| | |
|--------------------------------------|-----------|
| Nominal voltage (V) | 3 |
| Nominal capacity (mAh) | 100 |
| Continuous standard load (mA) | 0.2 |
| Operating temperature (C) | -30 ~ +60 |

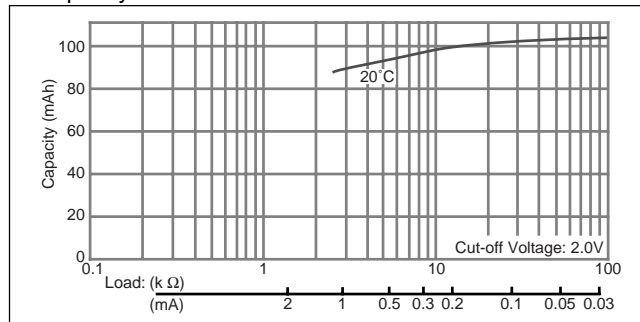
□ Temperature Characteristics



□ Operating voltage vs. load resistance (voltage at 50% discharge depth)



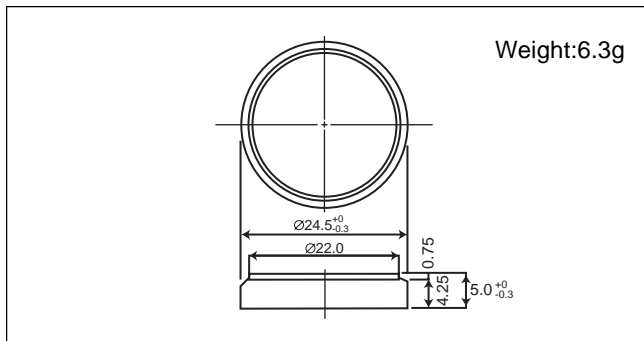
□ Capacity vs. load resistance



Manganese Dioxide Lithium Coin Batteries: Individual Specifications

CR2450

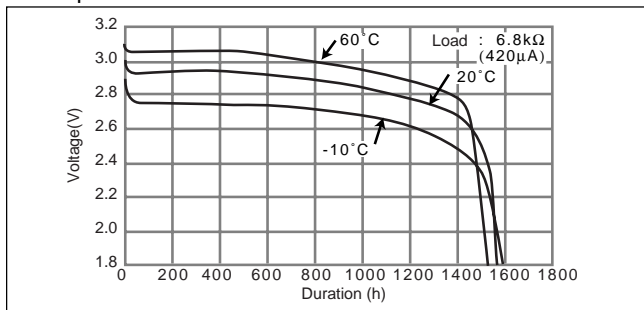
■ Dimensions(mm)



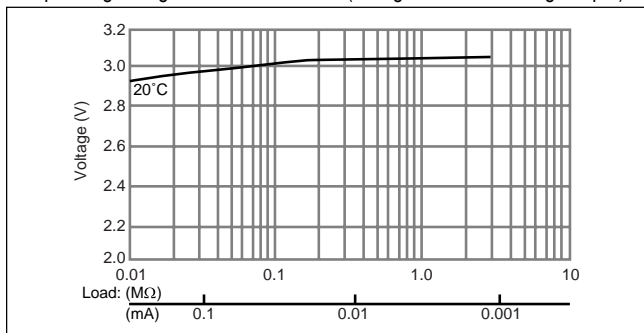
■ Specification

| | |
|-------------------------------|-----------|
| Nominal voltage (V) | 3 |
| Nominal capacity (mAh) | 620 |
| Continuous standard load (mA) | 0.2 |
| Operating temperature (C) | -30 ~ +60 |

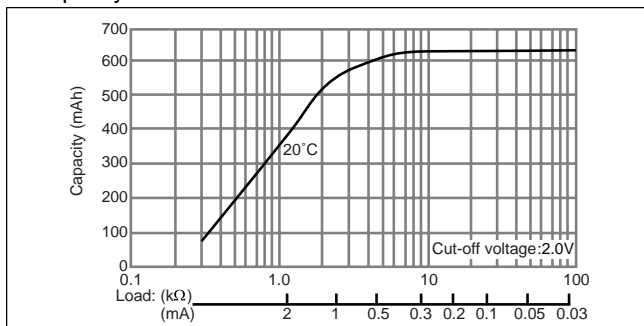
■ Temperature Characteristics



■ Operating voltage vs. load resistance (voltage at 50% discharge depth)

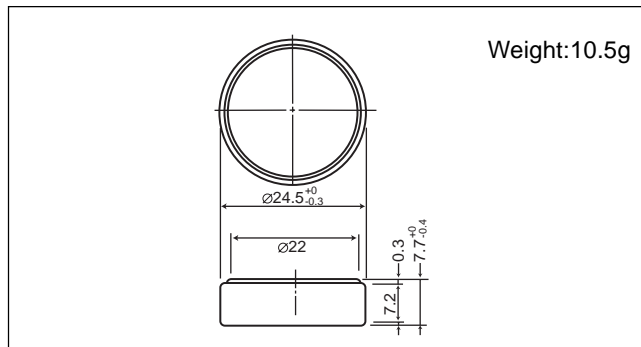


■ Capacity vs. load resistance



CR2477

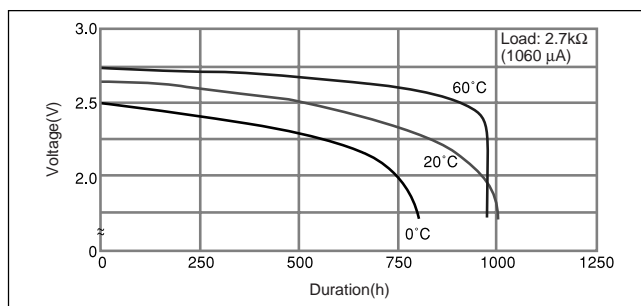
■ Dimensions(mm)



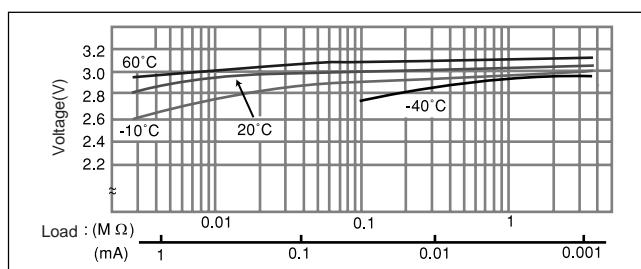
■ Specification

| | |
|-------------------------------|-----------|
| Nominal voltage (V) | 3 |
| Nominal capacity (mAh) | 1,000 |
| Continuous standard load (mA) | 0.2 |
| Operating temperature (C) | -30 ~ +60 |

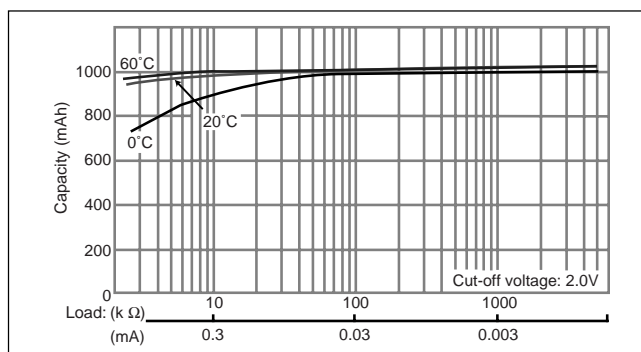
■ Temperature Characteristics



■ Operating voltage vs. load resistance (voltage at 50% discharge depth)



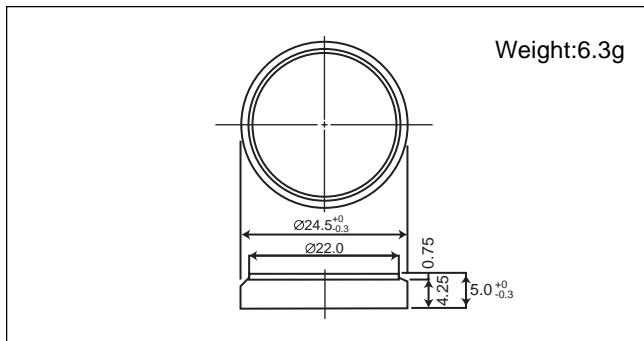
■ Capacity vs. load resistance



Manganese Dioxide Lithium Coin Batteries: Individual Specifications

CR2450

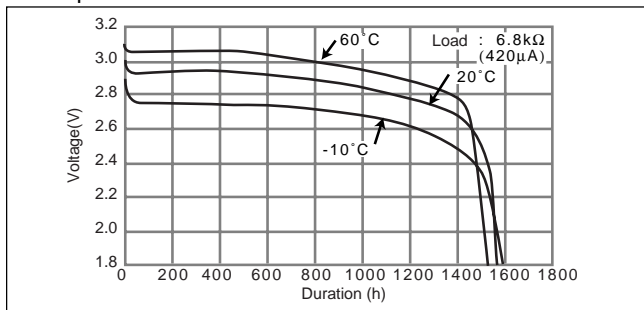
■ Dimensions(mm)



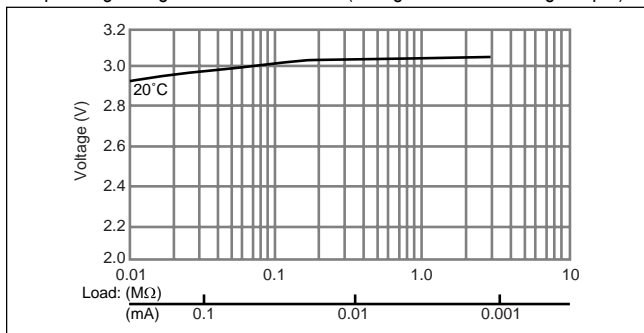
■ Specification

| | |
|-------------------------------|-----------|
| Nominal voltage (V) | 3 |
| Nominal capacity (mAh) | 620 |
| Continuous standard load (mA) | 0.2 |
| Operating temperature (C) | -30 ~ +60 |

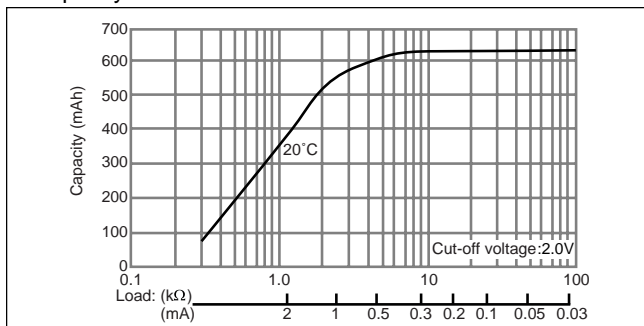
■ Temperature Characteristics



■ Operating voltage vs. load resistance (voltage at 50% discharge depth)

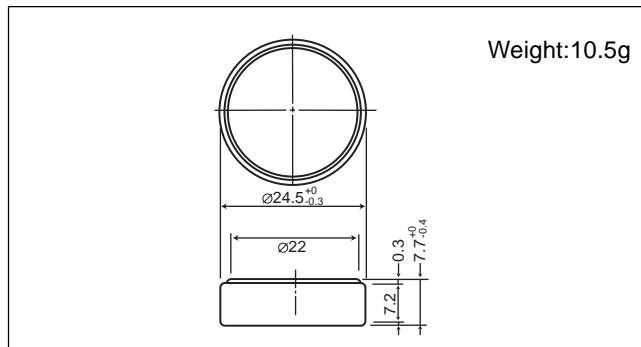


■ Capacity vs. load resistance



CR2477

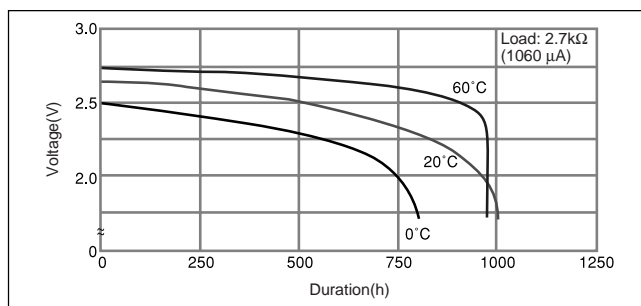
■ Dimensions(mm)



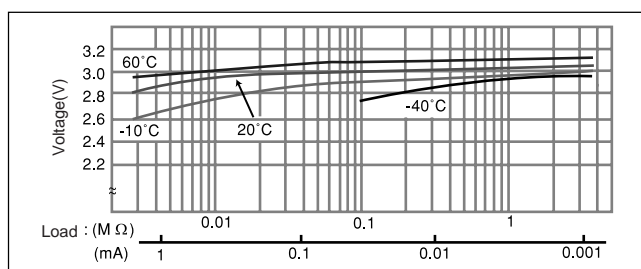
■ Specification

| | |
|-------------------------------|-----------|
| Nominal voltage (V) | 3 |
| Nominal capacity (mAh) | 1,000 |
| Continuous standard load (mA) | 0.2 |
| Operating temperature (C) | -30 ~ +60 |

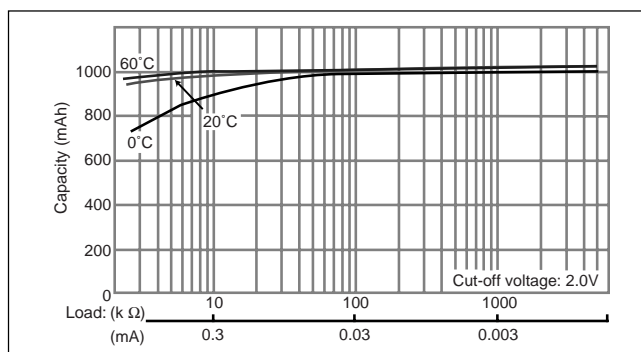
■ Temperature Characteristics



■ Operating voltage vs. load resistance (voltage at 50% discharge depth)



■ Capacity vs. load resistance



Manganese Dioxide Lithium Coin Batteries: Individual Specifications

CR3032

□ Dimensions(mm)



□ Specification

| | |
|--------------------------------------|-----------|
| Nominal voltage (V) | 3 |
| Nominal capacity (mAh) | 500 |
| Continuous standard load (mA) | 0.2 |
| Operating temperature (C) | -30 ~ +60 |

□ Temperature Characteristics



□ Operating voltage vs. load resistance (voltage at 50% discharge depth)



□ Capacity vs. load resistance

