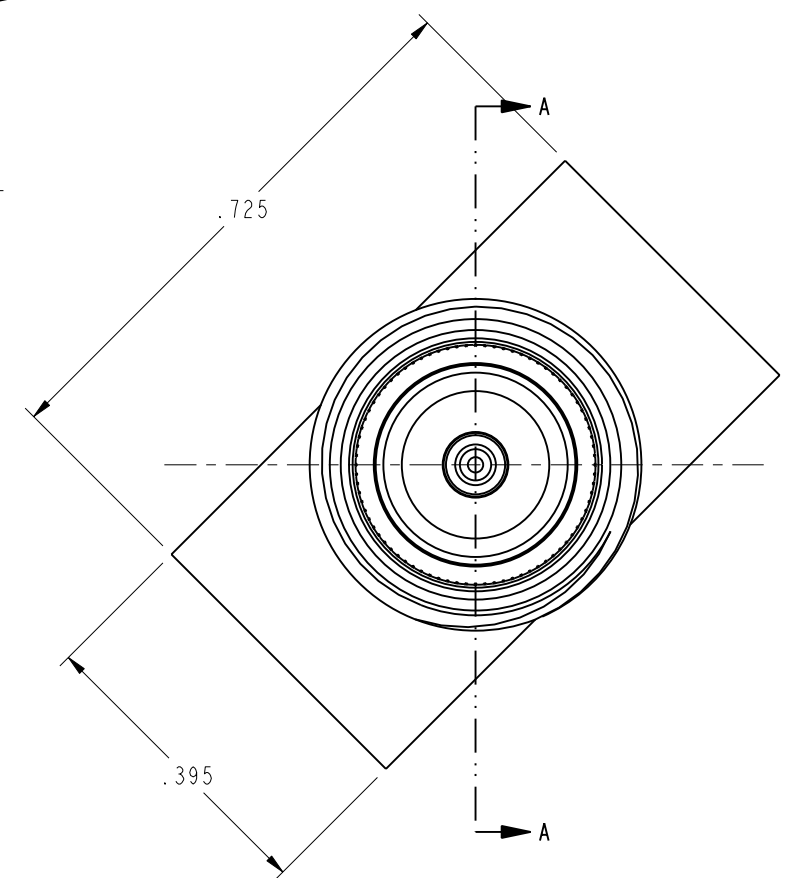
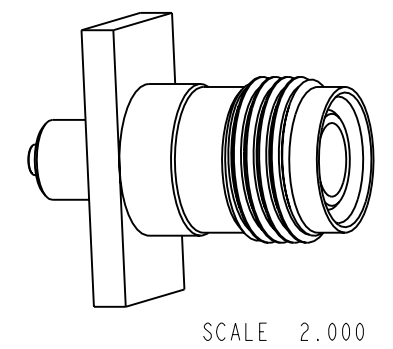
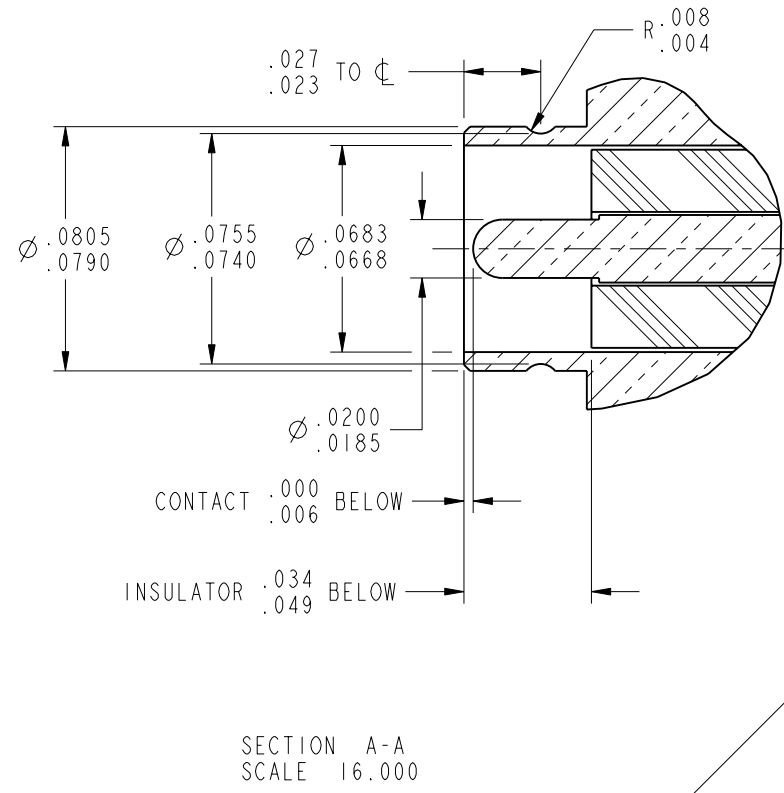
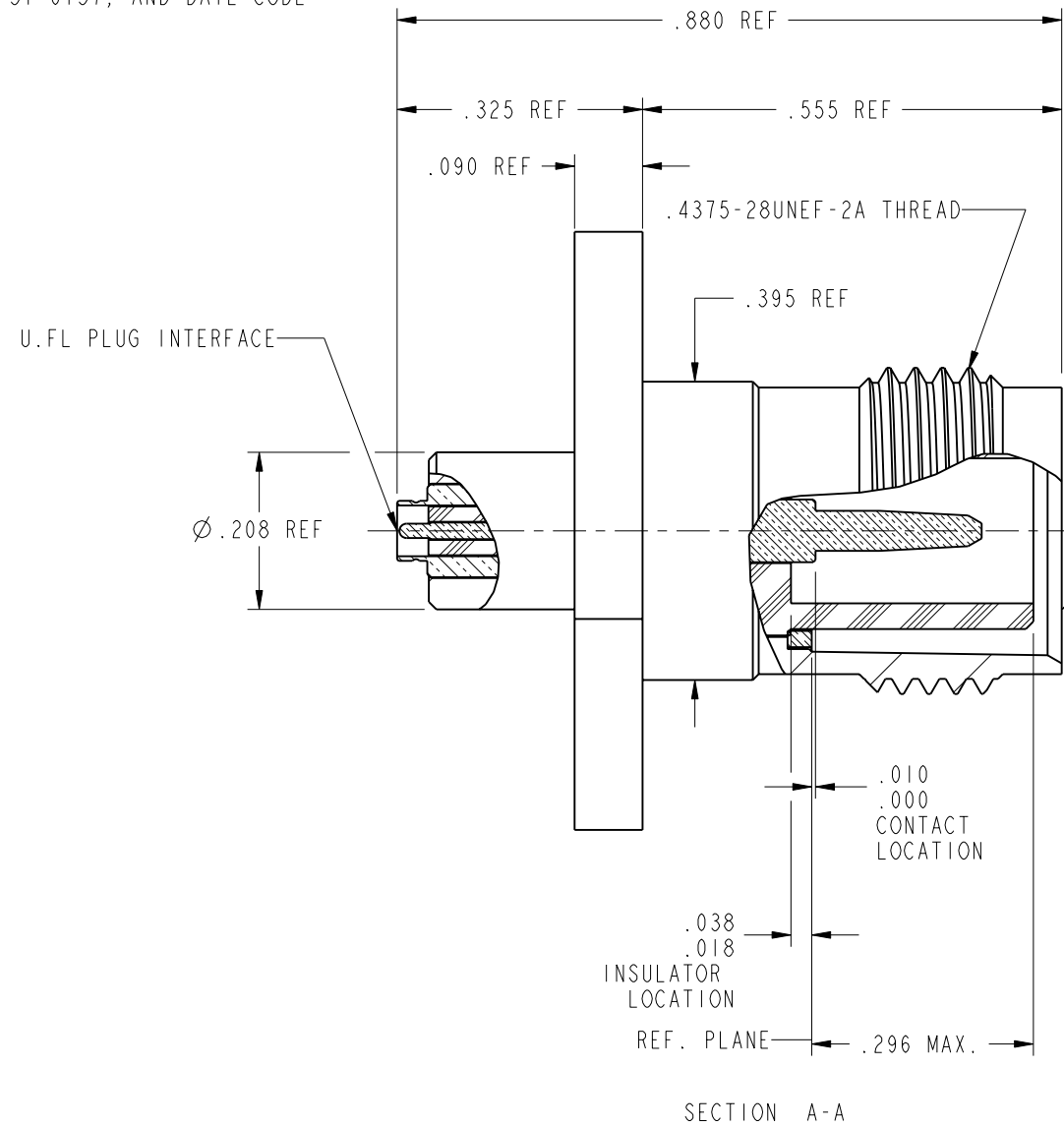


NOTES:

1. MATERIALS AND FINISHES:  
 BODY - BRASS, NICKEL PLATING (.00008 THICK MIN.)  
 CONTACT - BRASS, GOLD PLATING (.00003 THICK MIN.)  
 INSULATOR - PTFE
2. ELECTRICAL:  
 A. IMPEDANCE: 50 OHM  
 B. FREQUENCY RANGE: DC - 3 GHz
3. MECHANICAL:  
 A. DURABILITY: TNC, 500 CYCLES MIN.  
                   AMC, 30 CYCLES MIN.  
 B. TEMPERATURE RANGE: -40° C TO 90° C  
 C. AMC INTERFACE IS FULLY COMPATIBLE WITH "U.FL" SERIES PRODUCT
4. PACKAGING:  
 A. QUANTITY: SINGLE PACK  
 B. MARKING: BAG TO BE MARKED  
           "AMPHENOL, 31-6137, AND DATE CODE"

31-6137		REVISIONS			
DRAWING NO.	REV	DESCRIPTION	DATE	ECO	APPR
THIRD ANGLE PROJ.	A	RELEASE TO MFG.	1/8/04	44741	JLB
	B	FIXED TNC BODY	1/16/04	44772	



**CUSTOMER OUTLINE DRAWING**  
 ALL OTHER SHEETS ARE FOR INTERNAL USE ONLY

UNLESS OTHERWISE SPECIFIED, DIMENSIONS ARE IN INCHES AND TOLERANCES ARE: 2 PLACE DECIMAL      3 PLACE DECIMAL      ANGLES ±.015 (0,381 mm)      ±.005 (0,127 mm)      ± 1°	MATERIAL	DRAWN J LEBLANC	DATE 12/04/03	TITLE AMC PLUG TO TNC REVERSE POLARITY JACK PANEL ADAPTER		<b>Amphenol RF</b> Danbury, CT, USA Tainan, Taiwan Shenzhen, China <a href="http://www.amphenolrf.com">www.amphenolrf.com</a>	
	REFERENCE SIMILAR TO 31-6101 GEN# ASSYMI_UFL	ENGINEER G. ANTONINI	DATE 9/12/02				
NOTICE - These drawings, specifications, or other data (1) are, and remain the property of Amphenol Corp. (2) must be returned upon request; and (3) are confidential and not to be disclosed to any person other than those to whom they are given by Amphenol Corp. The furnishing of these drawings, specifications, or other data by Amphenol Corp., or to any other person to anyone for any purpose is not to be regarded by implication or otherwise in any manner licensing, granting rights or permitting such holder or any other person to manufacture, use or sell any product, process or design, patented or otherwise, that may in any way be related to or disclosed by said drawings, specifications, or other data.	CAD FILE I:\TNC\31-6137		CODE ID 74868	DWG SIZE B	DRAWING NO. 31-6137	SCALE: 4.0:1	SHEET 2 OF 2