

1

2

3

4

A

B

C

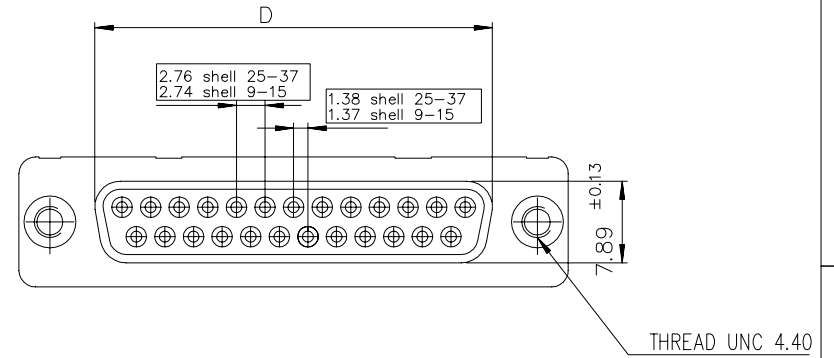
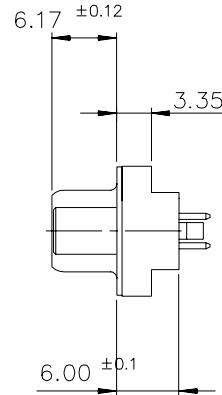
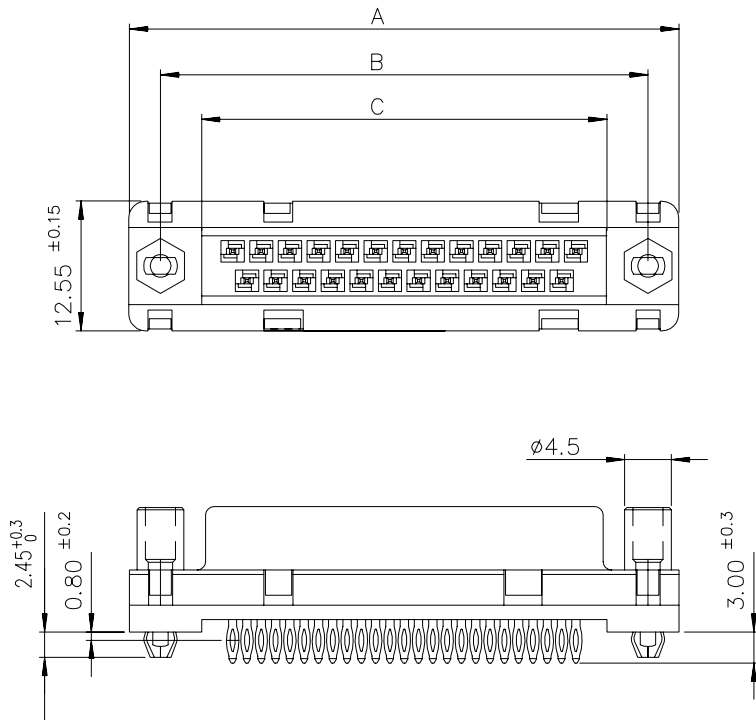
D

A

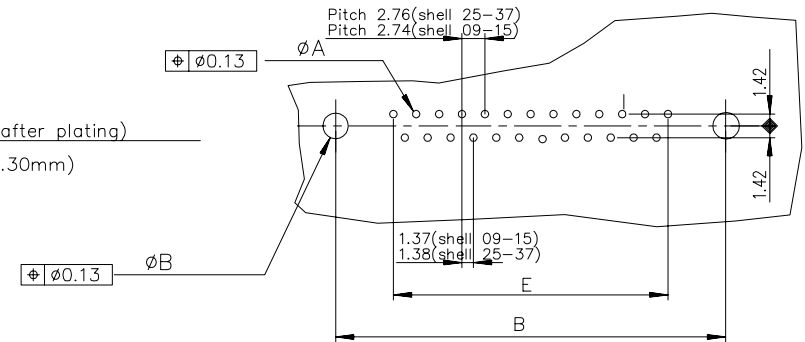
B

C

D



PC board drilling dimensions(after plating)
(thickness ≤ 3.20±0.30mm)



SHELL	A±0.38	B±0.12	C±0.10	D±0.25	E±0.07	TIN LEAD	TIN LEAD	LEAD FREE	LEAD FREE
						PART NUMBER	PART NUMBER	PART NUMBER	PART NUMBER
09	30.81	24.99	16.96	16.21	10.96	D09S91C4GV00	D09S91C6GV00	D09S91C4GV00LF	D09S91C6GV00LF
15	39.14	33.32	25.18	24.54	19.18	D15S91C4GV00	D15S91C6GV00	D15S91C4GV00LF	D15S91C6GV00LF
25	53.03	47.04	39.12	38.25	33.12	D25S91C4GV00	D25S91C6GV00	D25S91C4GV00LF	D25S91C6GV00LF
37	69.32	63.50	55.68	54.71	49.68	D37S91C4GV00	D37S91C6GV00	D37S91C4GV00LF	D37S91C6GV00LF
						200 Mating	500 Mating	200 Mating	500 Mating

GENERAL CHARACTERISTICS AND ROHS INFORMATIONS:
SEE DRAWING C01-8646-0001

European Views

www.fciconnect.com		surface ISO 1302	tolerance std ISO 406 ISO 1101	projection mm
TOLERANCES UNLESS OTHERWISE SPECIFIED				
Dr	JARRY	1994/10/05	ANGULAR	0.X
Eng	JARRY	1994/10/05	LINEAR	±0.1
Chr	NIRMAL GEORGE	2010/12/08	0.XX	±0.1
Appr	SUDHIR VARMA	2010/12/08	0.XXX	±0.1
Product family			D-SUB	Spec ref -
title FEMALE CONNECTOR DELTA D STRAIGHT PRESS-FIT				dwg no C01-8646-0314
catalog no				Rev. H
CUSTOMER				sheet 1 of 1

rev	ecn no	dr	date
C	-	CJA	1996/07/24
D	LS05-004	LMA	2005/01/03
E	LS06-0097	LGO	2006/07/29
F	LS06-0140	LGO	2006/09/22
G	LS08-0217	MPE	2008/11/25
H	I11-0062	MINI	2011/04/05
-	-	-	-



Copyright FCI.

1

2

3

4