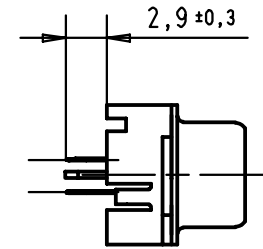
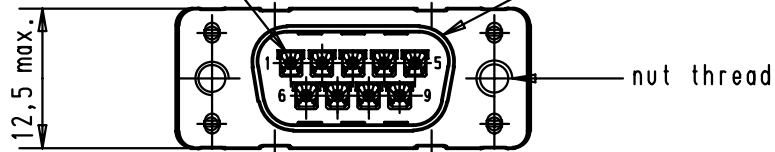


5 4 3 2 1

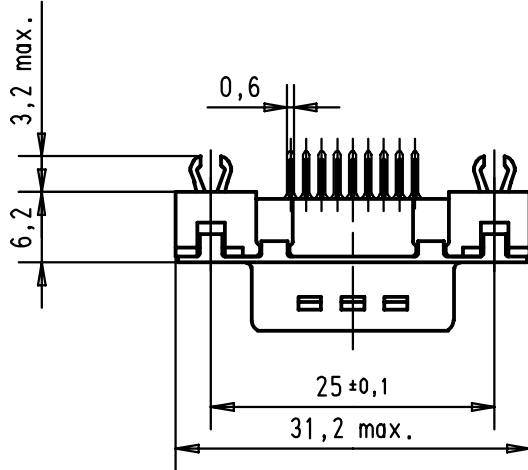
Mating face according to : MIL-C-24308 / DIN 41652 / CECC 75301-802

No. 1 contact

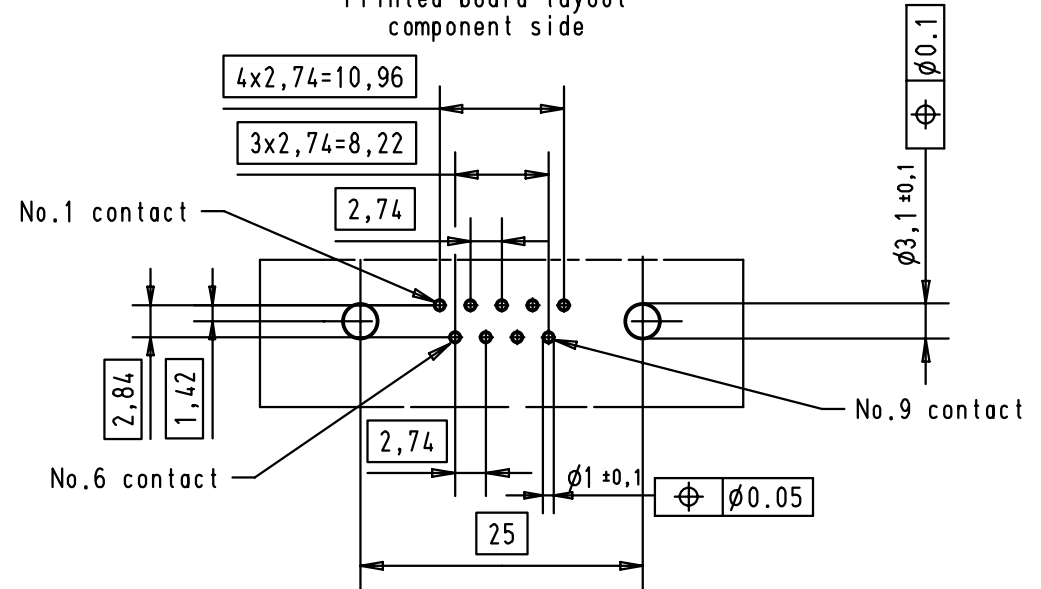
12,5 max.



3,2 max.
6,2



Printed board layout
component side



Connector retention and insertion forces on the PCB = 25 / 80 newtons

A	09 65 169 6711	M3	2						<p>D-Sub, High temperature, 9 poles, male, straight, with solder pins 2.9, nuts and grounding board lock</p>	Maßstab/ Scale 1,5:1
	09 65 169 7711	M3	3							
	09 65 169 5711	M3	0.76 µm Au							
	09 65 169 6712	4-40 UNC	2							
	09 65 169 7712	4-40 UNC	3							
	09 65 169 5712	4-40 UNC	0.76 µm Au	29723	05-MAR-02	CV				
	Part number	Nut thread	Performance level	Mod.	Dat.	Name	HARTING EURL F-95972 Paris		TB 09 65 169 x71x Sub.	Blatt/ Page 1