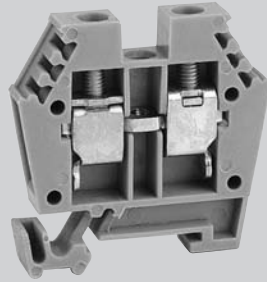


## Screw Connection Single Level

- **Plastic Body:** Polyamide 6.6
- **Internal Bus:** Nickel-plated brass
- **Clamp:** Hardened steel, electro-plated with zinc yellow-chromated
- **Screws:** Steel, zinc-plated and yellow-chromated
- **Marking:** 4 slots on both sides
- **Tracking Resistance:**  
IEC 112: CTI > 600  
VDE 0303: KB > 600

## 6504000 4/15 Mini Feed Through



**Dimensions** 32 mm (L) x 28 mm (H) x 6 mm (W)

**Opening** 4 x 3.3 mm

**Stripping Length** 10 mm

**Screw Thread** M 3

**Central Thread**

**Connecting Capacity** Solid conductors mm<sup>2</sup> 0.5-6  
Stranded conductors mm<sup>2</sup> 0.5-4

**Conductors with Ferrules** DIN 46288 / 1 mm<sup>2</sup> 0.5-4

**Number of Connectable Conductors** 4 x 1.5 mm<sup>2</sup>

**Approvals**



**Wire Range** 24-10 AWG | 24-10 AWG | 4 mm<sup>2</sup>

**Voltage Rating** 300V | 300V | 400V

**Current Rating** 30A | 30A | 32A

**Tightening Torque** Max. 0.6 Nm

**Gauges** A4

### ACCESSORIES

**Available Colors**

6504000 – Gray  
6504001 – Blue  
6504002 – Black  
6504004 – Yellow-Green  
6504005 – Green  
6504006 – Yellow  
6504007 – Orange  
6504008 – Red

**End Plate** Qty. pk. 10  
6800017 – 44 mm (L) x 35 mm (H) x 1.5 mm (W)

**Separator** Qty. pk. 100

**Cover** Qty. pk. 100  
6800081 – 47 mm (L) x 24.5 mm (H) x 4.8 mm (W)

**Jumper-Bar Package** 6800190 – .5M Jumper Bar

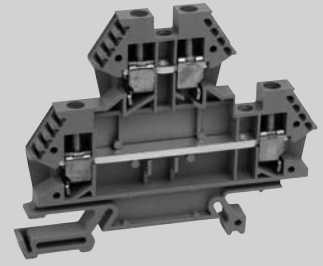
**Jumpers** 2 pole 6800182 – 100 pieces  
3 pole 6800183 – 100 pieces  
4 pole 6800184 – 100 pieces

**End Bracket** Qty. pk. 100  
6804500 – 25 mm (L) x 16 mm (H) x 7 mm (W)

## Screw Connection Dual Level

- **Plastic Body:** Polyamide 66.6 VO
- **Internal Bus:** Silver plated copper
- **Clamp:** Hardened steel, electro-plated with zinc yellow chromated
- **Screws:** Steel, zinc plated and yellow chromated
- **Marking:** 4 slots on both sides
- **Tracking Resistance:**  
IEC 112: CTI > 600  
VDE 0303: KB > 600

## 6204000 D 4-2/16 Feed Through



**Dimensions** 72 mm (L) x 55 mm (H) x 6 mm (W)

**Opening** 4 x 3.3 mm

**Stripping Length** 10 mm

**Terminal Screw** M 3

**Connecting Capacity** Solid conductors mm<sup>2</sup> 0.5-6  
Stranded conductors mm<sup>2</sup> 0.5-4

**Conductors with Ferrules** DIN 46288 / 1 mm<sup>2</sup> 0.5-4

**Number of Connectable Conductors** 4 x 1.5 mm<sup>2</sup>

**Approvals**



**Wire Range** 24-10 AWG | 24-10 AWG | 4 mm<sup>2</sup>

**Voltage Rating** 600V | 600V | 800V

**Current Rating** 30A | 30A | 32A

**Tightening Torque** Max. 0.6 Nm

**Gauges** A4

### ACCESSORIES

**Available Colors**

6204000 – Gray  
6204001 – Blue  
6204002 – Black  
6204003 – Brown  
6204004 – Yellow-Green  
6204005 – Green  
6204006 – Yellow  
6204007 – Orange  
6204008 – Red  
6204009 – White

**End Plate** Qty. pk. 10  
6800014 – 72 mm (L) x 55 mm (H) x 1.5 mm (W)

**Cover** Qty. pk. 100

**Jumper-Bar Package** 6800190 – .5M Jumper Bar

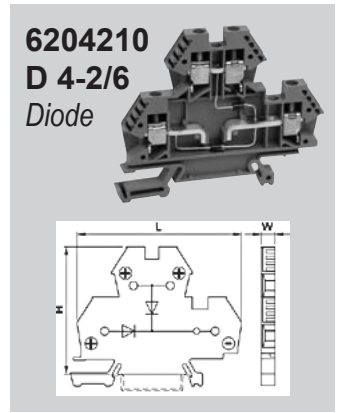
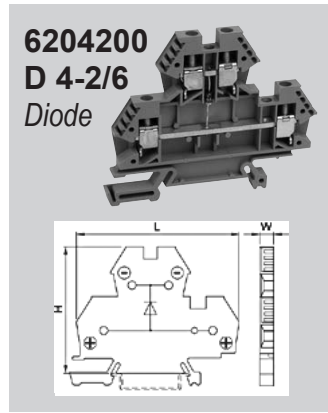
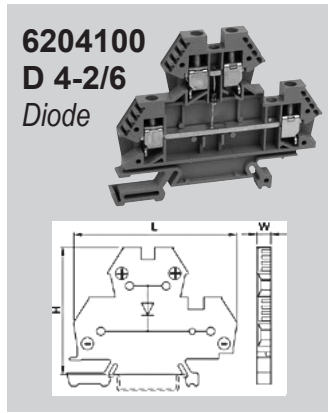
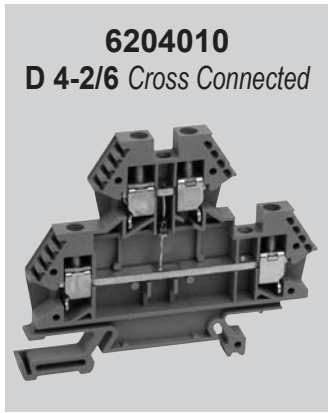
**Jumpers** 2 pole 6800182 – 100 pieces  
3 pole 6800183 – 100 pieces  
4 pole 6800184 – 100 pieces

**End Bracket** Qty. pk. 100  
6804150 – 58 mm (L) x 36 mm (H) x 9 mm (W)

**Test plug adapter (red)** 6800501

**Test plug adapter (black)** 6800500





**6204010**  
D 4-2/6 Cross Connected

72 mm (L) x 55 mm (H) x 6 mm (W)

4 x 3.3 mm

10 mm

M 3

**6204100**  
D 4-2/6 Diode

72 mm (L) x 55 mm (H) x 6 mm (W)

4 x 3.3 mm

10 mm

M 3

**6204200**  
D 4-2/6 Diode

72 mm (L) x 55 mm (H) x 6 mm (W)

4 x 3.3 mm

10 mm

M 3

**6204210**  
D 4-2/6 Diode

72 mm (L) x 55 mm (H) x 6 mm (W)

4 x 3.3 mm

10 mm

M 3

Solid conductors mm<sup>2</sup> 0.5-6  
Stranded conductors mm<sup>2</sup> 0.5-4

DIN 46288 / 1 mm<sup>2</sup> 0.5-4

4 x 1.5 mm<sup>2</sup>

Solid conductors mm<sup>2</sup> 0.5-6  
Stranded conductors mm<sup>2</sup> 0.5-4

DIN 46288 / 1 mm<sup>2</sup> 0.5-4

4 x 1.5 mm<sup>2</sup>

Solid conductors mm<sup>2</sup> 0.5-6  
Stranded conductors mm<sup>2</sup> 0.5-4

DIN 46288 / 1 mm<sup>2</sup> 0.5-4

4 x 1.5 mm<sup>2</sup>

Solid conductors mm<sup>2</sup> 0.5-6  
Stranded conductors mm<sup>2</sup> 0.5-4

DIN 46288 / 1 mm<sup>2</sup> 0.5-4

4 x 1.5 mm<sup>2</sup>

24-10 AWG	24-10 AWG	4 mm <sup>2</sup>
600V	600V	800V
30A	30A	32A

24-10 AWG	24-10 AWG	4 mm <sup>2</sup>

24-10 AWG	24-10 AWG	4 mm <sup>2</sup>

24-10 AWG	24-10 AWG	4 mm <sup>2</sup>
600V	600V	800V
30A	30A	32A

Max 0.6 Nm

A4

**Cat. No.**

Max 0.6 Nm

A4

**Cat. No.**

Max 0.6 Nm

A4

**Cat. No.**

Max. 0.6 Nm

A4

**Cat. No.**

**6204010** – Gray  
**6204011** – Blue  
**6204014** – Yellow-Green  
**6204016** – Yellow

**6204100** – Gray  
**6204101** – Blue

**6204110** – Gray  
**6204111** – Blue

**43475** – Gray  
Call for P/N – Blue  
Call for P/N – Yellow

**6800014** – 72 mm (L) x 55 mm (H) x 1.5 mm (W)

**6800080** – 36 mm (L) x 14 mm (H) x 6 mm (W)

**6800190** – .5M Jumper Bar

**6800182** – 100 pieces  
**6800183** – 100 pieces  
**6800184** – 100 pieces

**6804150** – 58 mm (L) x 36 mm (H) x 9 mm (W)

**6800501**

**6800500**

**6800014** – 72 mm (L) x 55 mm (H) x 1.5 mm (W)

**6800080** – 36 mm (L) x 14 mm (H) x 6 mm (W)

**6804150** – 58 mm (L) x 36 mm (H) x 9 mm (W)

**6800501**

**6800500**

**6800014** – 72 mm (L) x 55 mm (H) x 1.5 mm (W)

**6800080** – 36 mm (L) x 14 mm (H) x 6 mm (W)

**6804150** – 58 mm (L) x 36 mm (H) x 9 mm (W)

**6800501**

**6800500**

**6800014** – 72 mm (L) x 55 mm (H) x 1.5 mm (W)

**6800080** – 36 mm (L) x 14 mm (H) x 6 mm (W)

**6800190** – .5M Jumper Bar

**6800182** – 100 pieces  
**6800183** – 100 pieces  
**6800184** – 100 pieces

**6804150** – 58 mm (L) x 36 mm (H) x 9 mm (W)

**6800501**

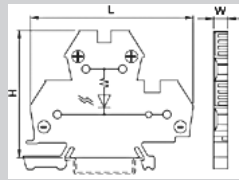
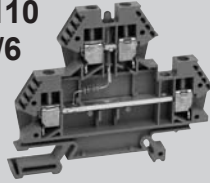
**6800500**



## Screw Connection Dual Level

- **Plastic Body:** Polyamide 66.6 VO
- **Internal Bus:** Silver plated copper
- **Clamp:** Hardened steel, electro-plated with zinc yellow chromated
- **Screws:** Steel, zinc plated and yellow chromated
- **Marking:** 4 slots on both sides
- **Tracking Resistance:**  
IEC 112: CTI > 600  
VDE 0303: KB > 600

**6204110**  
D 4-2/6  
LED



### Dimensions

72 mm (L) x 55 mm (H) x  
6 mm (W)

### Opening

4 x 3.3 mm

### Stripping Length

10 mm

### Screw Thread

M 3

### Rating

3, 4 K / 12-24V

### Connecting Capacity

Solid conductors mm<sup>2</sup> 0.5-6  
Stranded conductors  
mm<sup>2</sup> 0.5-4

### Conductors with Ferrules

DIN 46288 / 1 mm<sup>2</sup> 0.5-4

### Number of Connectable Conductors

4 x 1.5 mm<sup>2</sup>

### Approvals



### Wire Range

24-10 AWG | 24-10 AWG | 4 mm<sup>2</sup>

### Voltage Rating

### Current Rating

### Tightening Torque

Max 0.6 Nm

### Gauges

A4

### ACCESSORIES

**End Plate**  
Qty. pk. 10

**Cover**  
Qty. pk. 100

**End Bracket**  
Qty. pk. 100

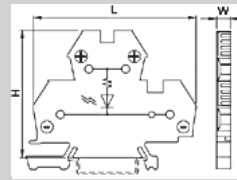
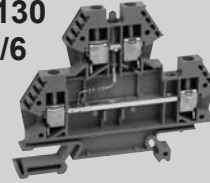
### Cat. No.

**6800014** – 72 mm (L) x  
55 mm (H) x 1.5 mm (W)

**6800080** – 36 mm (L) x  
14 mm (H) x 6 mm (W)

**6804150** – 58 mm (L) x  
36 mm (H) x 9 mm (W)

**6204130**  
D 4-2/6  
LED



72 mm (L) x 55 mm (H) x  
6 mm (W)

4 x 3.3 mm

10 mm

M 3

34 K / 119V

Solid conductors mm<sup>2</sup> 0.5-6  
Stranded conductors  
mm<sup>2</sup> 0.5-4

DIN 46288 / 1 mm<sup>2</sup> 0.5-4

4 x 1.5 mm<sup>2</sup>



24-10 AWG | 24-10 AWG | 4 mm<sup>2</sup>

Max 0.6 Nm

A4

### Cat. No.

**6800014** – 72 mm (L) x  
55 mm (H) x 1.5 mm (W)

**6800080** – 36 mm (L) x  
14 mm (H) x 6 mm (W)

**6804150** – 58 mm (L) x  
36 mm (H) x 9 mm (W)

## Screw Connection Triple Level

- **Plastic Body:** Polyamide 66.6 VO
- **Internal Bus:** Silver-plated copper
- **Clamp:** Nickel-plated brass
- **Screws:** Zinc plated and yellow-chromated steel
- **Tracking Resistance:**  
IEC 112: CTI > 600  
VDE 0303: KB > 600

### Dimensions

### Stripping Length

### Connecting Capacity

### Number of Connectable Conductors

### Approvals

### Wire Range

### Voltage Rating

### Current Rating

### Tightening Torque

### Gauges

### ACCESSORIES

### Available Colors

### End Plate Qty. pk. 25

**Jumpers** 2 pole / Blue  
3 pole / Blue  
4 pole / Blue  
12-Pole / Blue  
2 pole / Red  
3 pole / Red  
4 pole / Red  
12-Pole / Red

**End Bracket**  
Qty. pk. 50

