



5 Watt Interchangeable Plug Series PSAC05R Adapter



Features

- Double Insulated
- Field Changeable AC Plugs
- Efficiency Level VI Compliance
- Low Leakage Current
- Low Cost
- Class B EMI

Applications

- MPEG Players
- PDA
- Personal Electronics
- Digital Camera

Safety Approvals

- cUL/UL
- TÜV
- NOM
- CE
- CB

Mechanical Characteristics

- Length: 71.7mm (2.82in)
- Width: 45mm (1.77in)
- Height: 29.79mm (1.17in)
- Weight: 120g (4.2oz)

Output Specifications

Model	DC Output Voltage	Load		Efficiency Level
		Min.	Max.	
PSAC05R-050L6 ⁽¹⁾	5V	0A	1.0A	VI
PSAC05R-050L6M ⁽²⁾	5V	0A	1.0A	VI
PSAC05R-050L6B ⁽³⁾	5V	0A	1.0A	VI

(1) PSAC05R-050 has 2.1 x 5.5 x 9.5mm center positive output connector.

(2) PSAC05R-050L6M has Micro-B plug.

(3) PSAC05R-050L6B has Mini-B plug.

Interchangeable clips sold separately

Phihong is not responsible for any error, and reserves the right to make changes without notice. Please visit our website at www.phihong.com for the most up-to-date specifications and contact information.

Input:

AC Input Voltage Rating
100 to 240V AC

AC Input Voltage Range
90 to 264V AC

AC Input Frequency
47 to 63Hz

Input Current
0.3A (RMS) maximum at 115V AC/max load
0.15A (RMS) maximum at 230V AC/max load

Leakage Current
5uA maximum at 240V AC, 50Hz

Inrush Current
<30A for 240V AC at maximum load
(Cold start at ambient 25°C)

Input Power Saving
<0.3W maximum

Output:
Efficiency
DOE Level VI and CoC V5 Tier2

Ripple
200mV max

Short-Circuit Protection
The output can be shorted permanently without damage whenever it operates within input voltage range and temperature range specified in this specification. Output current not exceed 0.95A (RMS).

Over-Voltage Protection
No to exceed 7.2V DC

Over-Current Protection
Not to exceed 1.2A (RMS)

Environmental:
Temperature

Operation	0 to +40°C
Non-operation	-40 to +85°C
Humidity	90%RH Max

Emissions
FCC Class B
EN55022 Class B
AS/NZS 3548

Immunity
EN50082-1: EN 61000-4-2, Level 4
Air Discharge +/-15KV ; Contact +/- 8KV
EN 61000-4-5, Level 3,1KV

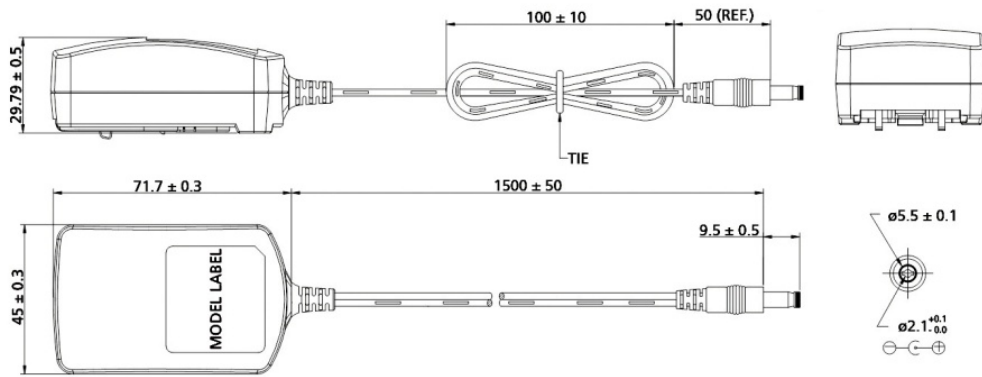
Dielectric Withstand (Hi-pot) Test
Primary to Secondary: 3000V AC 10mA, 1 minute

DC Output Connector
2.1 x 5.5 center positive standard (P model)
Micro-B USB (L6M model)
Mini-B USB (L6B model)

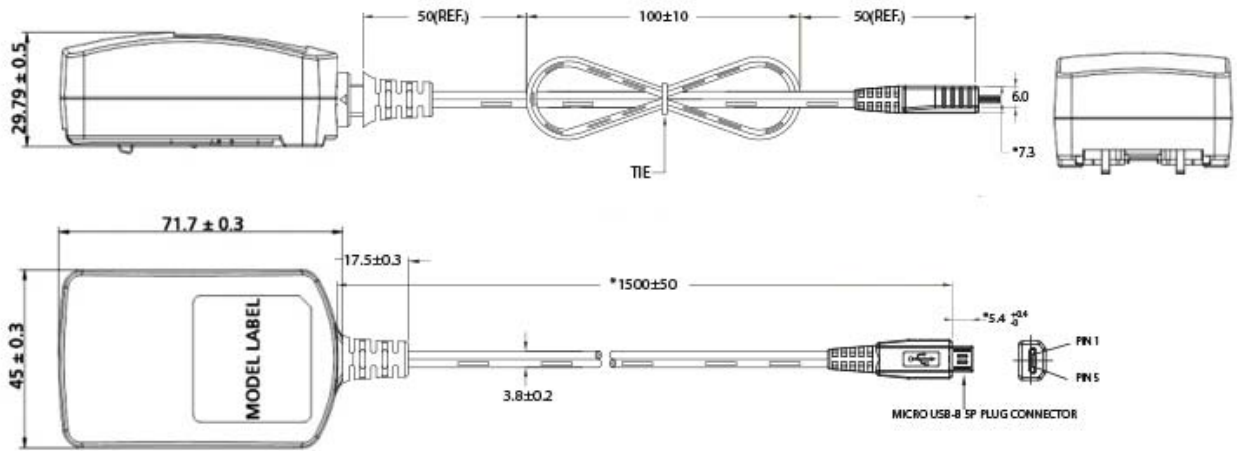
AC Input Clips (sold separately)

RPA: US	RPI: India
RPB: Brazil	RPK: UK
RPC: China	RPN: Argentina
RPE: Europe	RPS: Australia
RPH: Korea	RPX: IEC320 C8

PSAC05R-050L6 Dimension Diagram Unit: mm



PSAC05R-050L6M Dimension Diagram Unit: mm



PSAC05R-050L6B Dimension Diagram Unit: mm

