

# NHD-C0220AA-FSW-FTW

## COG (Chip-on-Glass) Liquid Crystal Display Module

NHD- Newhaven Display  
C0220- COG, 2 lines x 20 characters  
AA- Model  
F- Transflective  
SW- Side White LED backlight  
F- FSTN+  
T- 12:00 View Angle  
W- Wide Temp (-20°C ~ +70°C)  
**RoHS Compliant**

**Newhaven Display International, Inc.**

2511 Technology Drive, Suite 101

Elgin IL, 60124

Ph: 847-844-8795

Fax: 847-844-8796

[www.newhavendisplay.com](http://www.newhavendisplay.com)

[nhtech@newhavendisplay.com](mailto:nhtech@newhavendisplay.com)

[nhsales@newhavendisplay.com](mailto:nhsales@newhavendisplay.com)

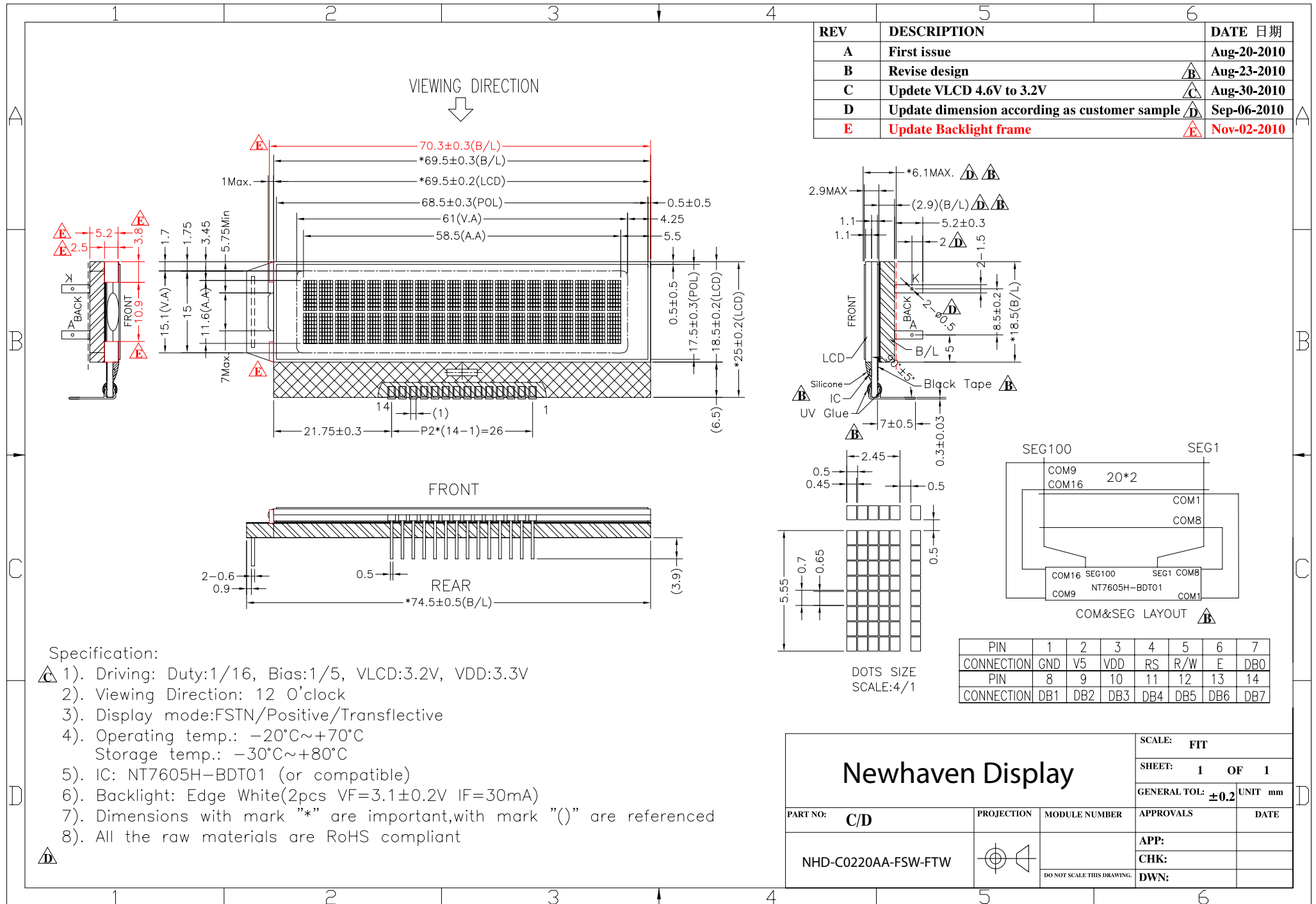
## Document Revision History

Revision	Date	Description	Changed by
0	11/5/2010	Initial Release	-
1	5/27/2011	Display character address code updated	AK
2	6/2/2011	Timing characteristics updated	AK

## Functions and Features

- 2 lines x 20 characters
- Built-in NT7605 controller
- 3.3V power supply
- 1/16 duty, 1/5 bias

# Mechanical Drawing

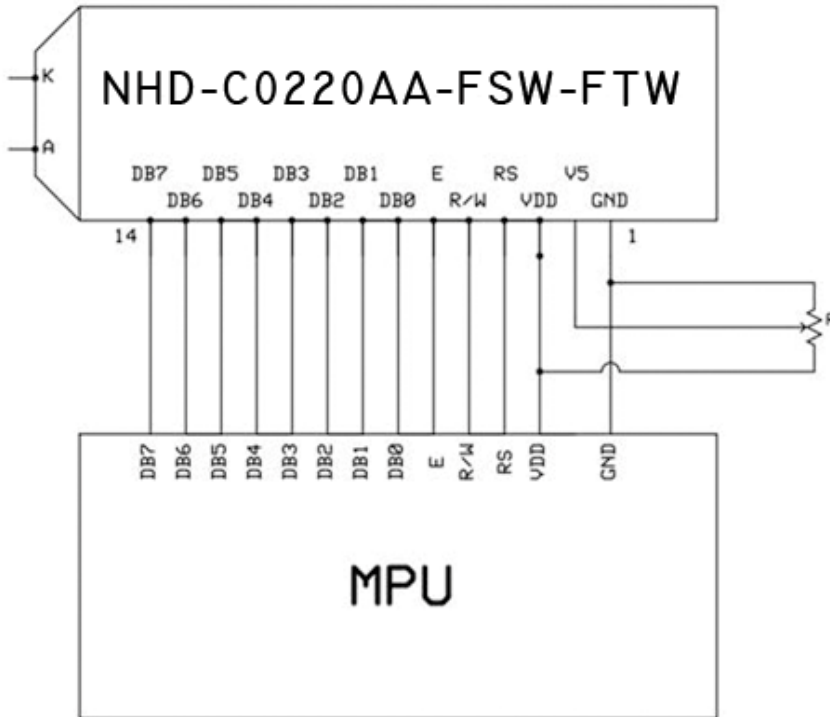


## Pin Description and Wiring Diagram

Pin No.	Symbol	External Connection	Function Description
1	GND	Power Supply	Ground
2	V5	Adj Power Supply	Contrast voltage adjustment (~0.1V)
3	VDD	Power Supply	VDD=3.3V
4	RS	MPU	Register Select: 0=Instruction, 1=Data
5	R/W	MPU	Read / Write select: 0=Write, 1=Read
6	E	MPU	Read/Write start signal (Schmitt trigger input)
7-10	DB0 – DB3	MPU	Low 4 tri-state bi-directional data bus lines. Not used in 4-bit mode.
11-14	DB4 – DB7	MPU	High 4 tri-state bi-directional data bus lines.

**Recommended LCD connector:** 2.0mm pitch, 14pins Soldered to PCB, or JST p/n: PHR-14

**Backlight connector:** A and K pins **Mates with:** Solder to wires or PCB



## Electrical Characteristics

Item	Symbol	Condition	Min.	Typ.	Max.	Unit
Operating Temperature Range	Top	Absolute Max	-20	25	+70	°C
Storage Temperature Range	Tst	Absolute Max	-30	25	+80	°C
Supply Voltage	VDD		3.2	3.3	3.4	V
Supply Current	IDD	VDD=3.3V			1.0	mA
Supply for LCD (contrast)	Vlcd	<b>VLCD=VDD-V5</b>	3.1	3.2	3.3	V
"H" Level input	Vih		0.8VDD		VDD	V
"L" Level input	Vil		0		0.2VDD	V
"H" Level output	Voh		VDD-0.6			V
"L" Level output	Vol				GND+0.6	V
Backlight Supply Voltage	VLED		3.0	3.1	3.2	V
Backlight Supply Current	Iled	VLED=3.1V	30	40	60	mA

## Optical Characteristics

Item	Symbol	Condition	Min.	Typ.	Max.	Unit
Viewing Angle - Vertical	AV	Cr ≥ 2	-20		+60	°
Viewing Angle - Horizontal	AH	Cr ≥ 2	-50		+50	°
Contrast Ratio	Cr	25°C	9	15		
Response Time (rise)	Tr			150	200	ms
Response Time (fall)	Tr			250	400	ms

## Controller Information

Built-in NT7605N-BDT01. Download specification at [http://www.newhavendisplay.com/app\\_notes/NT7605.pdf](http://www.newhavendisplay.com/app_notes/NT7605.pdf)

**NOTE:** The Busy Flag of the NT7605 controller may not always be responsive. Add sufficient delays and/or a time-out check routine to continue operation if busy flag is not cleared.

## Table of Commands

Instruction	Code										Function	Execution time (max) (fosc = 250KHz)	
	RS	RW	DB7	DB6	DB5	DB4	DB3	DB2	DB1	DB0			
Display Clear	0	0	0	0	0	0	0	0	0	0	1	Clear entire display area, Restore display from shift, and load address counter with DD RAM address 00H.	1.64ms
Display/ Cursor Home	0	0	0	0	0	0	0	0	0	1	*	Restore display from shift and load address counter with DD RAM address 00H.	1.64ms
Entry Mode Set	0	0	0	0	0	0	0	0	1	I/D	S	Specify direction of cursor movement and display shift mode. This operation takes place after each data transfer (read/write).	40µs
Display ON/OFF	0	0	0	0	0	0	0	1	D	C	B	Specify activation of display (D) cursor (C) and blinking of character at cursor position (B).	40µs
Display/ Cursor Shift	0	0	0	0	0	0	1	S/C	R/L	*	*	Shift display or move cursor.	40µs
Function Set	0	0	0	0	1	DL	N	F	*	*		Set interface data length (DL), number of display line (N), and character font (F).	40µs
RAM Address Set	0	0	0	1	ACG							Load the address counter with a CG RAM address. Subsequent data access is for CG RAM data.	40µs
DD RAM Address Set	0	0	1	ADD							Load the address counter with a DD RAM address. Subsequent data access is for DD RAM data.	40µs	
Busy Flag/ Address Counter Read	0	1	BF	AC							Read Busy Flag (BF) and contents of Address Counter (AC).	1µs	
CG RAM/ DD RAM Data Write	1	0	Write data							Write data to CG RAM or DD RAM.	40µs		
CG RAM/ DD RAM Data Read	1	1	Read data							Read data from CG RAM or DD RAM.	40µs		
	I/D = 1 : Increment                      I/D = 0 : Decrement S = 1 : Display Shift On D = 1 : Display On C = 1 : Cursor Display On B = 1 : Cursor Blink On S/C = 1 : Shift Display                      S/C = 0 : Move Cursor R/L = 1 : Shift Right                      R/L = 0 : Shift Left DL = 1 : 8-Bit                                  DL = 0 : 4-Bit N = 1 : Dual Line                              N = 0 : Signal Line F = 1 : 5x10 dots                              F = 0 : 5x8 dots BF = 1 : Internal Operation BF = 0 : Ready for Instruction										DD RAM : Display Data RAM  CG RAM : Character Generator RAM ACG : Character Generator RAM Address ADD : Display Data RAM Address AC : Address Counter		

Note 1: Symbol "\*" signifies an insignificant bit (disregard).

Note 2: Correct input value for "N" is predetermined for each model.

## Display Character Address Code

1	2	3	4	5	6	7	8	9	10	11	12	13	14	15	16	17	18	19	20
00	01	02	03	04	05	06	07	08	09	0A	0B	0C	0D	0E	0F	10	11	12	13
40	41	42	43	44	45	46	47	48	49	4A	4B	4C	4D	4E	4F	50	51	52	53

# Timing Characteristics

## Read Operation

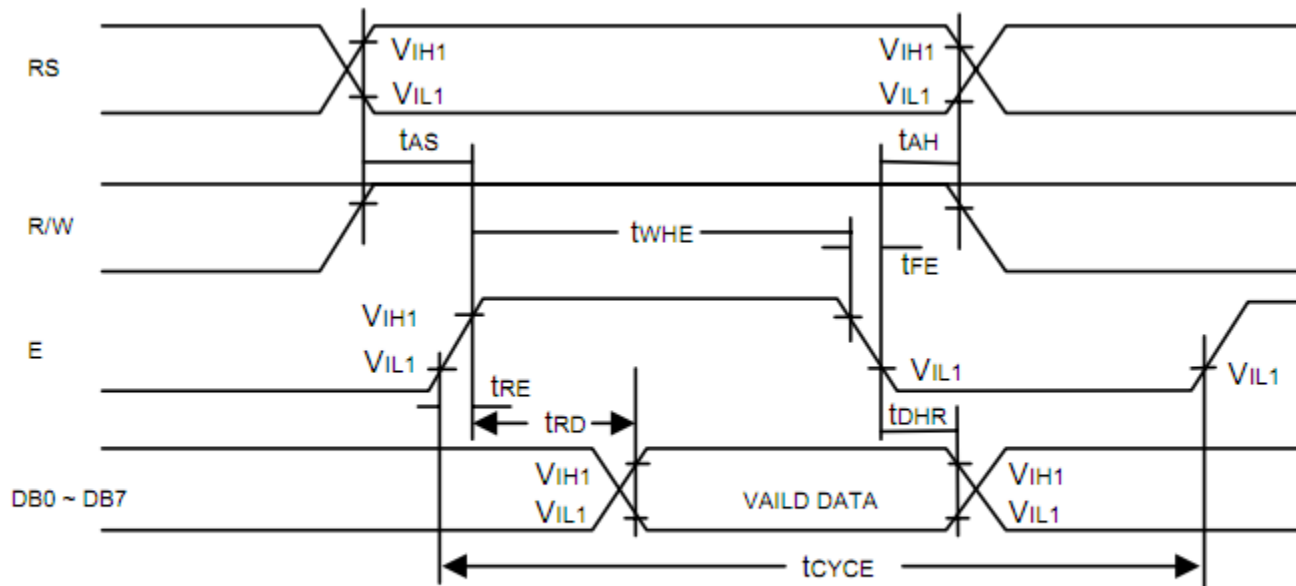


Figure 1. Bus Read Operation Sequence  
(Reading out data from NT7605 to MPU)

Read Cycle ( $V_{DD} = 5.0V$ ,  $GND = 0V$ ,  $T_A = 25^\circ C$ )

Symbol	Parameter	Min.	Typ.	Max.	Unit	Conditions
$t_{CYCE}$	Enable Cycle Time	500	-	-	ns	Figure 1
$t_{WHE}$	Enable "H" Level Pulse Width	300	-	-	ns	Figure 1
$t_{RE}, t_{FE}$	Enable Rise/Fall Time	-	-	25	ns	Figure 1
$t_{AS}$	RS, R/W Setup Time	$60^1$	-	-	ns	Figure 1
		$100^2$				
$t_{AH}$	RS, R/W Address Hold Time	10	-	-	ns	Figure 1
$t_{RD}$	Read Data Output Delay	-	-	190	ns	Figure 1
$t_{DHR}$	Read Data Hold Time	20	-	-	ns	Figure 1

Notes: 1: 8-bit operation mode  
2: 4-bit operation mode

## Write Operation

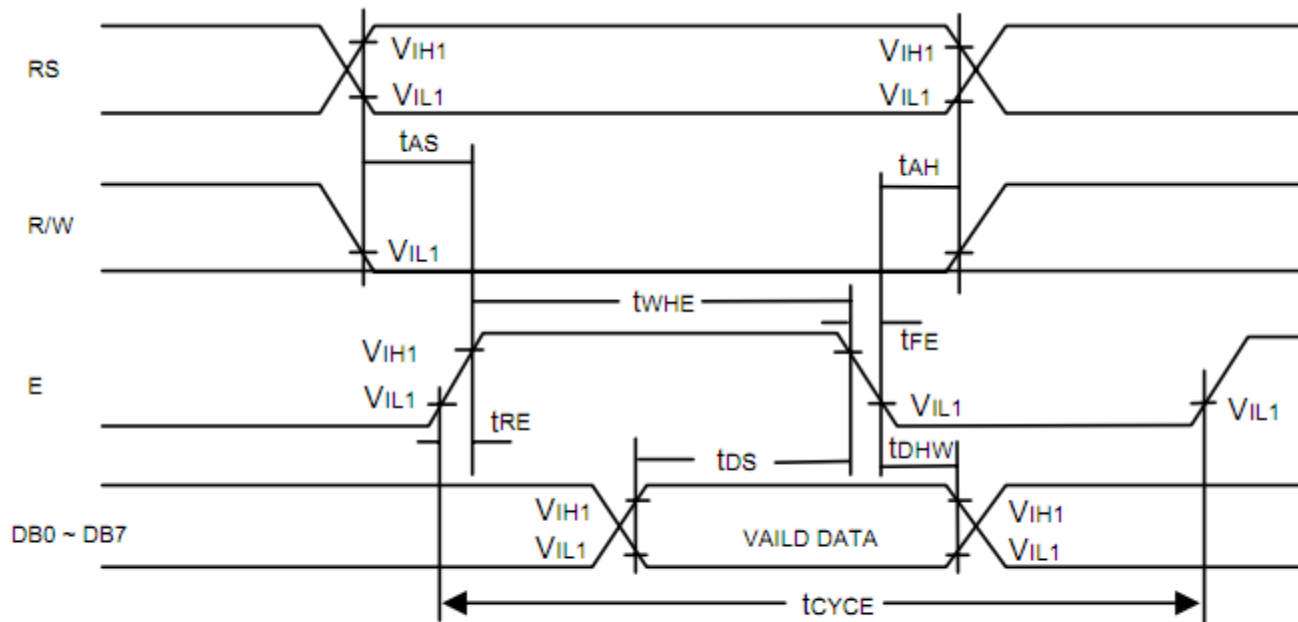


Figure 2. Bus Write Operation Sequence  
(Writing data from MPU to NT7605)

Write Cycle ( $V_{DD} = 5.0V$ ,  $GND = 0V$ ,  $T_A = 25^\circ C$ )

Symbol	Parameter	Min.	Typ.	Max.	Unit	Conditions
$t_{CYCE}$	Enable Cycle Time	500	-	-	ns	Figure 2
$t_{WHE}$	Enable "H" Level Pulse Width	300	-	-	ns	Figure 2
$t_{RE}$ , $t_{FE}$	Enable Rise/Fall Time	-	-	25	ns	Figure 2
$t_{AS}$	RS, R/W Setup Time	$60^1$	-	-	ns	Figure 2
		$100^2$				
$t_{AH}$	RS, R/W Address Hold Time	10	-	-	ns	Figure 2
$t_{DS}$	Data Output Delay	100	-	-	ns	Figure 2
$t_{DHW}$	Data Hold Time	10	-	-	ns	Figure 2

Notes: 1: 8-bit operation mode

2: 4-bit operation mode



# Built-in Font Table

		Higher 4-bit (D4 to D7) of Character Code (Hexadecimal)																			
		0	1	2	3	4	5	6	7	8	9	A	B	C	D	E	F				
Lower 4-bit (D0 to D3) of Character Code (Hexadecimal)	0	CG RAM (1)			0	1	2	3	4	5	6	7	8	9	A	B	C	D	E	F	
	1	CG RAM (2)		!	"	#	\$	%	&	'	(	)	*	+	,	-	.	:	;	<	=
	2	CG RAM (3)		"	2	3	4	5	6	7	8	9	A	B	C	D	E	F			
	3	CG RAM (4)		*	3	4	5	6	7	8	9	A	B	C	D	E	F				
	4	CG RAM (5)		#	4	5	6	7	8	9	A	B	C	D	E	F					
	5	CG RAM (6)		%	5	6	7	8	9	A	B	C	D	E	F						
	6	CG RAM (7)		0	6	7	8	9	A	B	C	D	E	F							
	7	CG RAM (8)		'	7	8	9	A	B	C	D	E	F								
	8	CG RAM (1)		C	8	9	A	B	C	D	E	F									
	9	CG RAM (2)		)	9	A	B	C	D	E	F										
	A	CG RAM (3)		*	A	B	C	D	E	F											
	B	CG RAM (4)		+	B	C	D	E	F												
	C	CG RAM (5)		.	C	D	E	F													
	D	CG RAM (6)		-	D	E	F														
	E	CG RAM (7)		:	E	F															
	F	CG RAM (8)		;	F																

## Example Initialization Program

```
'INIT-----
A = &H30
Call Writecom                                     'wake up
Waitms 100
Call Writecom                                     'wake up
Waitms 10
Call Writecom                                     'wake up
Waitms 10
A = &H38
'function set
Call Writecom
A = &H10
'shift display=no
Call Writecom
A = &H0C
'display on
Call Writecom
A = &H06
'entry mode set
Call Writecom
'-----
Sub Writecom
P1 = A
Reset P3.0
'instruction
Reset P3.7
'RW
Waitms 1
Set P3.4
'E
Waitms 1
Reset P3.4                                     'E
End Sub
'-----
Sub Writedata
P1 = A
Set P3.0
'data
Reset P3.7
'RW
Waitms 1
Set P3.4
'E
Waitms 1
Reset P3.4                                     'E
End Sub
'-----
```

## Quality Information

Test Item	Content of Test	Test Condition	Note
High Temperature storage	Endurance test applying the high storage temperature for a long time.	+80°C , 48hrs	2
Low Temperature storage	Endurance test applying the low storage temperature for a long time.	-30°C , 48hrs	1,2
High Temperature Operation	Endurance test applying the electric stress (voltage & current) and the high thermal stress for a long time.	+70°C , 48hrs	2
Low Temperature Operation	Endurance test applying the electric stress (voltage & current) and the low thermal stress for a long time.	-20°C , 48hrs	1,2
High Temperature / Humidity Operation	Endurance test applying the electric stress (voltage & current) and the high thermal with high humidity stress for a long time.	+40°C , 90% RH , 96hrs	1,2
Thermal Shock resistance	Endurance test applying the electric stress (voltage & current) during a cycle of low and high thermal stress.	0°C,30min -> 25°C,5min -> 50°C,30min = 1 cycle 10 cycles	
Vibration test	Endurance test applying vibration to simulate transportation and use.	10-55Hz , 15mm amplitude. 60 sec in each of 3 directions X,Y,Z For 15 minutes	3
Static electricity test	Endurance test applying electric static discharge.	VS=800V, RS=1.5kΩ, CS=100pF One time	

**Note 1:** No condensation to be observed.

**Note 2:** Conducted after 4 hours of storage at 25°C, 0%RH.

**Note 3:** Test performed on product itself, not inside a container.

## Precautions for using LCDs/LCMs

See Precautions at [www.newhavendisplay.com/specs/precautions.pdf](http://www.newhavendisplay.com/specs/precautions.pdf)

## Warranty Information and Terms & Conditions

[http://www.newhavendisplay.com/index.php?main\\_page=terms](http://www.newhavendisplay.com/index.php?main_page=terms)