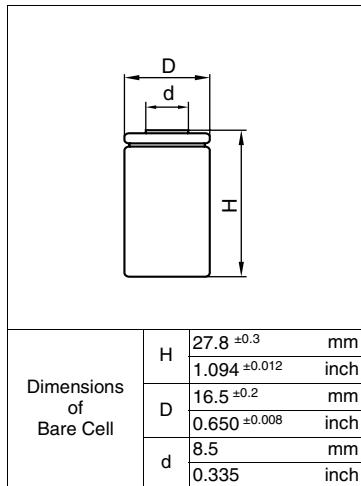


# SANYO Cadnica

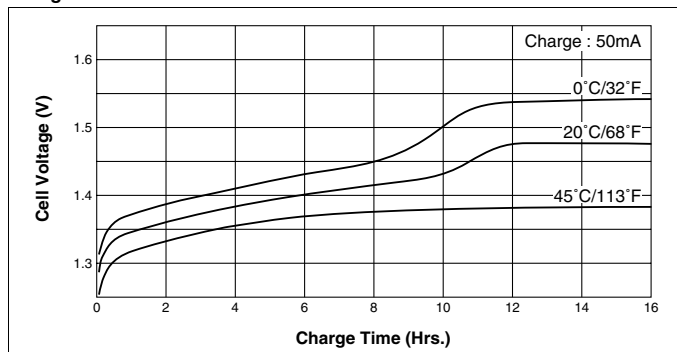


# Cell Type N-500A Specifications

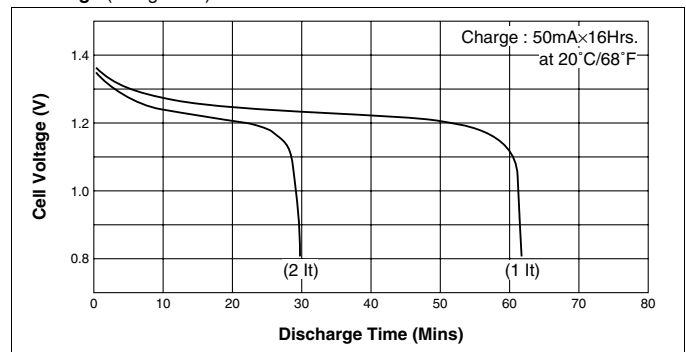
Nominal Capacity		500mAh	
Nominal Voltage		1.2V	
Charging Current	Standard	50mA	
	Quick	150mA	
	Fast	750mA	
Charging Time	Standard	14 to 16Hrs.	
	Quick	4 to 6Hrs.	
	Fast	about 1Hr.	
Ambient Temperature	Charge	Standard	0°C to +45°C [+32°F to 113°F]
		Quick	10°C to +45°C [+50°F to 113°F]
		Fast	0°C to +45°C [+32°F to 113°F]
	Discharge		-20°C to +60°C [-4°F to 140°F]
	Storage		-30°C to +50°C [-22°F to 122°F]
Internal Impedance (Av.) (at 50% discharge)		9.0mΩ (at 1000Hz)	
Weight		19g/0.67oz	
Dimensions(D)×(H) (with tube)		17.0 <sup>0</sup> <sub>-0.5</sub> × 28.5 <sup>0</sup> <sub>-1</sub>	mm
		0.67 <sup>0</sup> <sub>-0.02</sub> × 1.12 <sup>0</sup> <sub>-0.04</sub>	inch

## Typical Characteristics

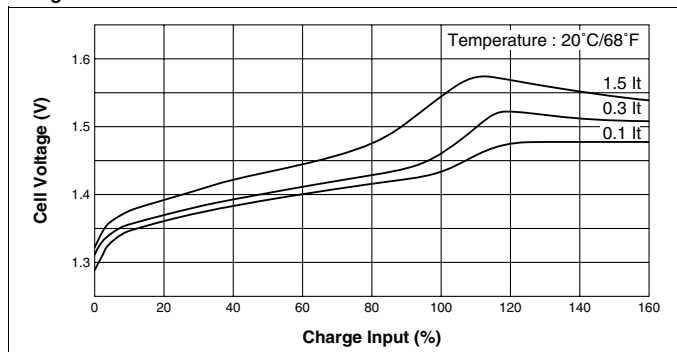
### Charge



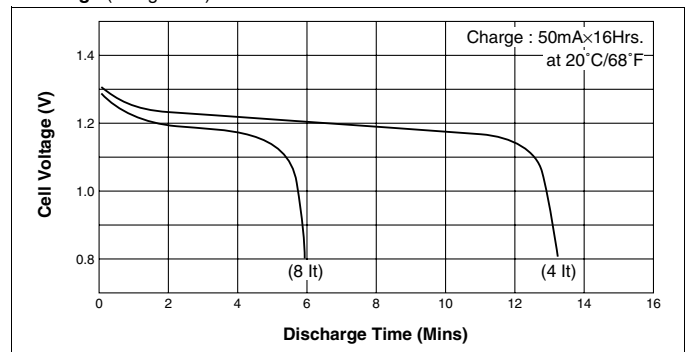
### Discharge (at high rate)



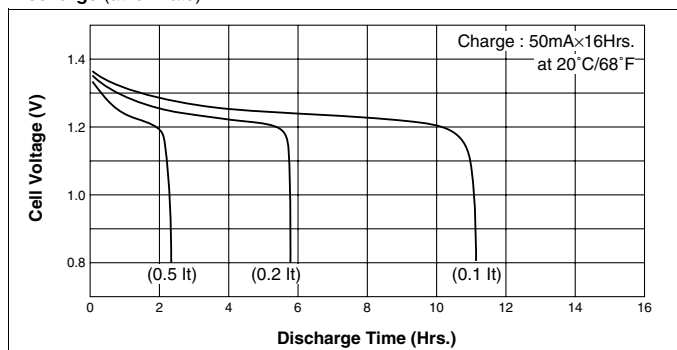
### Charge



### Discharge (at high rate)



### Discharge (at low rate)



### Temperature (Charge & Discharge)

