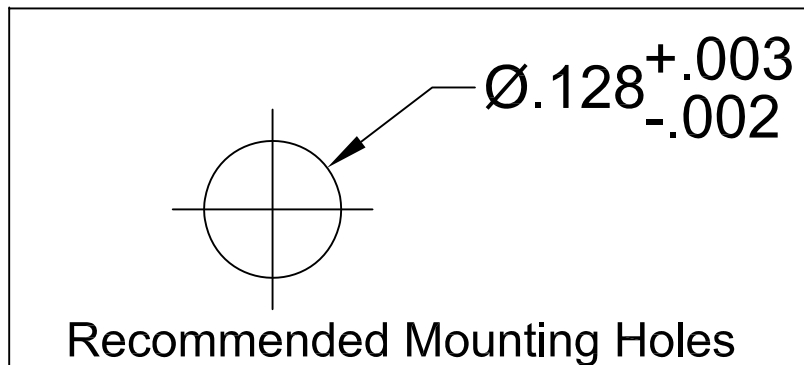
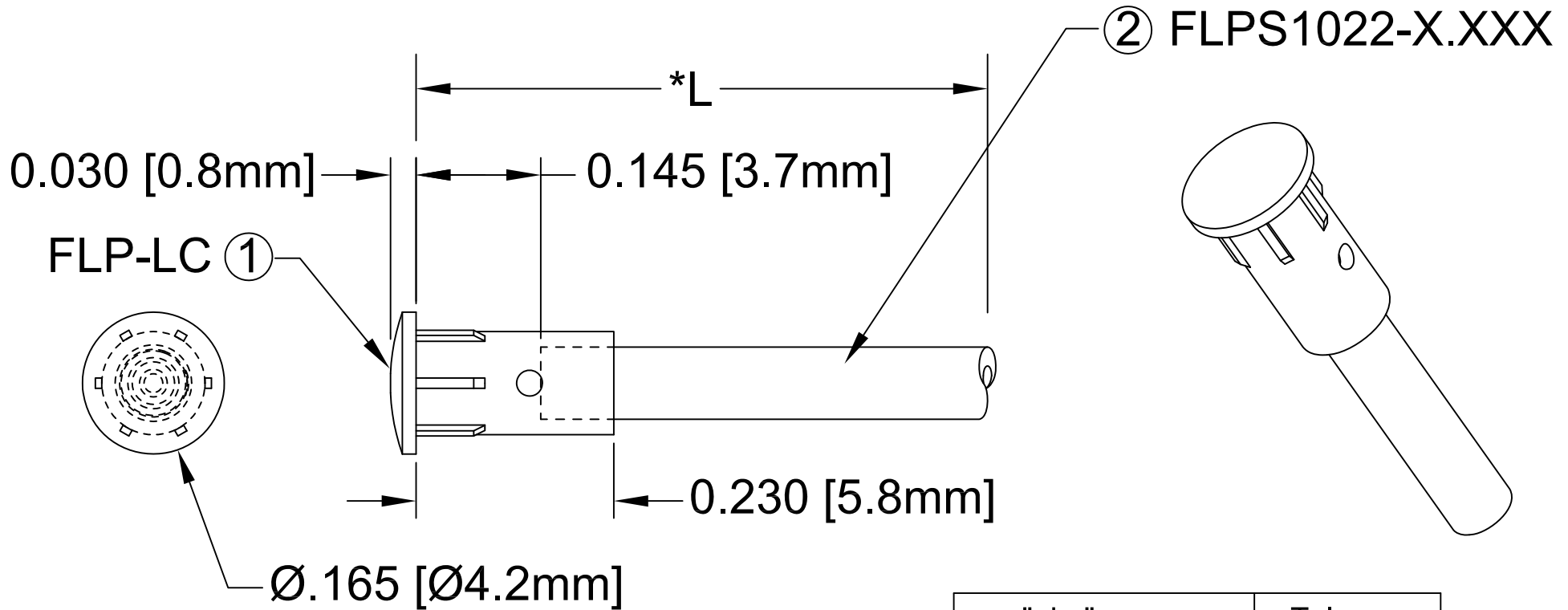


ITEM	Q'TY	PART NUMBER	PART DESCRIPTION
1	1	FLP-LC	HOLDER CAP, FLEXIBLE LIGHT-PIPE
2	1	FLPS1022-X.XXX	LIGHT PIPE CABLE, CUT LENGTH IN INCHES

REV.	DESCRIPTION	DATE	APPROVED
F	Typo Correction	12/08/04	M. C.
G	Dimensioning Update w/o Changes	01/04/05	M. C.
H	FLP Length Update.	10/18/05	M. C.
J	FLP Length Clarification.	01/11/06	M. C.
K	Corrected "L" Dimension Measurement.	07/25/07	M. C.
M	Updated Fiber In BOM	11/14/12	T. Y.



" L "	Tolerance
0.750" ~ 16.000"	±0.050"
16.100" ~ 40.000"	±0.150"
40.100" ~ 80.000"	±0.300"
80.100" ~ 3,940.0"	±0.5%

\*NOTE:  
ALLOWABLE CUT LENGTH IS UP TO 3 DECIMAL PLACES.

STANDARD TOLERANCE ( UNLESS OTHERWISE SPECIFIED )		<b>BIVAR</b> ®	
DECIMALS	ANGULAR	4 THOMAS, IRVINE, CA. 92618	
.X ±.1	X° ± 1°	TEL: (949) 951-8808 FAX: (949) 951-3974	
.XX ±.02		<b>TITLE:</b> LENS CAP / FLP ASSEMBLY, 4mm ROUND	
.XXX ±.010		<b>PART NO:</b> LC-XX.X	
DESIGNED: <b>Shane Irving</b>	DATE: <b>05/22/02</b>	REVISION: <b>M</b>	
CHECKED: <b>M. Chen</b>	DATE: <b>05/22/02</b>	<b>CAGE CODE :</b> 32559	<b>SHEET # 1 OF 1</b>
CAD GENERATED DOCUMENT, DO NOT MEASURE DRAWING.			