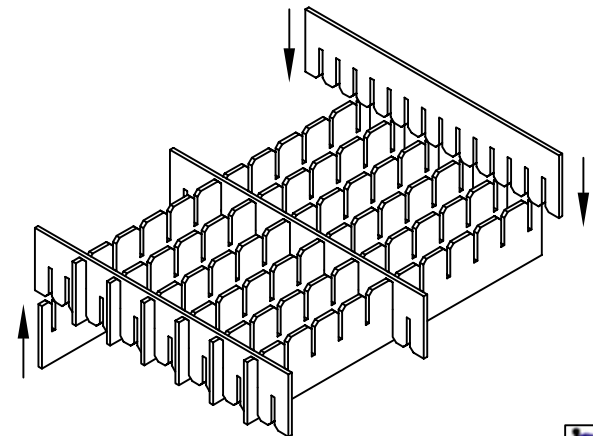
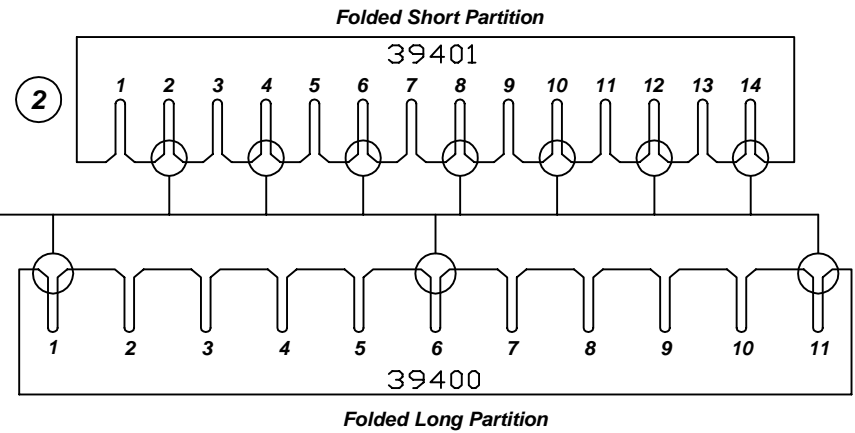
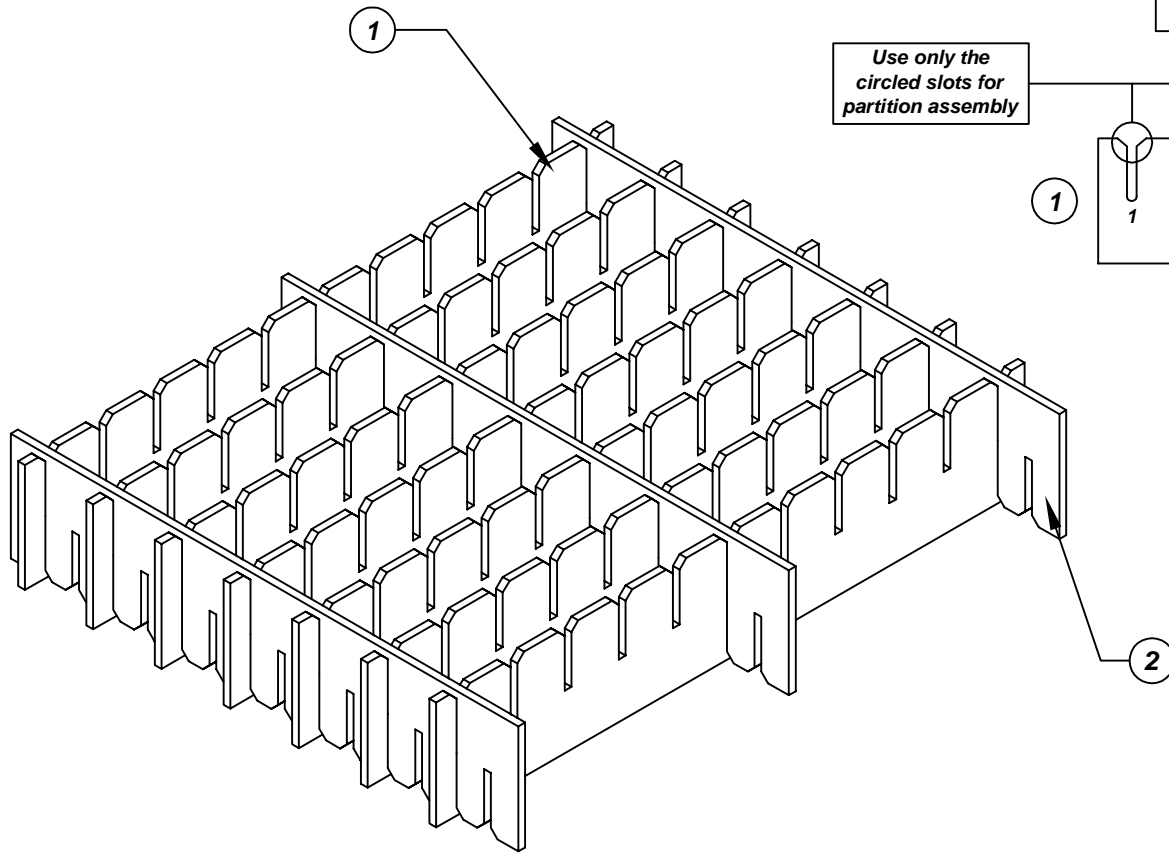


# Assembly Instructions for - 38713



Made in America

F/N ①	Part # <b>39400</b>	Dimensions: <b>8-3/16" x 21-3/4"</b>	Description: <b>Adjustable Long Partition</b>	Qty: <b>7</b>
F/N ②	Part # <b>39401</b>	Dimensions: <b>8-3/16" x 18-3/4"</b>	Description: <b>Adjustable Short Partition</b>	Qty: <b>3</b>

## 38713 - 14 Cell Inplant Handler Cell Size - 4" x 9-3/4" x 2-1/4"

Notes:  
For use with the following storage container & lid:  
37530 - Storage Container  
37557 - Lid

PROTEKTIVE PAK  
13520 MONTE VISTA AVENUE, CHINO, CA 91710  
PHONE (909) 627-2578, FAX (909) 363-7331  
ProtektivePak.com

**PROTEKTIVE PAK**  
BURIED CONDUCTIVE LAYER

DRAWING NUMBER  
**IPH-38713**

DATE  
**August 2011**