



CUSTOMER:

CUSTOMER PN:

UCC PN: E80D630VNN332AQ50T

UCC MAXCIM NO.: 87251

ELECTRICAL CRITERIA

CAPACITANCE (120Hz/20°C): 3300 μ F

CAP.TOLERANCE: -10/+30 %

RATED VDC 63 V

SURGE VDC (30 sec): 79 V

MAX. ESR (120Hz/20°C): 41 m Ω

MAX. IRMS (120Hz/85°C): 4.9 A

MAX. DCL (V_{DC}/5:00/20°C): 1.824 mA

MECHANICAL CRITERIA

MAX. VIBRATION: 10-55Hz 10g

OPERATING CRITERIA

MAX. TEMPERATURE: +85 °C

MIN. TEMPERATURE: -40 °C

LOAD LIFE (VDC/85°C): 2000 Hrs

MAX. Δ CAP. (measured value): ≤ 15 %

MAX.ESR δ (specified value): ≤ 1.5 x

MAX. DCL (V_{DC}/5:00/20°C): 1.824 mA

SHELF LIFE (85°C): 500 Hrs

MAX. Δ CAP. (measured value): ≤ 15 %

MAX.ESR δ (specified value): ≤ 1.3 x

MAX. DCL (V_{DC}/5:00/20°C): 3.648 mA

IRMS FREQUENCY MULTIPLIERS

VDC	50-60	300-1k	>1k
16-49	0.85	1.10	1.15
50-199	0.83	1.15	1.20
200-500	0.80	1.30	1.40

IRMS AMBIENT MULTIPLIERS

55°C	65°C	75°C	85°C
2.00	1.70	1.40	1.00

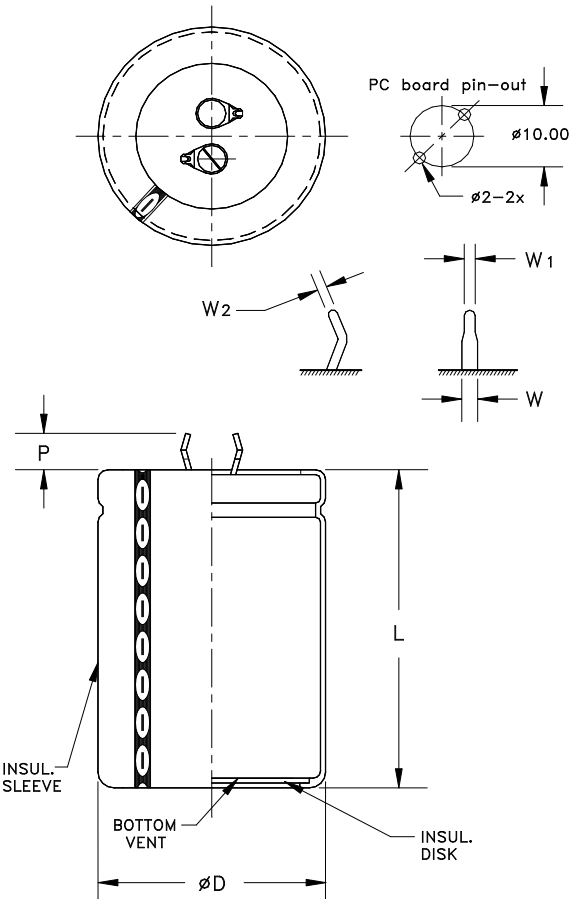
SPECIAL

RoHS COMPLIANT

DIMENSIONAL CRITERIA			
	X	mm	in
\varnothing D	25.4	- NA	+ 1.0
L	50.0	- 2.0	+ 2.0
P	5.8	- 1.0	+ 1.0
W	1.5	- 0.2	+ 0.2
W1	1.0	- 0.1	+ 0.1
W2	1.0	- 0.1	+ 0.1

MARKING

80D 85°C
3300uF(P) 63V
Date Code



TDS NO.: TDS-06-0366
AUTHOR: DDG
DATE: 5-22-06