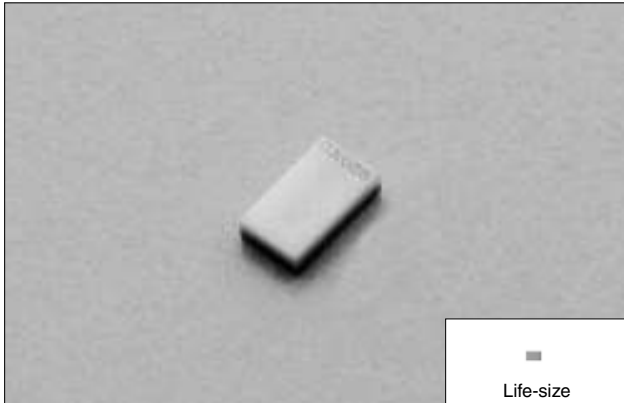


TUNING FORK CRYSTAL UNIT (SMD • Ceramic Package)

RoHS compliant / Pb free

CM212

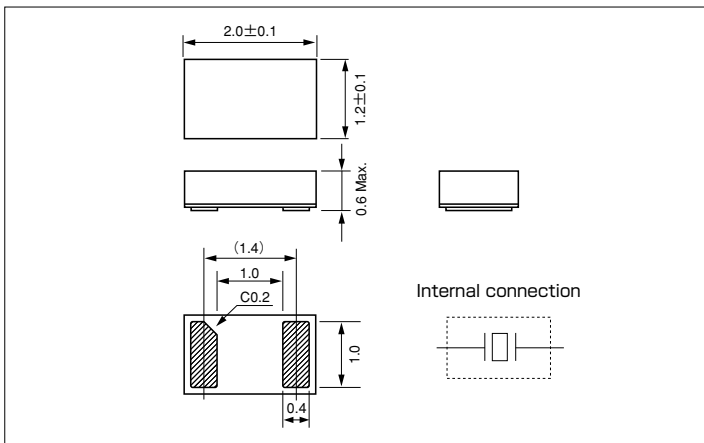
3000pcs/reel



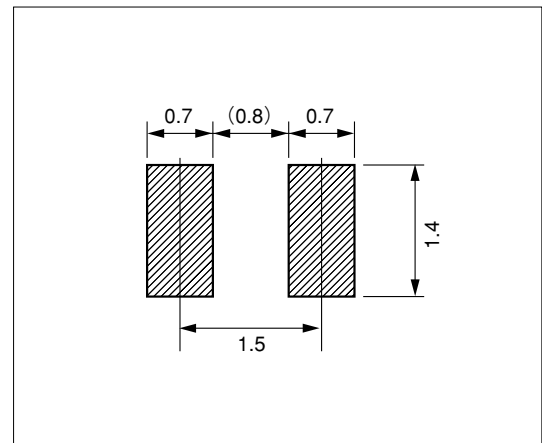
FEATURES

- Tuning fork crystal with in-house ceramic.
- High-density SMD type
Ultra-light weight with ultra-miniature packaging.
High-stability assured with tight vacuum sealing.
- Most appropriate for portable devices and mobile telecommunications devices.

DIMENSION [mm]



SOLDER PAD LAYOUT [mm]



STANDARD SPECIFICATIONS

Item	Model	CM212	Conditions
Nominal Frequency	f_0	32.768kHz	
Frequency Tolerance	$\Delta f/f_0$	± 20 ppm	at 25°C
Load capacitance	C_L	12.5pF	Need to specify your requirement
Operating Temperature Range	T_{OPR}	-40°C ~ +85°C	
Storage Temperature Range	T_{STR}	-55°C ~ +125°C	
Turnover Temperature	T_M	25°C \pm 5°C	
Temperature Coefficient	β	-0.04ppm/°C ² Max.	
Motional (series) resistance	R_1	90KΩ Max.	at 25°C
Level of drive	D_L	0.5 μW Max.	
Aging (first year)	$\Delta f/f_0$	± 3 ppm Max.	25°C \pm 3°C
Shunt capacitance	C_0	1.7pF Typ.	