


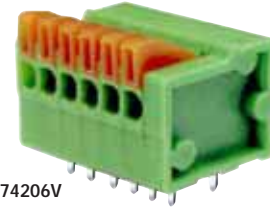
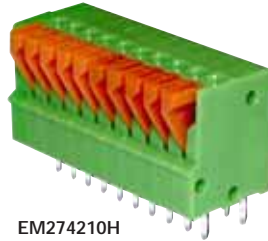
# EuroMag Series PCB Mount Screwless Terminal Blocks

## EM2742 Series Euro-Mag Terminal Blocks

Screwless; 2.54 Centers

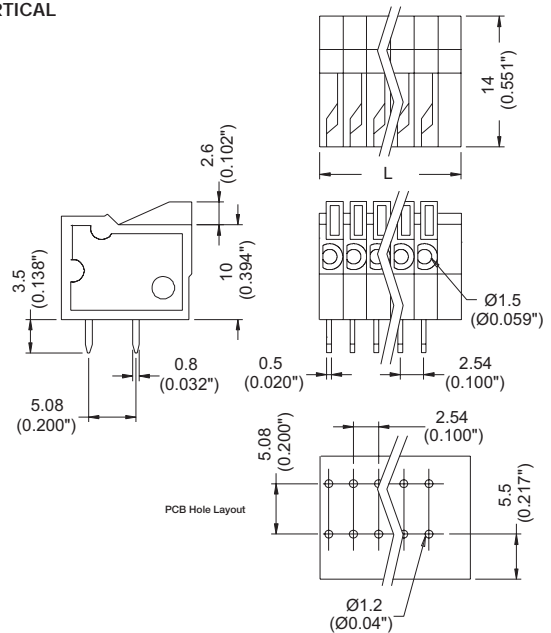
### SPECIFICATIONS

**Rating:** 6A, 63V  
**Center Spacing:** 0.10" (25.4mm)  
**Wire Range:** #20-26 AWG  
**Housing Material:** UL rated 94V0 Thermoplastic  
**Contact Material:** Tin-Plated Brass  
**Spring Material:** Stainless Steel  
**Operating Temperature:** 105°C (221°F) max., -40°C (-40°F) min.  
**Recommended PCB Hole Diameters:** 0.051" (1.30mm)  
**Construction:** Mold-to-Length  
**Agency Information:**  File E62622; CE Certified

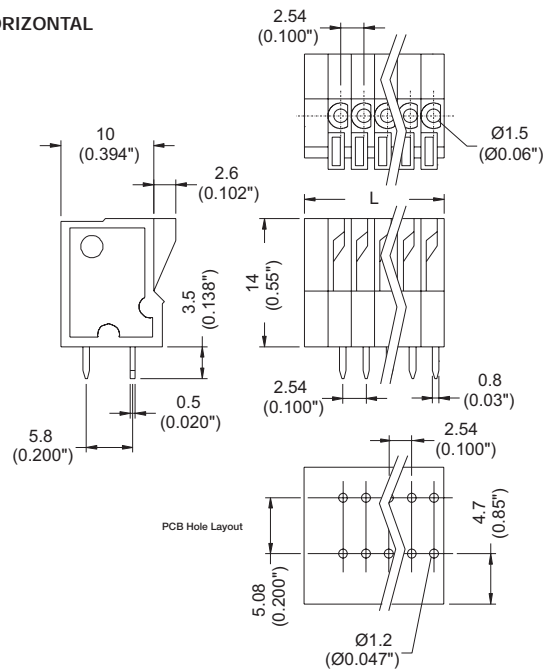


### Dimensions - mm (in)

VERTICAL



### HORIZONTAL



Poles	L (mm)	Poles	L (mm)
2	8.08	10	30.94
3	10.62	11	33.48
4	13.16	12	36.02
5	15.70	13	38.56
6	18.24	14	41.10
7	33.48	15	43.64
8	30.94	16	46.18
9	28.40		

To convert to inches, divide by 25.4

## Part Numbering System

Series	# of Poles	Orientation
<b>EM2742</b>	<input type="checkbox"/> <input type="checkbox"/>	<input type="checkbox"/>
	02 to 16	H - horizontal V - vertical