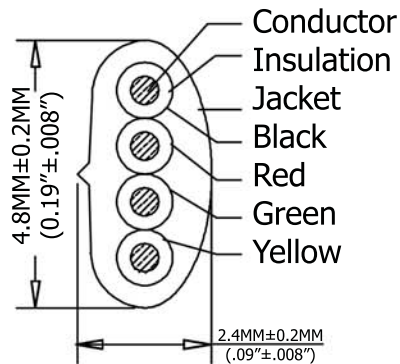


Extended length is with 500g of force

Materials:

- Plug Housing: Polycarbonate, clear
- Plug Terminal: 0.36"[.014MM] Thick Phosphor Bronze
- Connector: 50µ" of Selective Gold Contact Plating
 - Area, Gold flash over the remainder
 - Over 2.54µm[.000100] thick nickel underplate
- Conductor(X4C): 26AWG (0.12X12) Bare Copper
- Insulation(X4C): PP6331 ID 0.95-1.0
- Jacket: PVC NOUL 80P
- Package: Individual PE Bag



SEC:A-A

TERMINATION:

P1	P2	COLOR
1	1	BLACK
2	2	RED
3	3	GREEN
4	4	YELLOW

Extended Length ("L2")	Typical Retracted Length ("L1")
120.0 Inches - 138.0 Inches	25.0 Inches
3,048.0MM-3,505.2MM	635.0MM



ITEM NO
AT-C-26-4/4/W-10/R-R
 TITLE NON-UL 26AWG (0.16/7)*4C, O.D.: 2.4*4.8MM
 Reverse Plug, 50µ" of contact plating, WHITE



1840 W. Drake Drive, Suite 101 - Tempe, AZ 85283
 Toll Free: 1-877-277-6266 Email: info@usa-assmann.com

THIS DRAWING IS UNPUBLISHED
 © Copyright 2009 by Assmann Electronic Components
 All International Rights Reserved