



PRODUCT DATASHEET

RGBX series

last update 12/11/2013

DETAILS

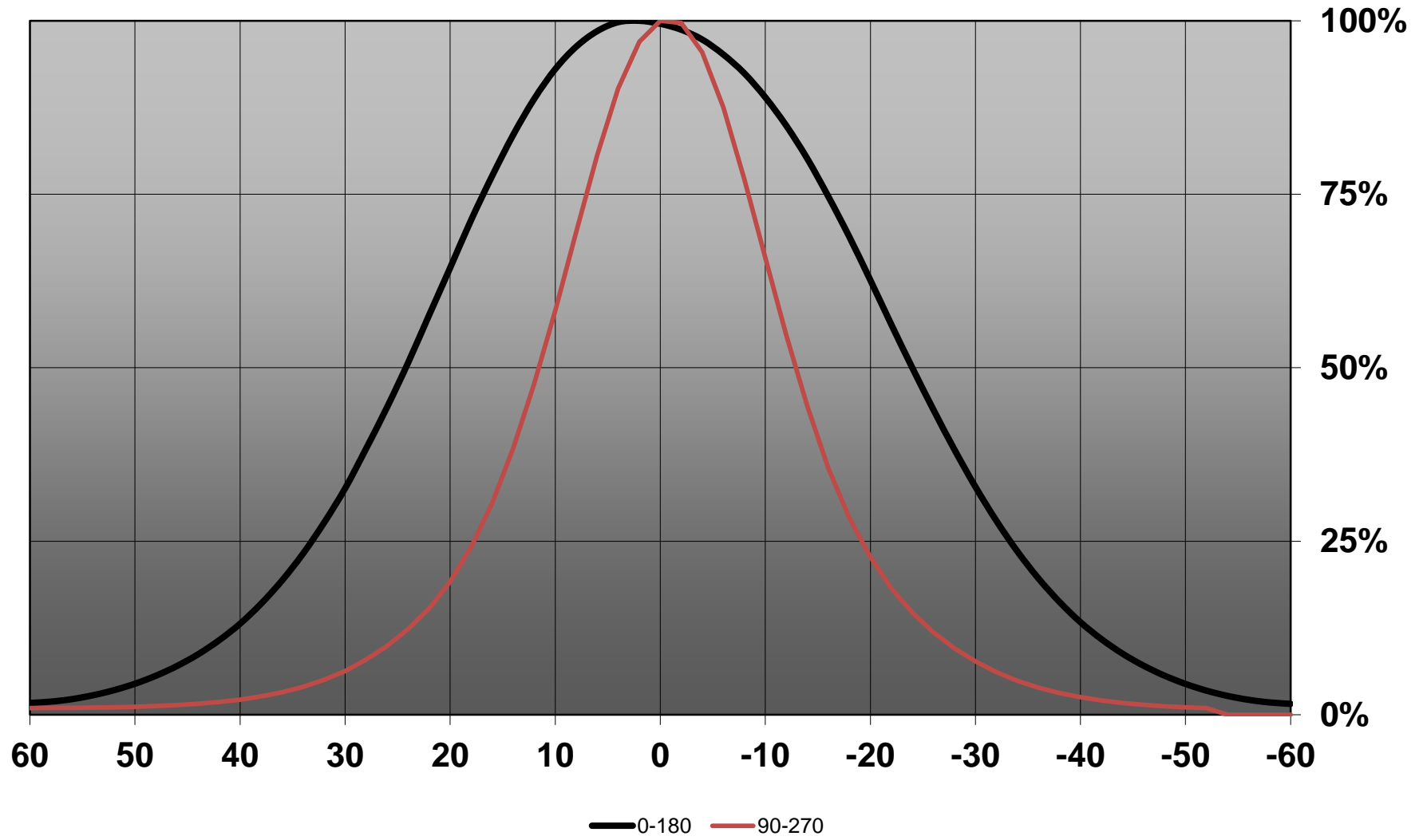
Product Number	CP13939_RGBX2-O
Family	RGBX
Type	Assembly
Color	clear
Diameter	30,4 mm
Height	28,2 mm
Style	round
Optic Material	PMMA
Holder Material	
Fastening	
Status	ready
ROHS Compliant	Yes
Date Updated	12/11/2013



OPTICAL PROPERTIES

LED	Viewing Angle	Light Beam	Efficiency	cd/lm	Connector
XM-L RGB	48+24 deg	Oval	66 %	1.480	-

Relative intensity of CP13939_RGBX2-O_(XM-L RGBW)



D

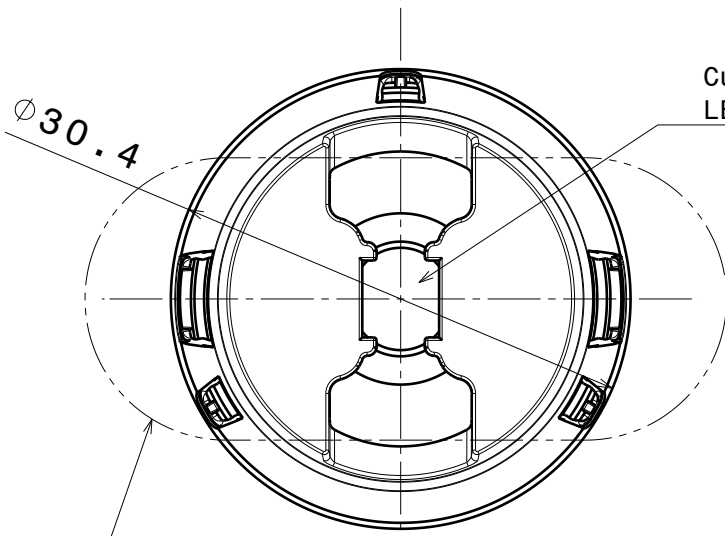
C

B

A

4

4



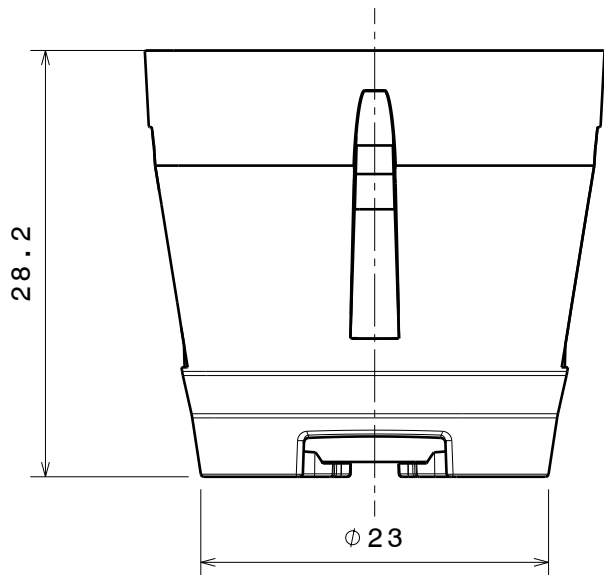
Cut out for 5x5mm LED

Note position guide for optional sub lens

Note Oval beam direction with optional sub lens

3

3



28.2

23

2

2

Note:
Height of assy same also with SUB LENS.
Fastening with glue.

INDEX	PART NO	DESCRIPTION	MATERIAL	COLOUR
1	Holder	RGBX-HLD	PC	black
2	RGBX-Lens		PMMA	
3	SUB LENS		PC	

Tolerances if not otherwise shown
According to DIN ISO 2768-1
Linear measures:
Up to 30mm class M, otherwise class C.
According to DIN ISO 2768-2
Form and position: class L

LEDiL
Ledil Oy
Salorankatu 10
FIN 24240 SALO
Finland

THIRD ANGLE PROJECTION:

DRAWING TITLE
Datasheet RGBX2 assembly

This drawing is the property of LEDiL Oy. It may not be reproduced, copied or communicated without a written agreement with LEDiL Oy."

SIZE PART NUMBER
A4

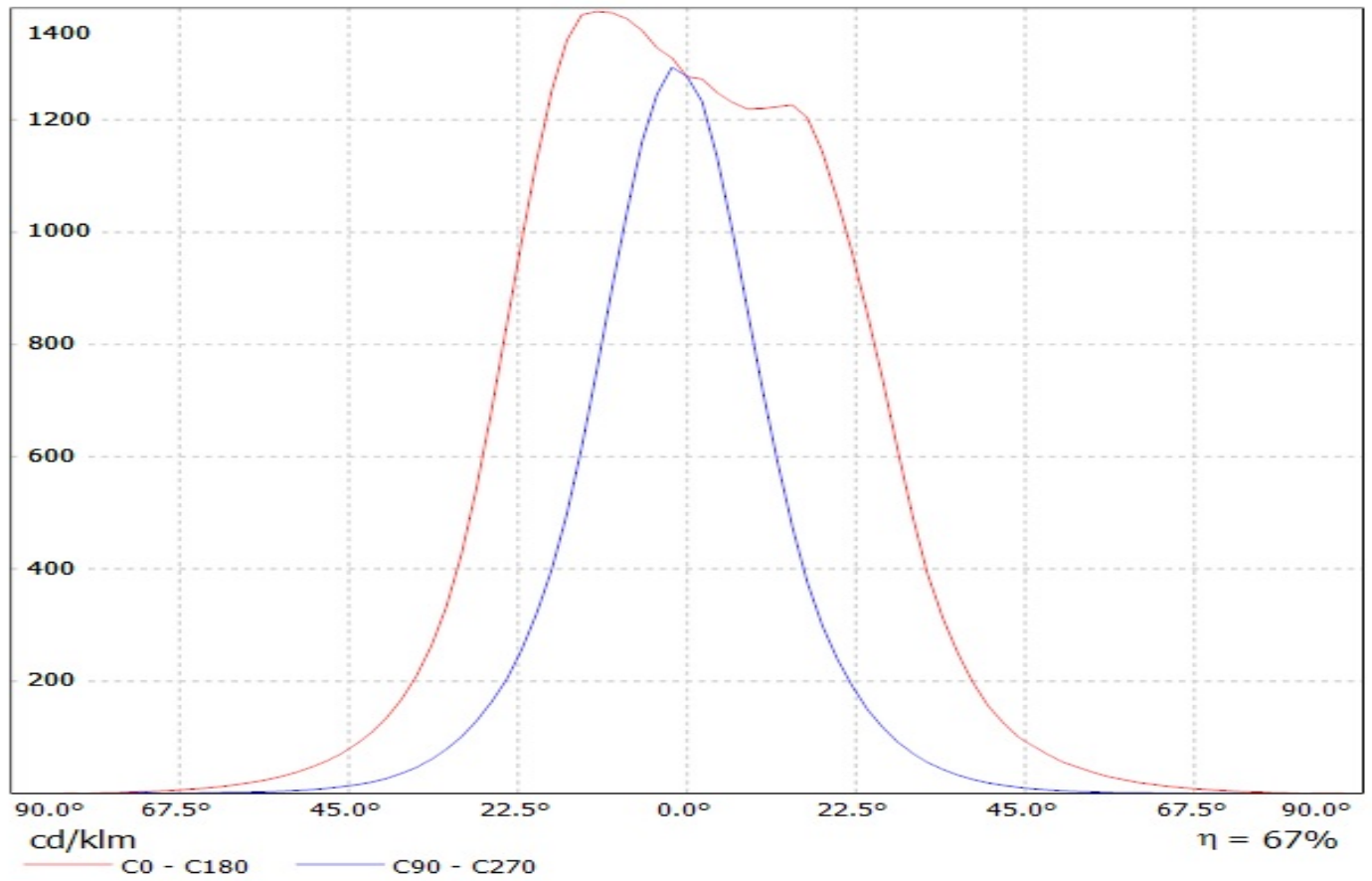
SCALE 2:1 WEIGHT 12 g SHEET 1/1

D

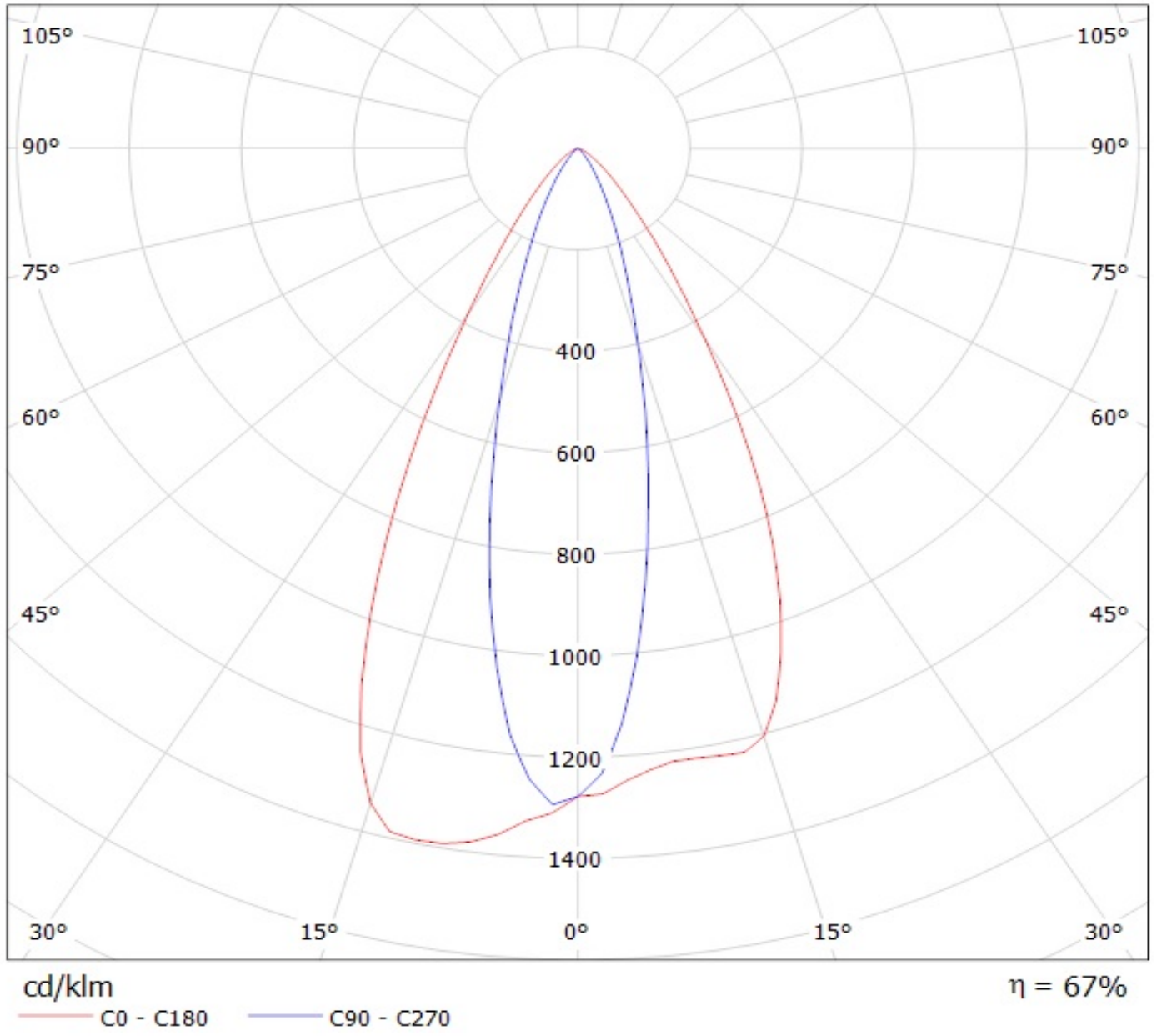
A

1

Luminaire: LEDil Oy CP13939_RGBX2-O_(XM-L_RGBW) Efficiency=66%
Lamps: 1 x Cree Xm-L_RGBW (204lm @ 250mA) CCT=n/a P=2.8W I=250mA



Luminaire: LEDil Oy CP13939_RGBX2-O_(XM-L_RGBW) Efficiency=66%
Lamps: 1 x Cree Xm-L_RGBW (204lm @ 250mA) CCT=n/a P=2.8W I=250mA



NOTE: The typical divergence will be changed by different color, chip size and chip position tolerance. The typical total divergence is the full angle measured where the luminous intensity is half of the peak value.