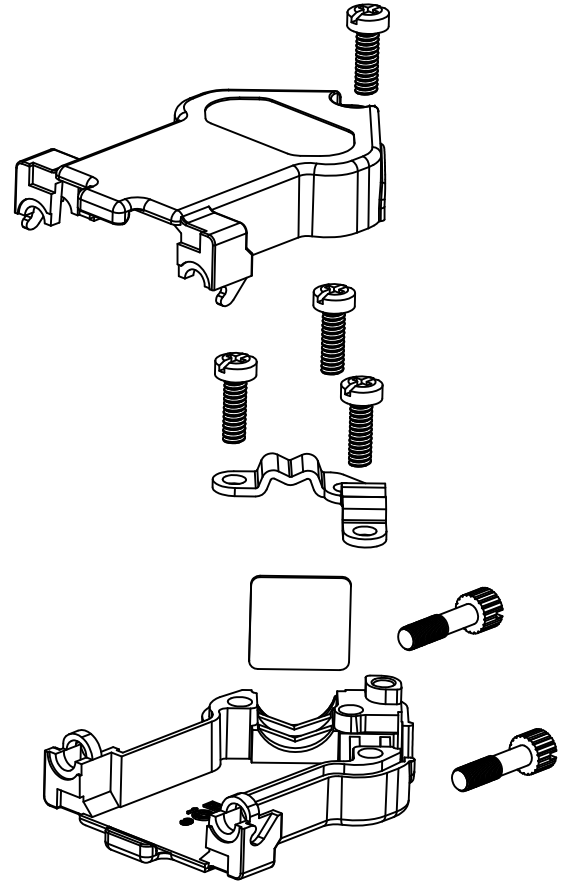
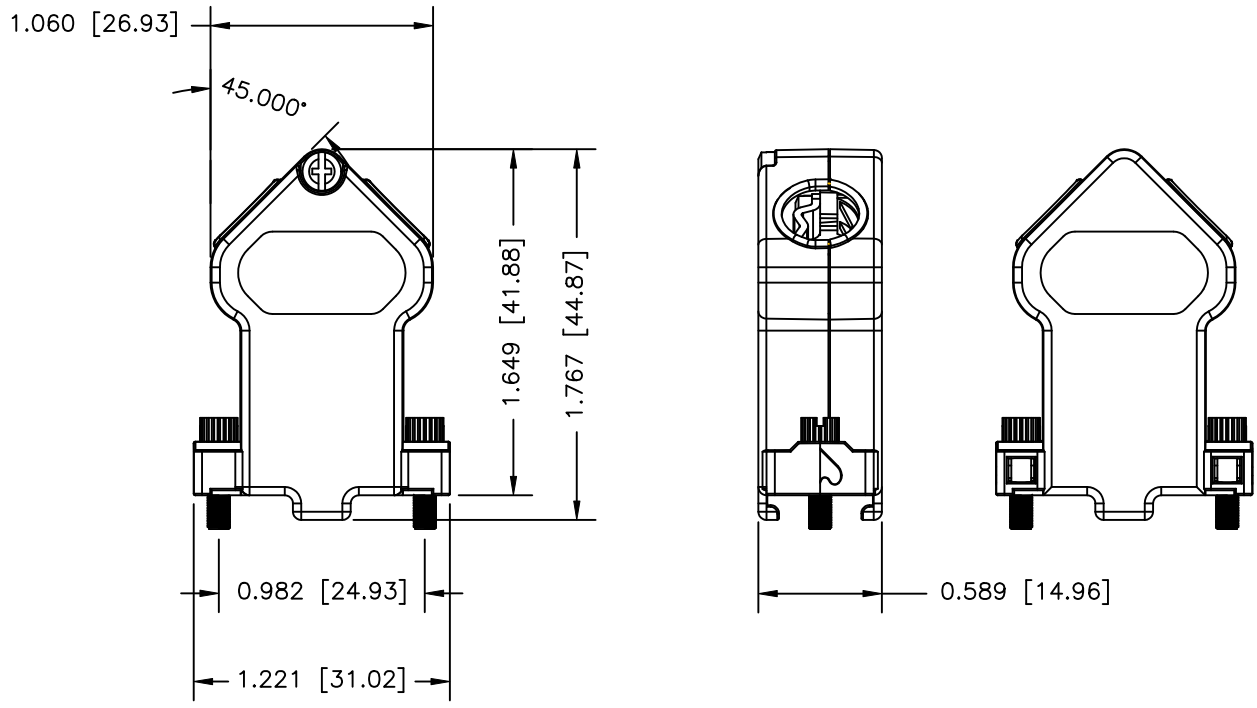


**BACKSHELL KIT INCLUDES:**

- (2) BACKSHELL HALVES
- (2) 4-40 JACKSCREWS
- (1) HOUSING SCREWS
- (3) STRAIN RELIEF SCREWS
- (1) STRAIN RELIEF CLAMP
- (1) COVER PLATE


- MATERIAL: DIE-CAST ZINC ALLOY
- PLATING: NICKEL OVER COPPER
- JACKSCREWS: STEEL, ZINC PLATED
- HOUSING SCREWS: STEEL, ZINC PLATED
- STRAIN RELIEF SCREWS: STEEL, ZINC PLATED
- COVER PLATE: STEEL, ZINC PLATED
- STRAIN RELIEF CLAMP: STEEL, ZINC PLATED



RECOMMENDED CABLE DIAMETER: 0.189 [4.80] – 0.354 [9.00]

GENERAL TOLERANCE  
 ANGLE (±5°)  
 LINEAR = ±0.015 [±0.38]

**RoHS COMPLIANT**

	THESE DRAWINGS AND SPECIFICATIONS ARE THE PROPERTY OF NorComp AND SHALL NOT BE REPRODUCED, COPIED OR USED AS THE BASIS FOR THE MANUFACTURE OR SALE OF APPARATUS WITHOUT WRITTEN PERMISSION.		DRAWN: <b>M. SIGMON</b>	DATE: <b>05-12-15</b>
			CHECKED:	DATE:
<h1>NorComp</h1>		SCALE	SHEET 1 OF 1	REV 0
		DWG NO. <b>959-009-030R121</b>		