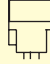
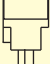
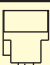



Male Style 1/2 M

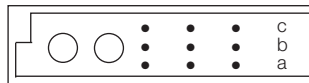
Series 8483



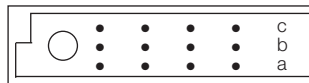
| Contact Design and Termination Length | No. of Cavities For Signal Contacts | No. of Cavities for Special Contacts | Loading Description | Part Number Performance classes according to DIN 41612 | |
|---|-------------------------------------|--------------------------------------|------------------------|--|---------------------|
| | | | | II | I |
| 3.0 mm (Y) Straight  | 12 (3 x 4) | 4 | a + b + c fully loaded | 10 8483 012 001 025 | 10 8483 012 001 049 |
| | 30 (3 x 10) | 2 | a + b + c fully loaded | 10 8483 030 001 025 | 10 8483 030 001 049 |
| 11.4 mm (Y) Straight  | 12 (3 x 4) | 4 | a + b + c fully loaded | 10 8483 012 002 025 | 10 8483 012 002 049 |
| | 30 (3 x 10) | 2 | a + b + c fully loaded | 10 8483 030 002 025 | 10 8483 030 002 049 |
| 3.0 mm (Y) Right Angled  | 12 (3 x 4) | 4 | a + b + c fully loaded | 10 8483 012 003 025 | 10 8483 012 003 049 |
| | 30 (3 x 10) | 2 | a + b + c fully loaded | 10 8483 030 003 025 | 10 8483 030 003 049 |
| 11.3mm (Y) Right Angled  | 12 (3 x 4) | 4 | a + b + c fully loaded | 10 8483 012 004 025 | 10 8483 012 004 049 |
| | 30 (3 x 10) | 2 | a + b + c fully loaded | 10 8483 030 004 025 | 10 8483 030 004 049 |
| Solder hole | | | | | |
| | rows a + c 6.1 mm | 12 (3 x 4) | 4 | a + b + c fully loaded | 10 8483 012 006 025 |
| row b 8.8 mm | 30 (3 x 10) | 2 | a + b + c fully loaded | 10 8483 030 006 025 | 10 8483 030 006 049 |

NB: Additional Plating & Loading Variations: Please contact your local AVX sales office or distributor.

LOADING DESCRIPTION

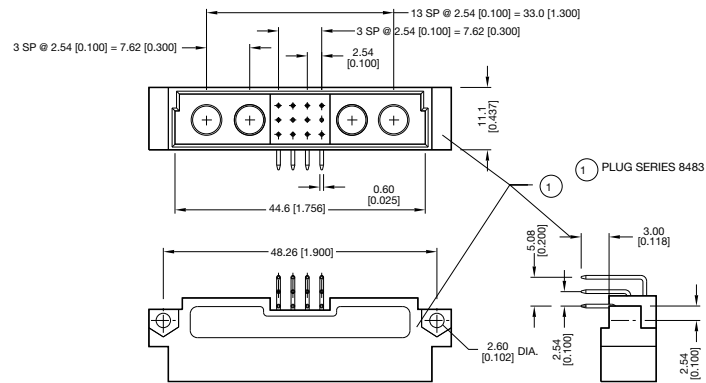


4 contacts, rows a + b + c fully loaded



2 contacts, rows a + b + c fully loaded

DIMENSIONS

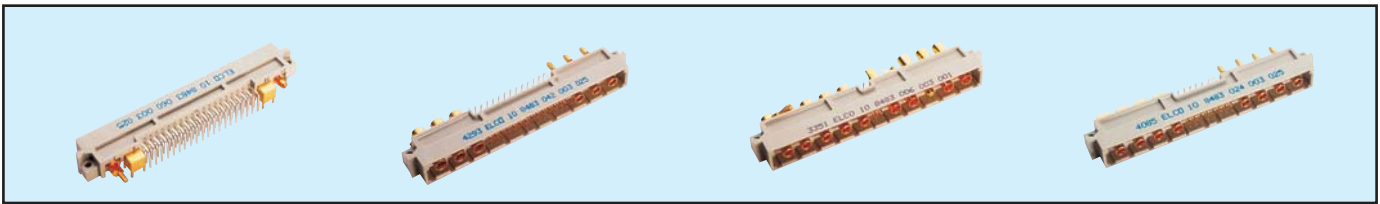


CONTACT ARRANGEMENT

| Variations Receptacle (Mating Side) | | | | | | Max. Pin Counts |
|-------------------------------------|----|---|---|---|---|-------------------------------|
| 15 | 12 | 9 | 8 | 5 | 2 | |
| a | b | c | | | | 30+ Max. 2 Signal Contacts |
| a | b | c | | | | |
| | | | | | | |
| | | | | | | 12+ Max. 4 Signal Contacts |

Male Style M

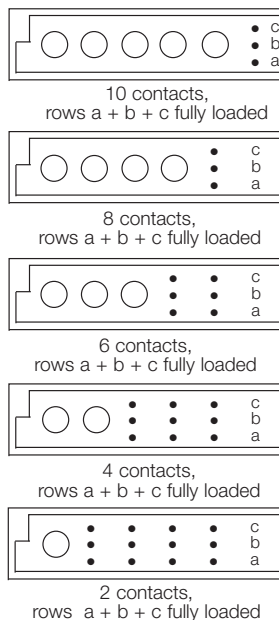
Series 8483 – Fully loaded



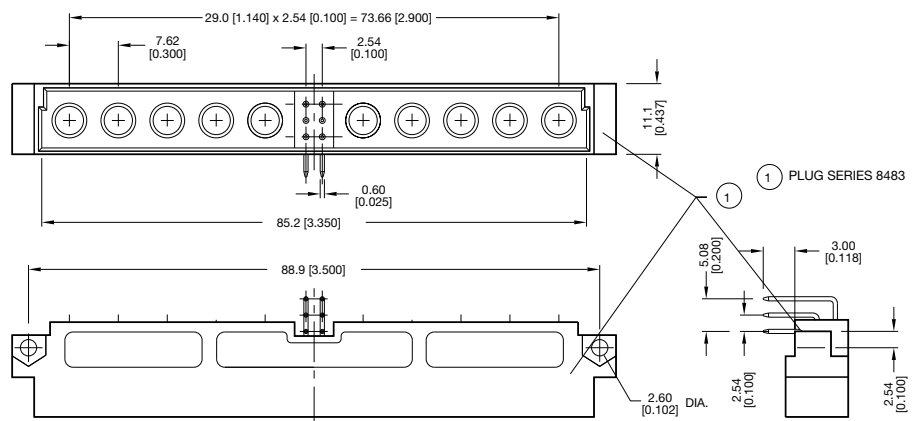
| Contact Design and Termination Length | No. of Cavities For Signal Contacts | No. of Cavities for Special Contacts | Loading Description | Part Number Performance classes according to DIN 41612 | |
|--|-------------------------------------|--------------------------------------|------------------------|--|---------------------|
| | | | | II | I |
| 3.0 mm (Y) Straight | 6 (3 x 2) | 10 | a + b + c fully loaded | 10 8483 006 001 025 | 10 8483 006 001 049 |
| | 24 (3 x 8) | 8 | a + b + c fully loaded | 10 8483 024 001 025 | 10 8483 024 001 049 |
| | 42 (3 x 14) | 6 | a + b + c fully loaded | 10 8483 042 001 025 | 10 8483 042 001 049 |
| | 60 (3 x 20) | 4 | a + b + c fully loaded | 10 8483 060 001 025 | 10 8483 060 001 049 |
| | 78 (3 x 26) | 2 | a + b + c fully loaded | 10 8483 078 001 025 | 10 8483 078 001 049 |
| 11.4 mm (Y) Straight | 6 (3 x 2) | 10 | a + b + c fully loaded | 10 8483 006 002 025 | 10 8483 006 002 049 |
| | 24 (3 x 8) | 8 | a + b + c fully loaded | 10 8483 024 002 025 | 10 8483 024 002 049 |
| | 42 (3 x 14) | 6 | a + b + c fully loaded | 10 8483 042 002 025 | 10 8483 042 002 049 |
| | 60 (3 x 20) | 4 | a + b + c fully loaded | 10 8483 060 002 025 | 10 8483 060 002 049 |
| | 78 (3 x 26) | 2 | a + b + c fully loaded | 10 8483 078 002 025 | 10 8483 078 002 049 |
| 3.0 mm (Y) Right Angled | 6 (3 x 2) | 10 | a + b + c fully loaded | 10 8483 006 003 025 | 10 8483 006 003 049 |
| | 24 (3 x 8) | 8 | a + b + c fully loaded | 10 8483 024 003 025 | 10 8483 024 003 049 |
| | 42 (3 x 14) | 6 | a + b + c fully loaded | 10 8483 042 003 025 | 10 8483 042 003 049 |
| | 60 (3 x 20) | 4 | a + b + c fully loaded | 10 8483 060 003 025 | 10 8483 060 003 049 |
| | 78 (3 x 26) | 2 | a + b + c fully loaded | 10 8483 078 003 025 | 10 8483 078 003 049 |
| 11.3mm (Y) Right Angled | 6 (3 x 2) | 10 | a + b + c fully loaded | 10 8483 006 004 025 | 10 8483 006 004 049 |
| | 24 (3 x 8) | 8 | a + b + c fully loaded | 10 8483 024 004 025 | 10 8483 024 004 049 |
| | 42 (3 x 14) | 6 | a + b + c fully loaded | 10 8483 042 004 025 | 10 8483 042 004 049 |
| | 60 (3 x 20) | 4 | a + b + c fully loaded | 10 8483 060 004 025 | 10 8483 060 004 049 |
| | 78 (3 x 26) | 2 | a + b + c fully loaded | 10 8483 078 004 025 | 10 8483 078 004 049 |
| Solder hole rows a + c 6.1 mm row b 8.8 mm | 6 (3 x 2) | 10 | a + b + c fully loaded | 10 8483 006 006 025 | 10 8483 006 006 049 |
| | 24 (3 x 8) | 8 | a + b + c fully loaded | 10 8483 024 006 025 | 10 8483 024 006 049 |
| | 42 (3 x 14) | 6 | a + b + c fully loaded | 10 8483 042 006 025 | 10 8483 042 006 049 |
| | 60 (3 x 20) | 4 | a + b + c fully loaded | 10 8483 060 006 025 | 10 8483 060 006 049 |
| | 78 (3 x 26) | 2 | a + b + c fully loaded | 10 8483 078 006 025 | 10 8483 078 006 049 |

NB: Additional Plating & Loading Variations: Please contact your local AVX sales office or distributor.

LOADING DESCRIPTION



DIMENSIONS

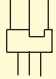
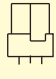
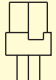


See Page 45 for board layout

Female Style M

Series 8483 – Fully loaded



| Contact Design and Termination Length | No. of Cavities For Signal Contacts | No. of Cavities for Special Contacts | Loading Description | Part Number Performance classes according to DIN 41612 | |
|--|-------------------------------------|--------------------------------------|------------------------|--|---------------------|
| | | | | II | I |
| 4.5 mm (Y) Straight  | 6 (3 x 2) | 10 | a + b + c fully loaded | 20 8483 006 001 025 | 20 8483 006 001 049 |
| | 24 (3 x 8) | 8 | a + b + c fully loaded | 20 8483 024 001 025 | 20 8483 024 001 049 |
| | 42 (3 x 14) | 6 | a + b + c fully loaded | 20 8483 042 001 025 | 20 8483 042 001 049 |
| | 60 (3 x 20) | 4 | a + b + c fully loaded | 20 8483 060 001 025 | 20 8483 060 001 049 |
| | 78 (3 x 26) | 2 | a + b + c fully loaded | 20 8483 078 001 025 | 20 8483 078 001 049 |
| 2.9 mm (Y) Straight  | 6 (3 x 2) | 10 | a + b + c fully loaded | 20 8483 006 002 025 | 20 8483 006 002 049 |
| | 24 (3 x 8) | 8 | a + b + c fully loaded | 20 8483 024 002 025 | 20 8483 024 002 049 |
| | 42 (3 x 14) | 6 | a + b + c fully loaded | 20 8483 042 002 025 | 20 8483 042 002 049 |
| | 60 (3 x 20) | 4 | a + b + c fully loaded | 20 8483 060 002 025 | 20 8483 060 002 049 |
| | 78 (3 x 26) | 2 | a + b + c fully loaded | 20 8483 078 002 025 | 20 8483 078 002 049 |
| 13.0 mm (Y) Straight  | 6 (3 x 2) | 10 | a + b + c fully loaded | 20 8483 006 003 025 | 20 8483 006 003 049 |
| | 24 (3 x 8) | 8 | a + b + c fully loaded | 20 8483 024 003 025 | 20 8483 024 003 049 |
| | 42 (3 x 14) | 6 | a + b + c fully loaded | 20 8483 042 003 025 | 20 8483 042 003 049 |
| | 60 (3 x 20) | 4 | a + b + c fully loaded | 20 8483 060 003 025 | 20 8483 060 003 049 |
| | 78 (3 x 26) | 2 | a + b + c fully loaded | 20 8483 078 003 025 | 20 8483 078 003 049 |

NB: Additional Plating & Loading Variations: Please contact your local AVX sales office or distributor.

LOADING DESCRIPTION



10 contacts,
rows a + b + c fully loaded



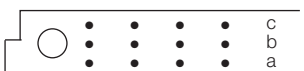
8 contacts,
rows a + b + c fully loaded



6 contacts,
rows a + b + c fully loaded

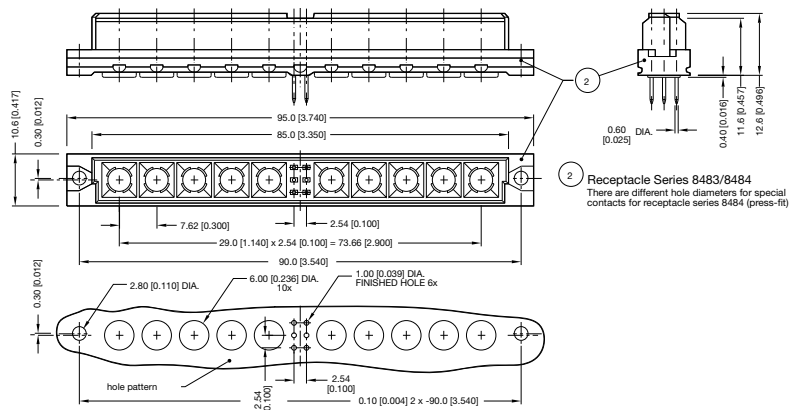


4 contacts,
rows a + b + c fully loaded



2 contacts,
rows a + b + c fully loaded

DIMENSIONS



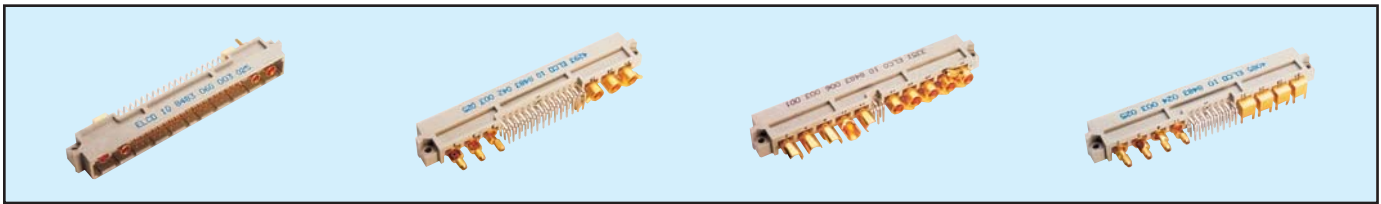
| CONTACT ARRANGEMENT | | max pin counts |
|---|--|-------------------------------|
| variations receptacle (mating side) 31 28 25 22 19 17 16 14 11 8 5 2 | | |
| a | | 78+ max 2 special contacts |
| b | | 60+ max 4 special contacts |
| c | | 42+ max 6 special contacts |
| a | | 24+ max 8 special contacts |
| b | | 6+ max 10 special contacts |

See Page 45 for board layout

Male Style M



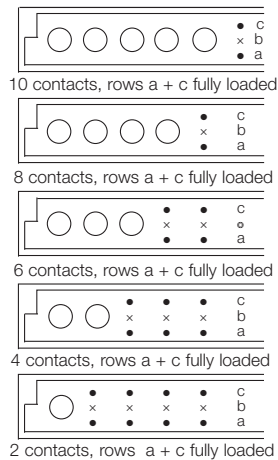
Series 8483 – a + c loaded



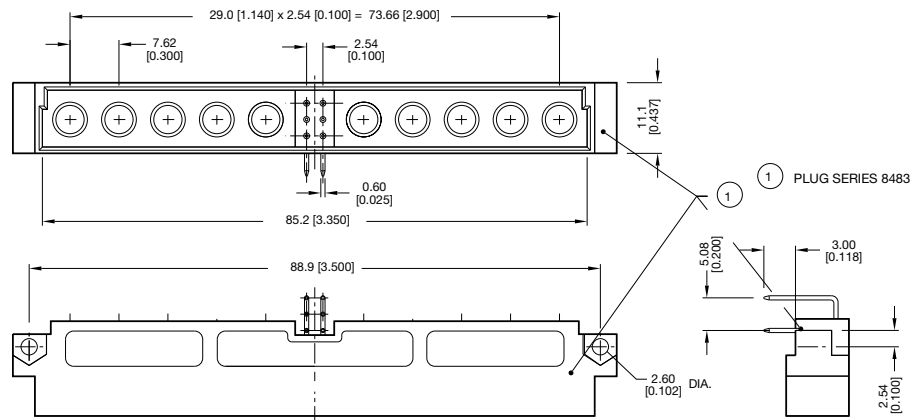
| Contact Design and Termination Length | No. of Cavities For Signal Contacts | No. of Cavities for Special Contacts | Loading Description | Part Number Performance classes according to DIN 41612 | |
|--|-------------------------------------|--------------------------------------|---------------------|--|---------------------|
| | | | | II | I |
| 3.0 mm (Y) Straight | 6 (3 x 2) | 10 | a + c fully loaded | 10 8483 006 001 026 | 10 8483 006 001 050 |
| | 24 (3 x 8) | 8 | a + c fully loaded | 10 8483 024 001 026 | 10 8483 024 001 050 |
| | 42 (3 x 14) | 6 | a + c fully loaded | 10 8483 042 001 026 | 10 8483 042 001 050 |
| | 60 (3 x 20) | 4 | a + c fully loaded | 10 8483 060 001 026 | 10 8483 060 001 050 |
| | 78 (3 x 26) | 2 | a + c fully loaded | 10 8483 078 001 026 | 10 8483 078 001 050 |
| 11.4 mm (Y) Straight | 6 (3 x 2) | 10 | a + c fully loaded | 10 8483 006 002 026 | 10 8483 006 002 050 |
| | 24 (3 x 8) | 8 | a + c fully loaded | 10 8483 024 002 026 | 10 8483 024 002 050 |
| | 42 (3 x 14) | 6 | a + c fully loaded | 10 8483 042 002 026 | 10 8483 042 002 050 |
| | 60 (3 x 20) | 4 | a + c fully loaded | 10 8483 060 002 026 | 10 8483 060 002 050 |
| | 78 (3 x 26) | 2 | a + c fully loaded | 10 8483 078 002 026 | 10 8483 078 002 050 |
| 3.0 mm (Y) Right Angled | 6 (3 x 2) | 10 | a + c fully loaded | 10 8483 006 003 026 | 10 8483 006 003 050 |
| | 24 (3 x 8) | 8 | a + c fully loaded | 10 8483 024 003 026 | 10 8483 024 003 050 |
| | 42 (3 x 14) | 6 | a + c fully loaded | 10 8483 042 003 026 | 10 8483 042 003 050 |
| | 60 (3 x 20) | 4 | a + c fully loaded | 10 8483 060 003 026 | 10 8483 060 003 050 |
| | 78 (3 x 26) | 2 | a + c fully loaded | 10 8483 078 003 026 | 10 8483 078 003 050 |
| 11.3mm (Y) Right Angled | 6 (3 x 2) | 10 | a + c fully loaded | 10 8483 006 004 026 | 10 8483 006 004 050 |
| | 24 (3 x 8) | 8 | a + c fully loaded | 10 8483 024 004 026 | 10 8483 024 004 050 |
| | 42 (3 x 14) | 6 | a + c fully loaded | 10 8483 042 004 026 | 10 8483 042 004 050 |
| | 60 (3 x 20) | 4 | a + c fully loaded | 10 8483 060 004 026 | 10 8483 060 004 050 |
| | 78 (3 x 26) | 2 | a + c fully loaded | 10 8483 078 004 026 | 10 8483 078 004 050 |
| Solder eyelet rows a + c 4.8 mm row b 7.5 mm | 6 (3 x 2) | 10 | a + c fully loaded | 10 8483 006 005 026 | 10 8483 006 005 050 |
| | 24 (3 x 8) | 8 | a + c fully loaded | 10 8483 024 005 026 | 10 8483 024 005 050 |
| | 42 (3 x 14) | 6 | a + c fully loaded | 10 8483 042 005 026 | 10 8483 042 005 050 |
| | 60 (3 x 20) | 4 | a + c fully loaded | 10 8483 060 005 026 | 10 8483 060 005 050 |
| | 78 (3 x 26) | 2 | a + c fully loaded | 10 8483 078 005 026 | 10 8483 078 005 050 |

NB: Additional Plating & Loading Variations: Please contact your local AVX sales office or distributor.

LOADING DESCRIPTION



DIMENSIONS



See Page 45 for board layout

Female Style M

Series 8483 – a + c loaded



| Contact Design and Termination Length | No. of Cavities For Signal Contacts | No. of Cavities for Special Contacts | Loading Description | Part Number Performance classes according to DIN 41612 | |
|---------------------------------------|-------------------------------------|--------------------------------------|---------------------|--|---------------------|
| | | | | II | I |
| 4.5 mm (Y) Straight | 6 (3 x 2) | 10 | a + c fully loaded | 20 8483 006 001 026 | 20 8483 006 001 050 |
| | 24 (3 x 8) | 8 | a + c fully loaded | 20 8483 024 001 026 | 20 8483 024 001 050 |
| | 42 (3 x 14) | 6 | a + c fully loaded | 20 8483 042 001 026 | 20 8483 042 001 050 |
| | 60 (3 x 20) | 4 | a + c fully loaded | 20 8483 060 001 026 | 20 8483 060 001 050 |
| | 78 (3 x 26) | 2 | a + c fully loaded | 20 8483 078 001 026 | 20 8483 078 001 050 |
| 2.9 mm (Y) Straight | 6 (3 x 2) | 10 | a + c fully loaded | 20 8483 006 002 026 | 20 8483 006 002 050 |
| | 24 (3 x 8) | 8 | a + c fully loaded | 20 8483 024 002 026 | 20 8483 024 002 050 |
| | 42 (3 x 14) | 6 | a + c fully loaded | 20 8483 042 002 026 | 20 8483 042 002 050 |
| | 60 (3 x 20) | 4 | a + c fully loaded | 20 8483 060 002 026 | 20 8483 060 002 050 |
| | 78 (3 x 26) | 2 | a + c fully loaded | 20 8483 078 002 026 | 20 8483 078 002 050 |
| 13.0 mm (Y) Straight | 6 (3 x 2) | 10 | a + c fully loaded | 20 8483 006 003 026 | 20 8483 006 003 050 |
| | 24 (3 x 8) | 8 | a + c fully loaded | 20 8483 024 003 026 | 20 8483 024 003 050 |
| | 42 (3 x 14) | 6 | a + c fully loaded | 20 8483 042 003 026 | 20 8483 042 003 050 |
| | 60 (3 x 20) | 4 | a + c fully loaded | 20 8483 060 003 026 | 20 8483 060 003 050 |
| | 78 (3 x 26) | 2 | a + c fully loaded | 20 8483 078 003 026 | 20 8483 078 003 050 |

NB: Additional Plating & Loading Variations: Please contact your local AVX sales office or distributor.

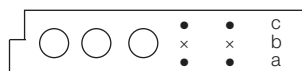
LOADING DESCRIPTION



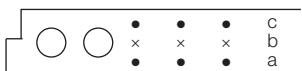
10 contacts,
rows a + c fully loaded



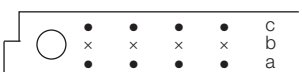
8 contacts,
rows a + c fully loaded



6 contacts,
rows a + c fully loaded

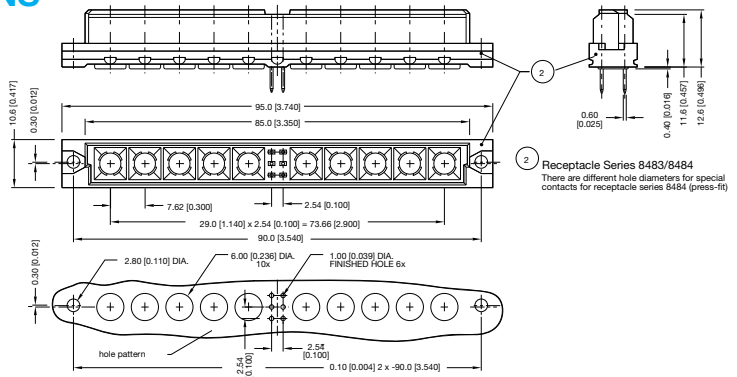


4 contacts,
rows a + c fully loaded



2 contacts,
rows a + c fully loaded

DIMENSIONS



Receptacle Series 8483/8484
There are different hole diameters for special contacts for receptacle series 8484 (press-fit)

| CONTACT ARRANGEMENT | | max pin counts |
|-------------------------------------|----------------------------------|-------------------------------|
| variations receptacle (mating side) | | |
| a | 31 28 25 22 19 17 16 14 11 8 5 2 | 78+ max 2 special contacts |
| b | | 60+ max 4 special contacts |
| c | | 42+ max 6 special contacts |
| a | | 24+ max 8 special contacts |
| b | | 6+ max 10 special contacts |
| c | | |

See Page 45 for board layout