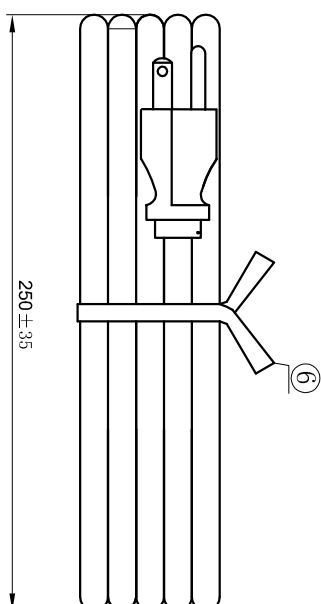
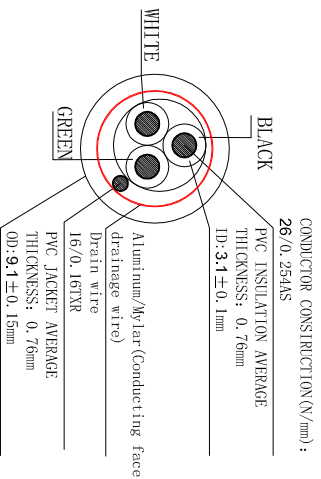
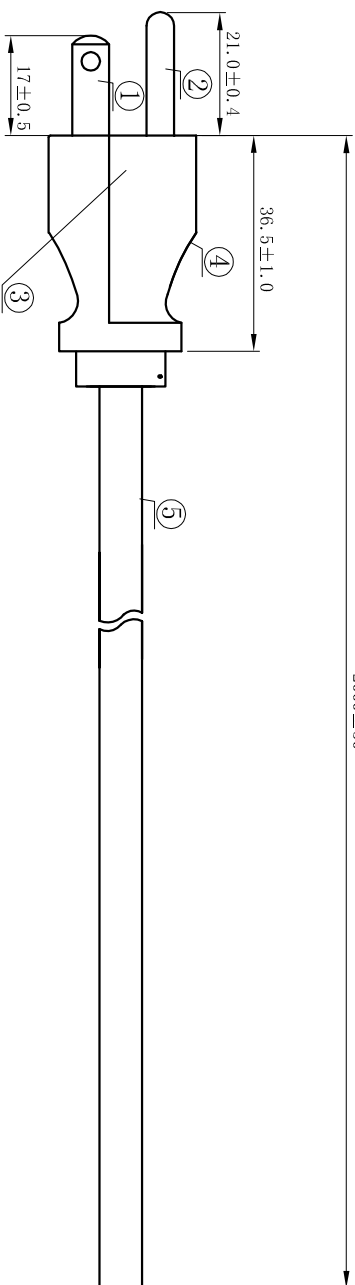
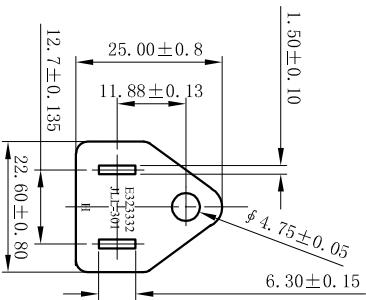


# CnC Tech, LLC

## Industrial Cable and Connector Technology

## Engineer drawing

PART NO.	JLL-301	WIRE	SCALE	1 : 1
DESCRIPTION	SJT#16*3C 105C SHIELDED		UNIT:	mm
DWG No.	800-1601-2-SJT0-BL-00200			



**NOTES:**

- 1) JACKET COLOR: BLACK
  - 2). E-GREEN ; L-BLACK ; N-WHITE
- TESTING:**
- 1) 100% OPEN & SHORT TESTING
  - 2) INSULATION RESISTANCE: 100M ohm (min)
  - 3) VOLTAGE: DC500V/1min
  - 4) ROHS COMPLIANT

Printing the contents of wire The use of printing ink replenish Wire

E243929 (UL) SJT 3X16MM(4.31mm) W-L SHIELDED 105°C 300V CSA 228191 S  
 J1 3X16MM(4.31mm) F72 SHIELDED 105°C 300V -L-

NO.	SPECIFICATION	COLOUR	MATERIAL	AMOUNT
①	Load terminals 98861	Silver	Cu	2P
②	Grounding terminal 97475	Silver	Cu	1P
③	Model aircraft 8661AW-3P	WHITE	PBT	1PCS
④	Plug JLL-301	BLACK	PVC Cu	1PCS
⑤	Wire SJT 16MM/3C 105°	BLACK	PVC Cu	1PCS
⑥	Ties	BLACK		1PCS

REV	DATE	DESCRIPTION	SYMBOL
DRAWN/DATE	CHECKED/DATE		
GONG/10.11.04	ZHUYING/10.11.4		