

DETAILS

Product Number	CA12858_EVA-O
Family	Eva
Type	Assembly
Color	black
Diameter	37.7 mm
Height	17,2 mm
Style	round
Optic Material	PMMA
Holder Material	PC
Fastening	screw, tape
Status	ready
ROHS Compliant	Yes
Date Updated	2/04/2013

OPTICAL PROPERTIES

LED	Viewing Angle	Light Beam	Efficiency	cd/lm	Connector
LUXEON M	20.5+37 deg	Oval	83 %	2.700	-
MK-R	38+20 deg	Oval	84 %	2.700	-



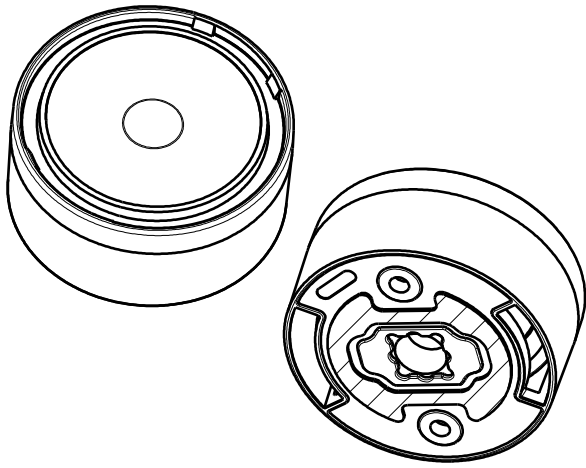
D

C

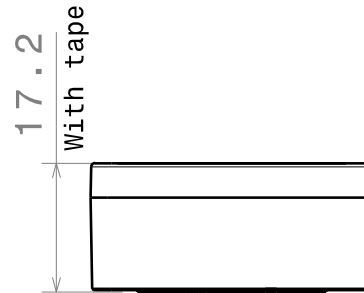
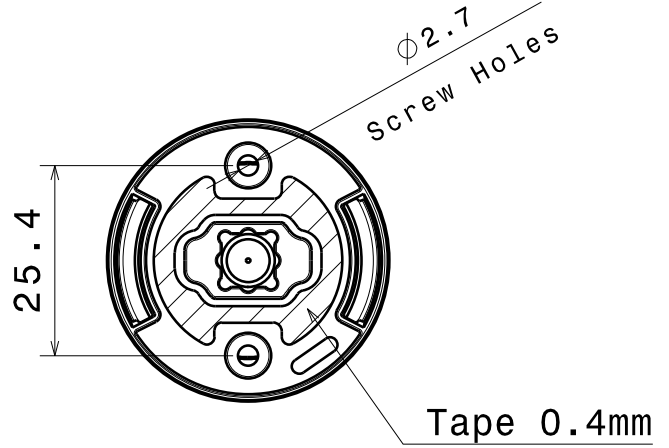
B

A

4

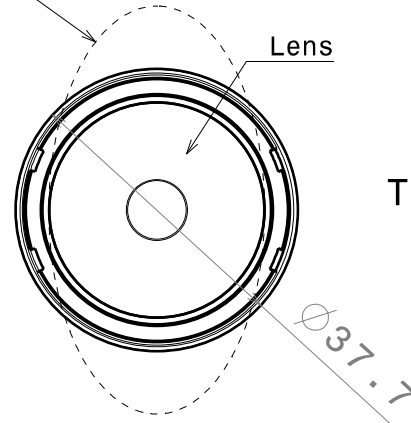


Isometric view



Front view

Oval beam direction



Top view

Materials:
 Lens PMMA
 Holder PC, BLACK
 Tape Pu foam

This drawing is our property.
 It can't be reproduced
 or communicated without
 our written agreement.



Ledil Oy
 Tehdaskatu 13
 FIN-24100 SALO
 Finland

DRAWING TITLE

Datasheet EVA-LUXEON-M-WITH-TAPE Assembly

DRAWN BY

mav

DATE

12.4.2012

CHECKED BY

sn

DATE

12.4.2012

SIZE

A4

DRAWING NUMBER

REV

1

DESIGNED BY

pl

DATE

17.02.2011

SCALE

2:1

WEIGHT (g)

SHEET

1/1

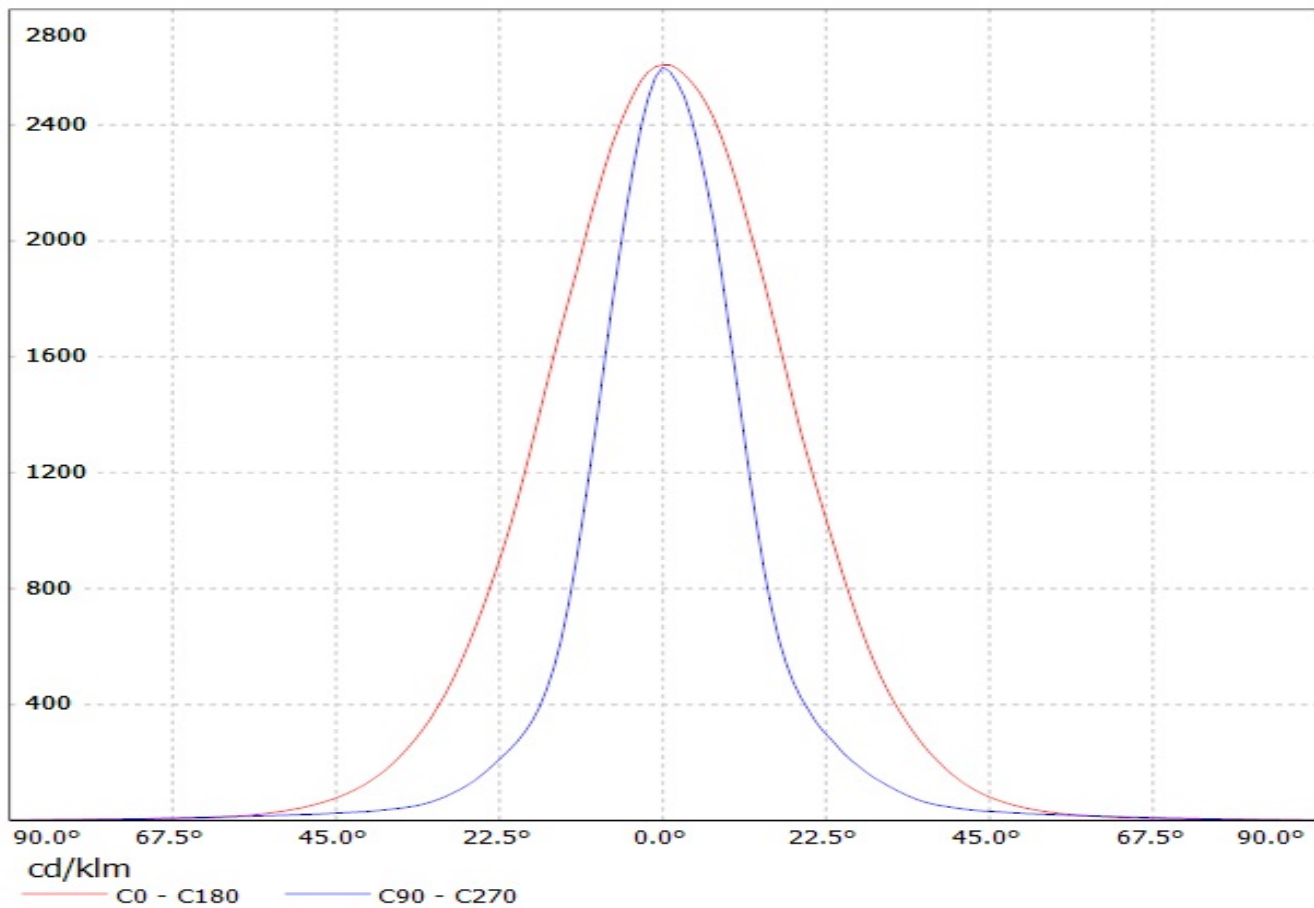
D

A

1

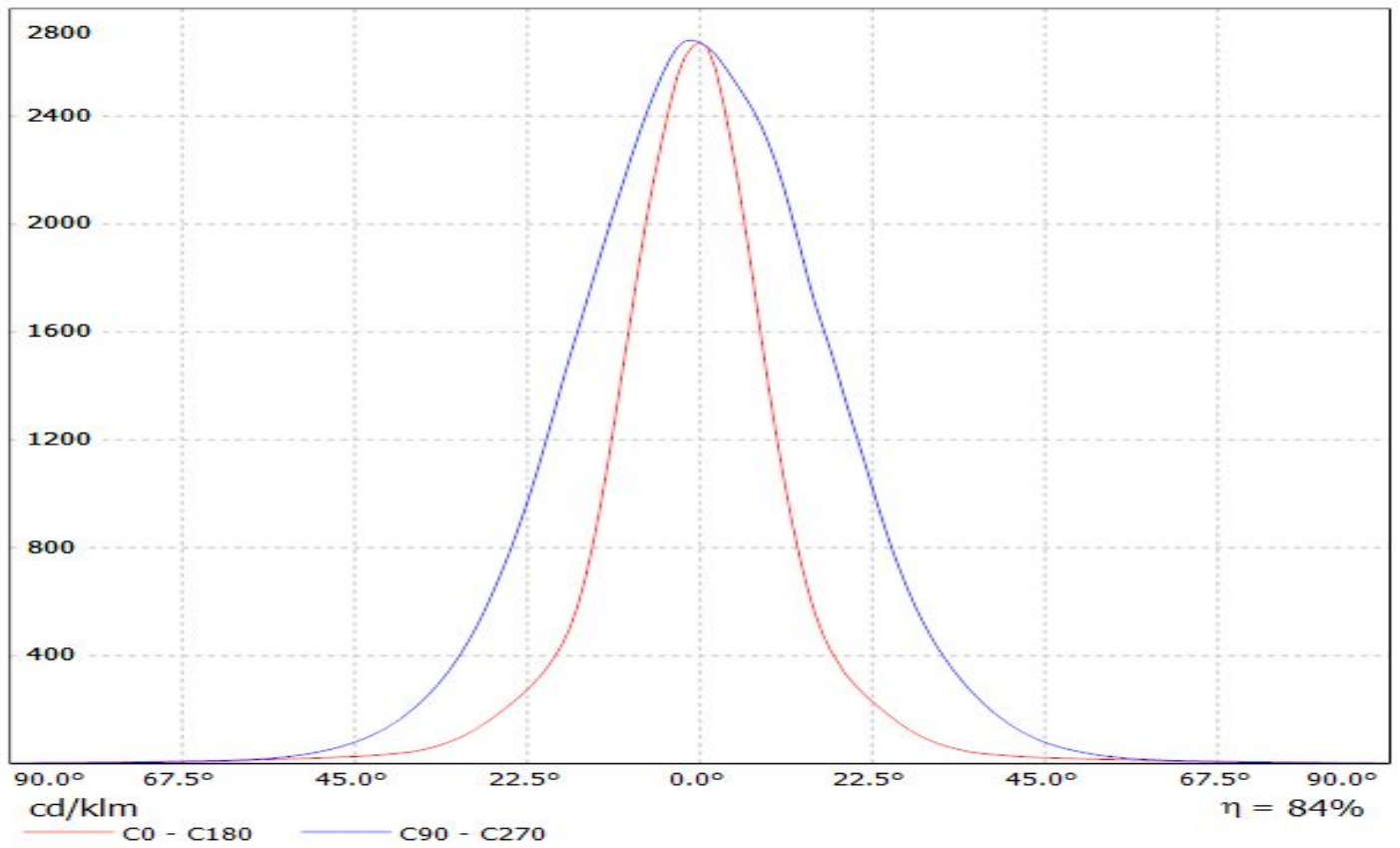
1

Luminaire: LEDIL OY CA12858_EVA-O / CP12857_EVA-O (Luxeon M) Efficiency=83%
Lamps: 1 x Luxeon M (362lm @ 250mA)

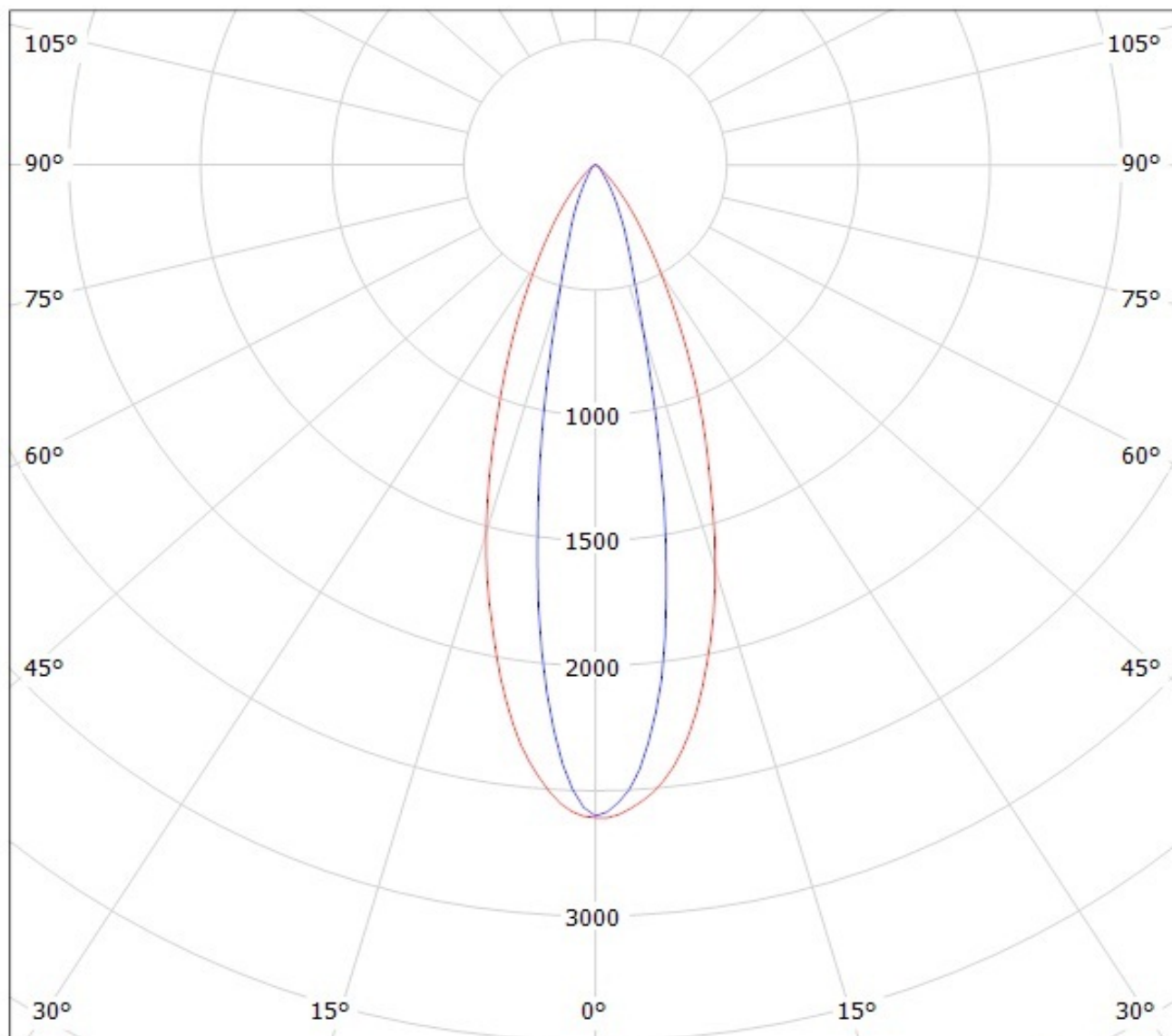


LEDiL Oy CA12858_EVA-O_(MKR) Eff.83,9% / LDC (Linear)

Luminaire: LEDiL Oy CA12858_EVA-O_(MKR) Eff.83,9%
Lamps: 1 x Cree MKR (365lm@250mA)



Luminaire: LEDIL OY CA12858_EVA-O / CP12857_EVA-O (Luxeon M) Efficiency=83%
Lamps: 1 x Luxeon M (362lm @ 250mA)



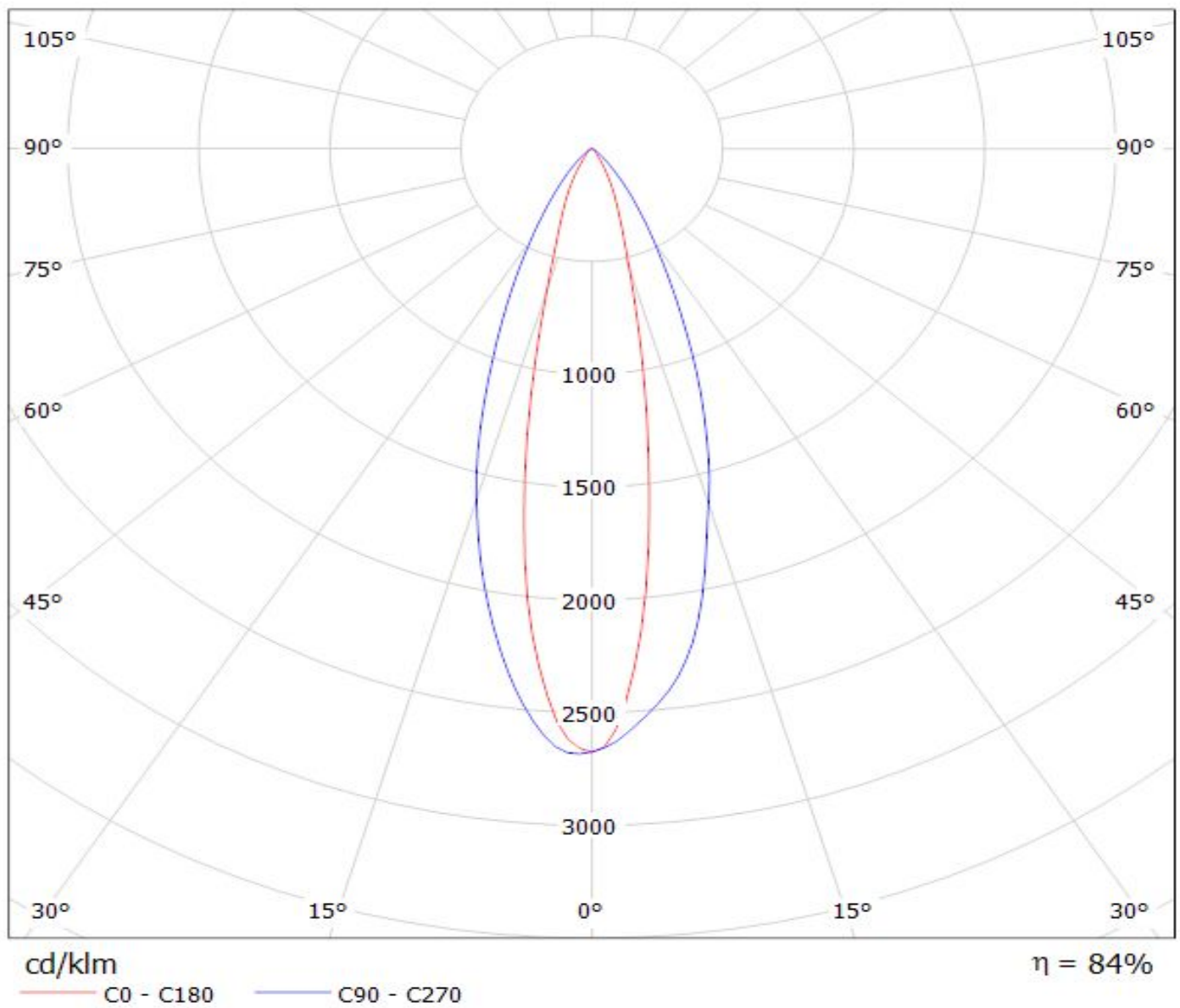
cd/klm

— C0 - C180

— C90 - C270

LEDiL Oy CA12858_EVA-O_(MKR) Eff.83,9% / LDC (Polar)

Luminaire: LEDiL Oy CA12858_EVA-O_(MKR) Eff.83,9%
Lamps: 1 x Cree MKR (365lm@250mA)



NOTE: The typical divergence will be changed by different color, chip size and chip position tolerance. The typical total divergence is the full angle measured where the luminous intensity is half of the peak value.