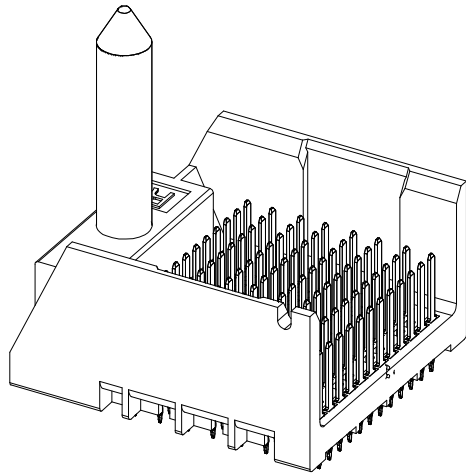


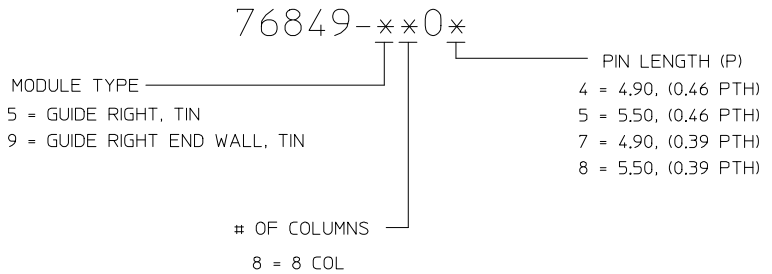
- NOTES:
1. MATERIALS: HOUSING - LIQUID CRYSTAL POLYMER (LCP)
GLASS-FILLED, UL94V-0
TERMINALS - HIGH PERFORMANCE COPPER ALLOY
 2. FINISH: 30μ MIN GOLD IN CONTACT AREA.
SELECTIVE TIN ON PCB TAILS.
NICKEL OVERALL.
 3. REFER TO MOLEX PRODUCT SPECIFICATION PS-76060-999
FOR PERFORMANCE SPECIFICATIONS AND ADDITIONAL PCB INFORMATION.
 4. THIS PART CONFORMS TO CLASS B REQUIREMENTS OF MOLEX
COSMETIC SPEC PS-45499-002.
 5. PACKAGE PER: PK-70873-764.
 6. SEE SHEETS 2 & 3 FOR PART NUMBERS AND BOARD RELATIONSHIPS.
 7. MATES WITH IMPACT DC SERIES NO. 76850.
 8. REFER TO MOLEX PCB ROUTING GUIDE AS-76060-990 FOR ANTIPAD AND
ROUTING RECOMMENDATIONS.
 9. KEEP OUT ZONE FOR BP HOUSING LENGTH INCLUDES AN ADDITIONAL 1.0MM
TO ACCOMODATE FOR SPACE REQUIRED BY DC FRONT HOUSING.
 10. CONNECTORS SUPPLIED WITH A 2-56 UNC-2A SCREW.

INITIAL RELEASE EC NO: UCP2013-0902 DRWINDVARVARA 2012/09/06 CHKD: APPR: JB INGHAM 2012/09/24	QUALITY SYMBOLS ▽=0 ▽=0	GENERAL TOLERANCES (UNLESS SPECIFIED)	DIMENSION STYLE MM ONLY	SCALE 4:1	DESIGN UNITS METRIC	THIRD ANGLE PROJECTION
	REV: A	DESCRIPTION	mm INCH 4 PLACES ± --- ± --- 3 PLACES ± --- ± --- 2 PLACES ± 0.13 ± --- 1 PLACE ± 0.25 ± --- ANGULAR ± 1/2°	DRAWN BY JMENDOZA DATE 2010/05/10	TITLE IMPACT ORTHO ROUTABLE 4 PAIR HEADER ASSEMBLY RIGHT GUIDE SALES DWG	MOLEX MOLEX INCORPORATED
DRAFT WHERE APPLICABLE MUST REMAIN WITHIN DIMENSIONS		APPROVED BY JB INGHAM DATE 2012/09/24	MATERIAL NO. SEE CHART	DOCUMENT NO. SD-76849-0003	SHEET NO. 1 OF 3	THIS DRAWING CONTAINS INFORMATION THAT IS PROPRIETARY TO MOLEX INCORPORATED AND SHOULD NOT BE USED WITHOUT WRITTEN PERMISSION

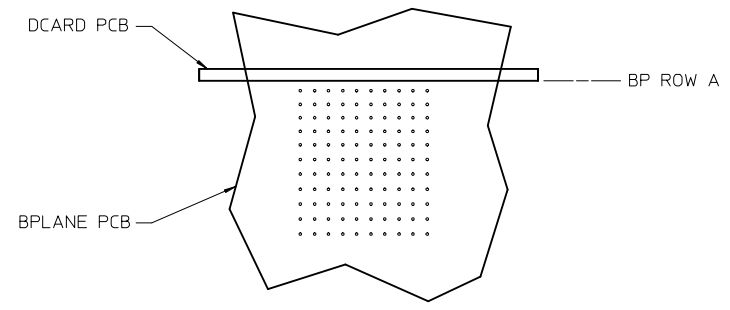
MATERIAL NUMBER	# OF COLUMNS	# OF DIFF PAIR	DIM "A"	DIM "B"	MODULE TYPE
76849-980*	8	32	24.3	14.05	END WALL
76849-580*	8	32	22.9	14.05	OPEN WALL



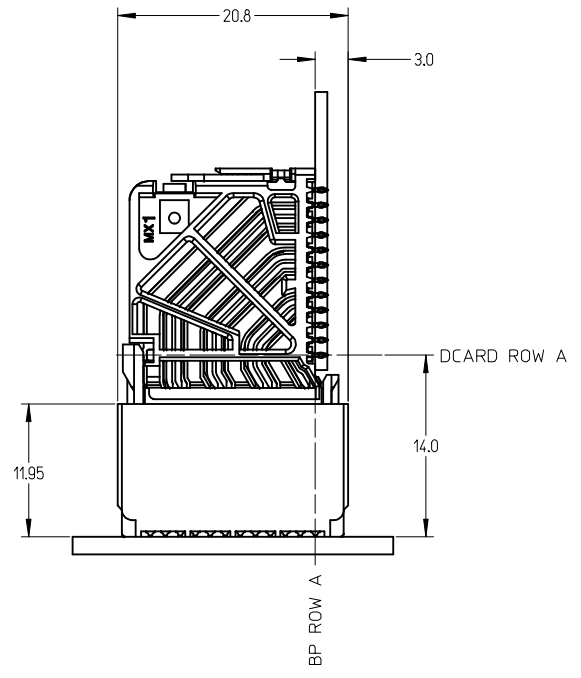
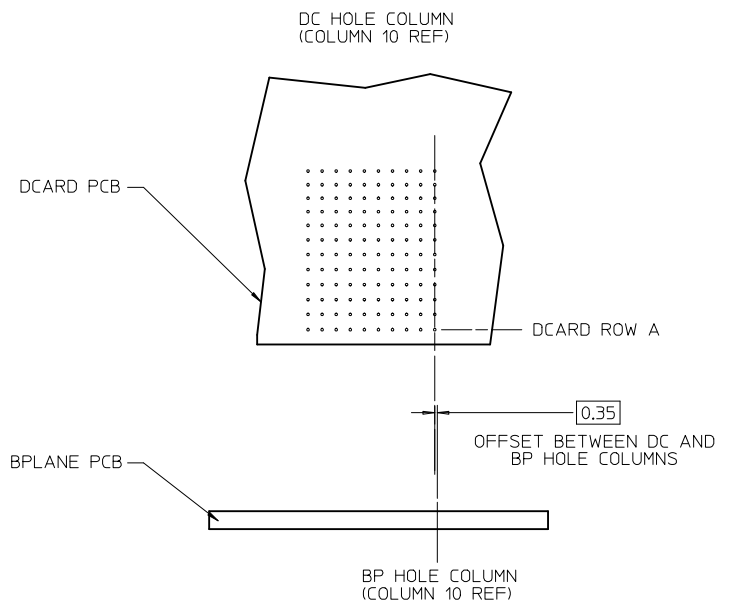
GUIDE RIGHT OPEN END



INITIAL RELEASE EC NO: UCP2013-0902 DRWINDYARVARA 2012/09/06 CHKD: APPR: JB INGHAM 2012/09/24 REV: A	QUALITY SYMBOLS ▽=0 ▽=0	GENERAL TOLERANCES (UNLESS SPECIFIED) <table border="1"> <thead> <tr> <th></th> <th>mm</th> <th>INCH</th> </tr> </thead> <tbody> <tr> <td>4 PLACES</td> <td>± ---</td> <td>± ---</td> </tr> <tr> <td>3 PLACES</td> <td>± ---</td> <td>± ---</td> </tr> <tr> <td>2 PLACES</td> <td>± 0.13</td> <td>± ---</td> </tr> <tr> <td>1 PLACE</td> <td>± 0.25</td> <td>± ---</td> </tr> </tbody> </table> ANGULAR ±1/2°		mm	INCH	4 PLACES	± ---	± ---	3 PLACES	± ---	± ---	2 PLACES	± 0.13	± ---	1 PLACE	± 0.25	± ---	DIMENSION STYLE MM ONLY DRAWN BY: JMENDOZA DATE: 2010/05/10 CHECKED BY: JB INGHAM DATE: 2010/05/10 APPROVED BY: JB INGHAM DATE: 2012/09/24	SCALE: 4:1 DESIGN UNITS: METRIC THIRD ANGLE PROJECTION	TITLE: IMPACT ORTHO ROUTABLE 4 PAIR HEADER ASSEMBLY RIGHT GUIDE SALES DWG MOLEX INCORPORATED DOCUMENT NO. SD-76849-0003 SHEET NO. 2 OF 3
		mm	INCH																	
	4 PLACES	± ---	± ---																	
	3 PLACES	± ---	± ---																	
2 PLACES	± 0.13	± ---																		
1 PLACE	± 0.25	± ---																		
DRAFT WHERE APPLICABLE MUST REMAIN WITHIN DIMENSIONS	MATERIAL NO. SEE CHART SIZE C THIS DRAWING CONTAINS INFORMATION THAT IS PROPRIETARY TO MOLEX INCORPORATED AND SHOULD NOT BE USED WITHOUT WRITTEN PERMISSION																			



IMPACT ORTHO 4 PAIR
BOARD RELATIONSHIPS



INITIAL RELEASE EC NO: UCP2013-0902 DRAWN: DVARVARA 2012/09/06 CHKD: JB INGHAM APPR: JB INGHAM 2012/09/24	DESCRIPTION REV A	QUALITY SYMBOLS	GENERAL TOLERANCES (UNLESS SPECIFIED)	DIMENSION STYLE	SCALE	DESIGN UNITS	THIRD ANGLE PROJECTION		
		$\nabla=0$ $\nabla=0$	mm INCH 4 PLACES ± --- ± --- 3 PLACES ± --- ± --- 2 PLACES ± 0.13 ± --- 1 PLACE ± 0.25 ± --- ANGULAR ± 1/2°	MM ONLY	3:1	METRIC	DRAWN BY DATE JMENDOZA 2010/05/10 CHECKED BY DATE JB INGHAM 2010/05/10 APPROVED BY DATE JB INGHAM 2012/09/24 MATERIAL NO.	TITLE IMPACT ORTHO ROUTABLE 4 PAIR HEADER ASSEMBLY RIGHT GUIDE SALES DWG MOLEX INCORPORATED DOCUMENT NO. SD-76849-0003	SHEET NO. 3 OF 3
		DRAFT WHERE APPLICABLE MUST REMAIN WITHIN DIMENSIONS	SEE CHART	THIS DRAWING CONTAINS INFORMATION THAT IS PROPRIETARY TO MOLEX INCORPORATED AND SHOULD NOT BE USED WITHOUT WRITTEN PERMISSION					