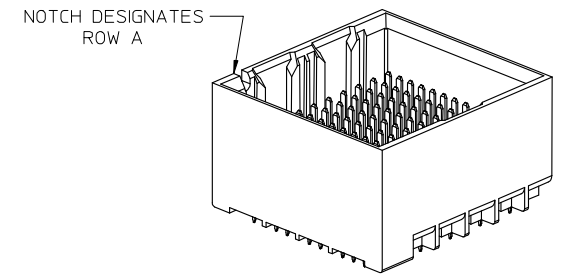


KEEP-OUT ZONE

UNGUIDED BACKPLANE HOLE PATTERN (CONNECTOR SIDE) SEE NOTE 9

SEE PART NUMBER CHART AND PART NUMBER LOGIC (12 HOLES PER COLUMN)

$\varnothing 0.10$



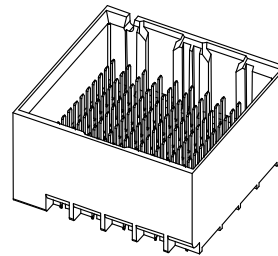
NOTES:

1. MATERIALS: HOUSING - LIQUID CRYSTAL POLYMER (LCP) GLASS-FILLED, UL94V-0
TERMINALS - HIGH PERFORMANCE COPPER ALLOY
2. FINISH: 30μ MIN GOLD IN CONTACT AREA.
SELECTIVE TIN ON PCB TAILS,
NICKEL OVERALL.
3. REFER TO MOLEX PRODUCT SPECIFICATION PS-76060-999 FOR PERFORMANCE SPECIFICATIONS AND ADDITIONAL PCB INFORMATION.
4. THIS PART CONFORMS TO CLASS B REQUIREMENTS OF MOLEX COSMETIC SPEC PS-45499-002.
5. PARTS PACKAGED PER PK-70873-7701.
6. SEE SHEETS 2 & 3 FOR PART NUMBERS AND BOARD RELATIONSHIPS.
7. MATES WITH IMPACT DC SERIES NO. 76160.
8. REFER TO MOLEX PCB ROUTING GUIDE AS-76060-990 FOR ANTIPAD AND ROUTING RECOMMENDATIONS.
9. *THESE DIMENSIONS REPRESENT THE AREA NEEDED TO ACCOMMODATE CONNECTOR INSERTION AND REPAIR ON THE PC BOARD. THIS IS REFERRED TO AS THE "CONNECTOR KEEP OUT ZONE" AND DOES NOT REPRESENT THE ACTUAL PERIMETER OF THE CONNECTOR. WHEN LAYING OUT A PC BOARD FOR CONNECTORS STACKED TOGETHER, USE A 1.9mm PROGRESSION.*

CONVERT TO LEAD-FREE EC NO: UCP2013-2078 DRWN: TIBARRA 2012/11/26 CHKD: BINGHAM 2012/12/18 APPR: MILLER 2012/12/31	QUALITY SYMBOLS ▽=0 ▽=0 ▽=0	GENERAL TOLERANCES (UNLESS SPECIFIED)		DIMENSION STYLE MM ONLY		SCALE 4:1	DESIGN UNITS METRIC	THIRD ANGLE PROJECTION	
		4 PLACES ± --- ± ---	mm	INCH	DRAWN BY MSANDBERG	DATE 2007/19/07	TITLE IMPACT 4 PAIR HEADER UNGUIDED ASSEMBLY SALES DRAWING molex	DOCUMENT NO. SD-76155-001	SHEET NO. 1 OF 3
		3 PLACES ± --- ± ---			CHECKED BY JLAURX	DATE 2007/19/07			
		2 PLACES ± 0.13 ± ---			APPROVED BY JLAURX	DATE 2010/11/15			
1 PLACE ± 0.25 ± ---									
0 PLACE ± ±			ANGULAR ±1/2°		MATERIAL NO.				
DRAFT WHERE APPLICABLE MUST REMAIN WITHIN DIMENSIONS		SIZE C		SEE TABLE		THIS DRAWING CONTAINS INFORMATION THAT IS PROPRIETARY TO MOLEX INCORPORATED AND SHOULD NOT BE USED WITHOUT WRITTEN PERMISSION			

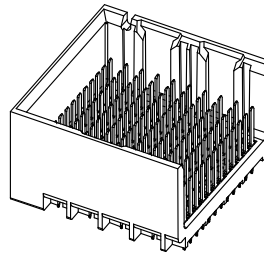
PART NUMBER TABLE

MATERIAL NUMBER	# OF COLUMNS	# OF DIFF PAIR	DIM "A"	DIM "B"	DUAL END WALL OPTION
76155-*32*	6	24	14.1	9.50	
76155-*82*	8	32	17.9	13.30	
76155-*12*	10	40	21.7	17.10	
76155-*62*	16	64	33.1	28.50	



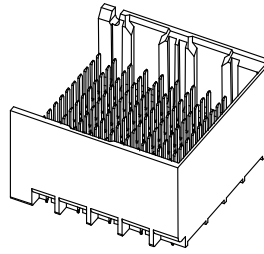
DUAL END
WALL OPTION

MATERIAL NUMBER	# OF COLUMNS	# OF DIFF PAIR	DIM "A"	DIM "B"	LEFT END WALL OPTION
76155-*31*	6	24	12.7	9.50	
76155-*81*	8	32	16.5	13.30	
76155-*11*	10	40	20.3	17.10	
76155-*61*	16	64	31.7	28.50	



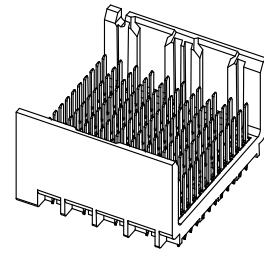
LEFT END
WALL OPTION

MATERIAL NUMBER	# OF COLUMNS	# OF DIFF PAIR	DIM "A"	DIM "B"	RIGHT END WALL OPTION
76155-*33*	6	24	12.7	9.50	
76155-*83*	8	32	16.5	13.30	
76155-*13*	10	40	20.3	17.10	
76155-*63*	16	64	31.7	28.50	



RIGHT END
WALL OPTION

MATERIAL NUMBER	# OF COLUMNS	# OF DIFF PAIR	DIM "A"	DIM "B"	OPEN WALL OPTION
76155-*30*	6	24	11.3	9.50	
76155-*80*	8	32	15.1	13.30	
76155-*10*	10	40	18.9	17.10	
76155-*60*	16	64	30.4	28.50	



OPEN
WALL OPTION

PART NUMBER LOGIC

76155-****

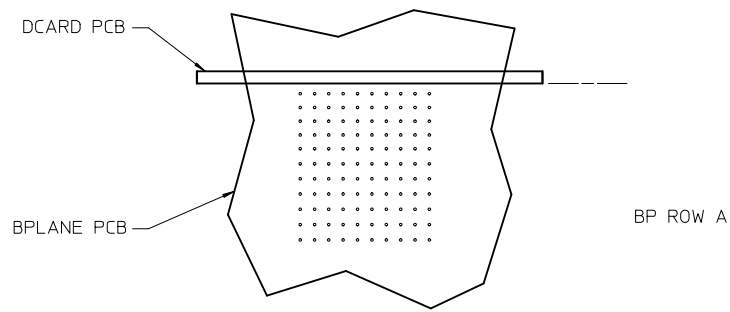
MODULE TYPE
1 = UNGUIDED, TIN

OF COLUMNS
1 = 10 COL
3 = 6 COL
6 = 16 COL
8 = 8 COL

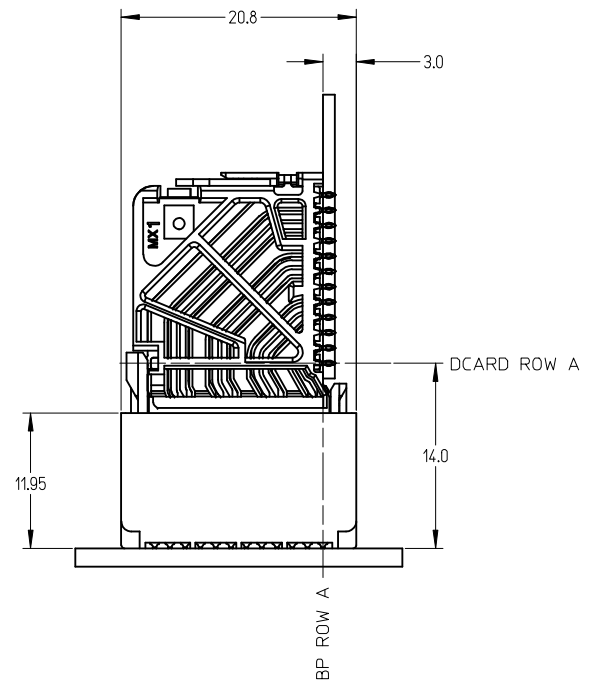
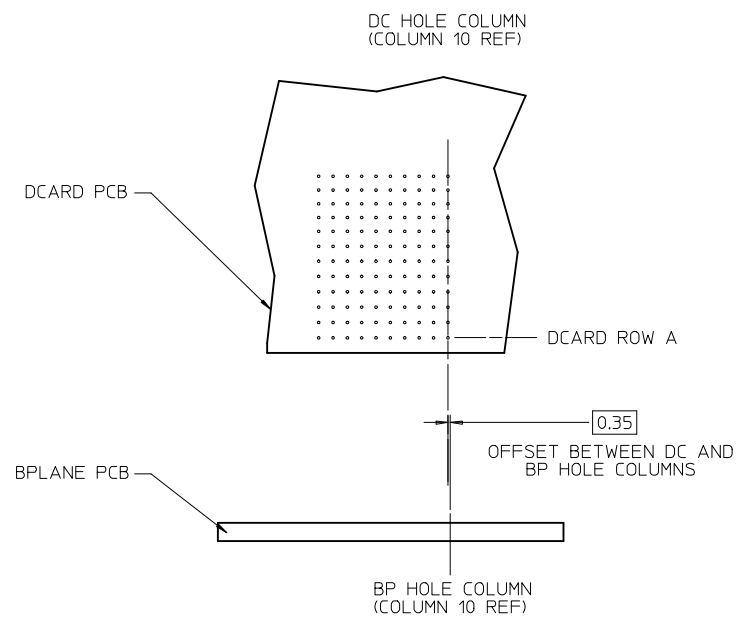
PIN LENGTH (P)
3 = 4.50 (SHORT COMPLIANT, 0.46±0.05 PTH)
4 = 4.90 (SHORT COMPLIANT, 0.46±0.05 PTH)
5 = 5.50 (SHORT COMPLIANT, 0.46±0.05 PTH)
6 = 4.50 (MICRO COMPLIANT, 0.39±0.05 PTH)
7 = 4.90 (MICRO COMPLIANT, 0.39±0.05 PTH)
8 = 5.50 (MICRO COMPLIANT, 0.39±0.05 PTH)

END WALL OPTIONS
0 = OPEN ENDS
1 = LEFT END WALL
2 = DUAL END WALL
3 = RIGHT END WALL

SEE SHEET 1 EC NO: UCP2013-2078 DRWNT: TIBARRA 2012/11/26 CHKD: JB INGHAM 2012/12/18 APPR: SMILLER 2012/12/31	QUALITY SYMBOLS	GENERAL TOLERANCES (UNLESS SPECIFIED)	DIMENSION STYLE MM ONLY	SCALE 2.5:1	DESIGN UNITS METRIC	THIRD ANGLE PROJECTION	
	▽=0	mm INCH	DRAWN BY DATE MSANDBERG 2007/19/07	TITLE IMPACT 4 PAIR HEADER UNGUIDED ASSEMBLY SALES DRAWING	molex SD-76155-001	SHEET NO. 2 OF 3	
	▽=0	4 PLACES ± --- ± --- 3 PLACES ± --- ± --- 2 PLACES ± 0.13 ± --- 1 PLACE ± 0.25 ± --- 0 PLACE ± ±	CHECKED BY DATE JLAURX 2007/19/07				
	▽=0	ANGULAR ±1/2°	APPROVED BY DATE JLAURX 2010/11/15				
	DRAFT WHERE APPLICABLE MUST REMAIN WITHIN DIMENSIONS	MATERIAL NO. SEE TABLE					
H	REV		SIZE C	DOCUMENT NO. SD-76155-001			
THIS DRAWING CONTAINS INFORMATION THAT IS PROPRIETARY TO MOLEX INCORPORATED AND SHOULD NOT BE USED WITHOUT WRITTEN PERMISSION							



IMPACT 4 PAIR
BOARD RELATIONSHIPS



SEE SHEET 1 EC NO: UCP2013-2078 DRWNT: IBARRA 2012/11/26 CHKD: JBINGHAM 2012/12/18 APPR: SMILLER 2012/12/31	QUALITY SYMBOLS	GENERAL TOLERANCES (UNLESS SPECIFIED)	DIMENSION STYLE	SCALE	DESIGN UNITS	THIRD ANGLE PROJECTION
	▽=0	mm INCH	MM ONLY	3:1	METRIC	
	▽=0	4 PLACES ± --- ± ---	DRAWN BY DATE	TITLE IMPACT 4 PAIR HEADER UNGUIDED ASSEMBLY SALES DRAWING molex DOCUMENT NO. SD-76155-001 SHEET NO. 3 OF 3		
	▽=0	3 PLACES ± --- ± ---	CHECKED BY DATE			
▽=0	2 PLACES ± 0.13 ± ---	APPROVED BY DATE				
	1 PLACE ± 0.25 ± ---	JLAURX 2010/11/15				
	0 PLACE ± ±	ANGULAR ±1/2°	MATERIAL NO.			
		DRAFT WHERE APPLICABLE MUST REMAIN WITHIN DIMENSIONS	SEE TABLE			
			SIZE C	THIS DRAWING CONTAINS INFORMATION THAT IS PROPRIETARY TO MOLEX INCORPORATED AND SHOULD NOT BE USED WITHOUT WRITTEN PERMISSION		