

PRODUCT NUMBER
75915-YXXXLF

ROHS COMPATIBLE, SEE NOTE 6

OPTIONAL LETTER.

G: HIGH TEMPERATURE BLACK PRODUCT.

H: HIGH TEMPERATURE GREY PRODUCT.

NUMBER OF POSITIONS: 02 TO 50.

PLATING CODE

3 = 0.76µm GOLD ON CONTACT AREA.

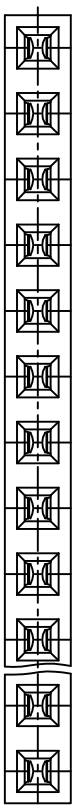
2µm MIN MATTE TIN ON TAIL.

4 = 2µm MIN MATTE TIN FULL PLATED

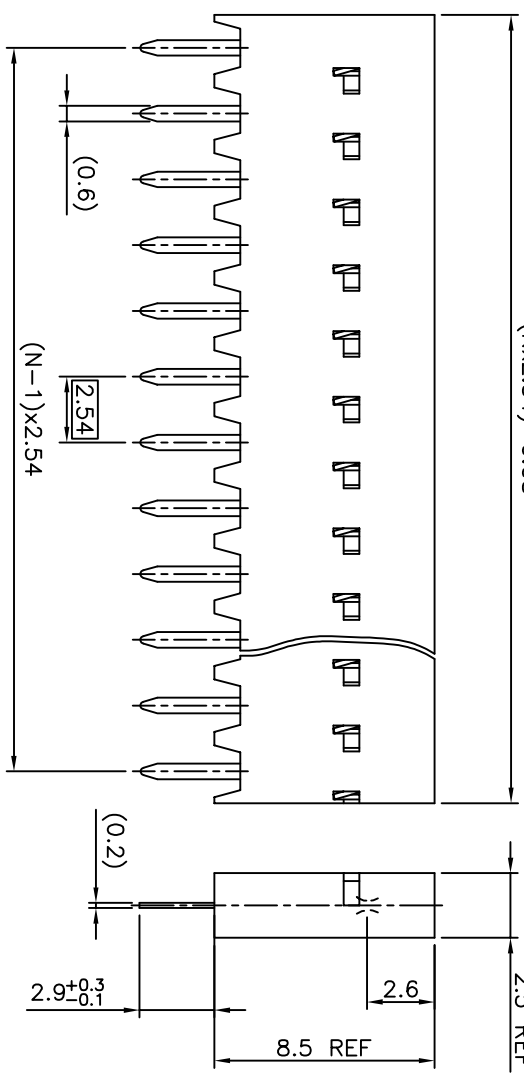
8 = 0.38µm GOLD ON CONTACT AREA.

2µm MIN MATTE TIN ON TAIL.

1.27µm Ni MIN UNDERPLATING



(N x 2.54) - 0.08

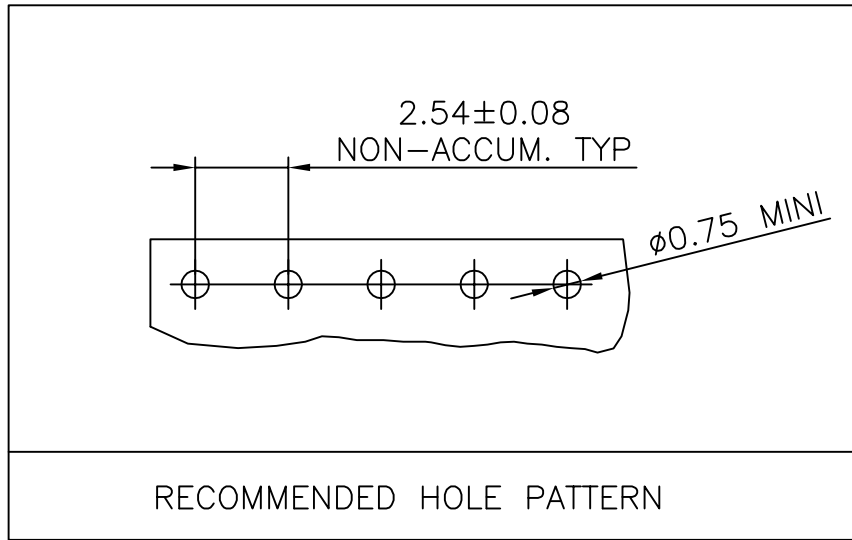


NOTES:

- 1 - HOUSING MAT'L: THERMOPLASTIC GLASS FILLED FLAME RETARDANT PER UL 94 V-0. LOW TEMPERATURE: COLOR BLUE. HIGH TEMPERATURE: COLOR GREY OR BLACK.
- 2 - TERMINAL MATERIAL: PHOSPHOR BRONZE.
- 3 - 2 UP TO 4 POSITIONS PRODUCT PACKED IN PLASTIC BOX.
- 5 UP TO 50 POSITIONS PRODUCT PACKED IN TUBE.
- 4 - TO DETERMINE DIMENSIONS:
N = NUMBER OF POSITIONS
EXAMPLE: 8 POS: (N x 2.54) - 0.08 = 20.24 mm
- 5 - HE13 PRINTING ON 75915-3xx PRODUCT.
- 6 - ROHS COMPATIBLE PRODUCT SPECIFICATIONS
- d - PLATING:
 - "LF" MEANS THE PRODUCT IS LEAD-FREE, 2µm MINIMUM MATTE TIN OVER 1.27µm MINIMUM NICKEL UNDERPLATE.
- b - MANUFACTURING PROCESS COMPATIBILITY
 - THE HOUSING WILL WITHSTAND EXPOSURE TO 260°C ±5°C SOLDER BATH TEMPERATURE FOR 5 SECONDS IN A WAVE SOLDER APPLICATION WITH A 1.6mm MIN THICK CIRCUIT BOARD.
- c - LABELING:
 - MEETS PACKAGING SPECS AS PER GS-14-920
- d - LEGAL STATEMENT: SEE GS-47-0004
- 7 - PRINTING & HOLE PATTERN SEE NEXT SHEET.

| mat'l. code | surface | tolerance | projection | product family |
|--------------------------|---------------------------------------|------------------|------------|----------------|
| SEE NOTE 1 | ISO 1302 | ISO 406 ISO 1101 | mm | DUBOX |
| ltr ecn no dr date | tolerances unless otherwise specified | 40.3 | mm | title |
| AD F06-0204 DLE 06.06.20 | linear | | mm | B1B RECEPT. |
| AE F07-0109 DLE 07.01.16 | linear | | mm | VERT SR TMT |
| AF F09-0036 LMU 09.03.16 | #2 | | mm | dwg no |
| AG B-19123 LMU 14.10.21 | D.LEGRAND | 96.04.01 | mm | 75915 |
| | P.NIZZI | 96.04.01 | mm | sheet 1 of 2 |
| AB F05-0230 DLE 05.08.08 | D.LEGRAND | 96.04.01 | mm | size |
| AC F06-0150 DLE 06.03.17 | P.NIZZI | 96.04.01 | mm | A3 |
| sheet revision AG D | | | mm | Drwing |
| index sheet 1 2 | | | mm | |





| | | | | | | | | | | | | | | | | | |
|----------------------------|----------|----------------|----------|---------------------------------------|--------|-------------------------------|--|------------------|--|-------------------------------------|--|------------------|--|--|--|-----------|--|
| mat'l. code SEE SHEET 1 | | | | surface ISO 1302 ✓ | | tolerance ISO 406 ISO 1101 | | projection mm | | product family DUBOX | | | | | | | |
| ltr | ecn no | dr | date | tolerances unless otherwise specified | | | | mm | | title BtB RECEPT. VERT SR TMT | | | | | | | |
| A | F04-0347 | DLE | 04.09.23 | angles | linear | ±0.3 | | | | | | | | | | scale N/A | |
| B | F05-0230 | DLE | 05.08.08 | | | ±2' | | FCI | | | | | | | | dwg no | |
| C | F06-0204 | DLE | 06.06.20 | dr | | D.LEGRAND | | 04.09.23 | | | | | | | | 75915 | |
| D | F07-0109 | DLE | 07.01.16 | enr | | P.NIZZI | | 04.09.23 | | type | | CUSTOMER Drawing | | | | | |
| sheet index | | revision sheet | | | | | | | | | | | | | | | |