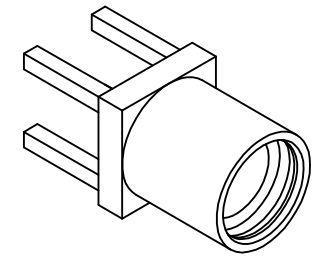
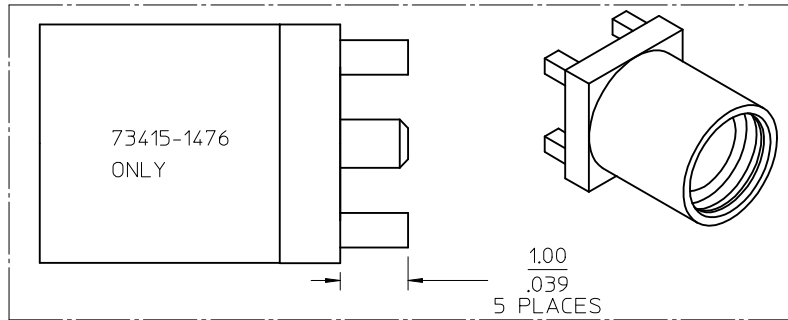


MATERIALS AND FINISHES

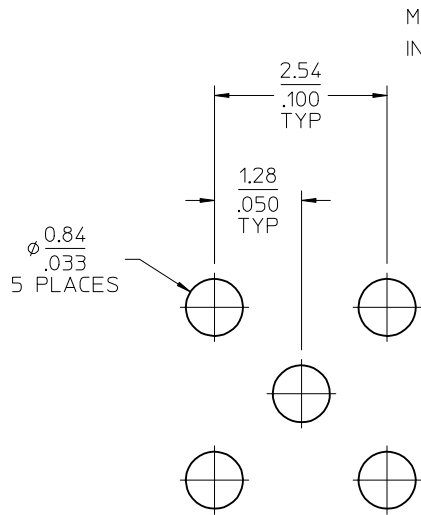
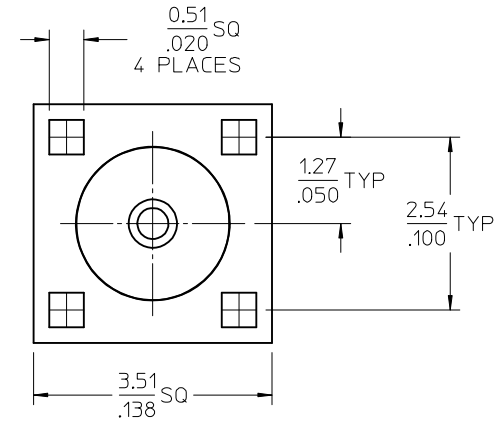
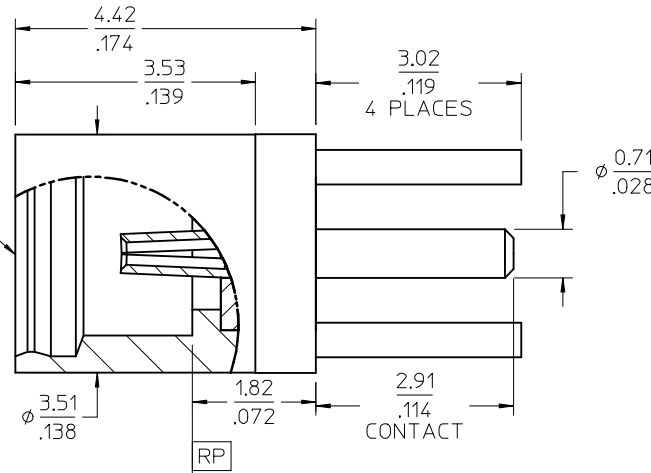
BODY SEE TABLE
PLATED SEE TABLE

CENTER CONTACT BERYLLIUM COPPER
PLATED GOLD

INSULATOR TEFLON



NOTE
PART # 73415-1473 IS
(NON-MAGNETIC)



SUGGESTED PCB LAYOUT

73415-1477	TRAY	BRASS/GOLD(PER COMMERCIAL REQUIREMENT)
73415-1476	TRAY (1.00 MM LEG LENGTHS)	BRASS/GOLD(PER COMMERCIAL REQUIREMENT)
73415-1475	P/N 73415-1471 WITH TAPE AND REEL	BRASS/GOLD(PER COMMERCIAL REQUIREMENT)
73415-1474	TRAY	BRASS/GOLD(PER COMMERCIAL REQUIREMENT)
73415-1473	BULK	BeCu/GOLD (NON MAGNETIC)
73415-1472	P/N 73415-1471, ONE PER BAG	BRASS/GOLD(PER COMMERCIAL REQUIREMENT)
73415-1471	BULK	BRASS/GOLD(PER COMMERCIAL REQUIREMENT)
73415-1470	BULK	BRASS/GOLD(PER MILITARY REQUIREMENT)
CECC 22 340	INTERFACE	
PS-89675-1920	ELECTRO/MECH PER.	
SPECIFICATION	DESCRIPTION	
	PART NO.	PACKAGING
		MATERIAL/PLATING

CHG: ADDED -1477
PDR:14121835
EC NO: URF2015-0437
DRWN:YCHENG 2015/02/10
CHKD:
APPR:YCHENG 2015/02/10

QUALITY SYMBOLS

 GENERAL TOLERANCES (UNLESS SPECIFIED)

	mm	INCH
4 PLACES	± .010	± .0004
3 PLACES	± .015	± .0006
2 PLACES	± .020	± .0008
1 PLACE	± .030	± .0012

 ANGULAR ± 2°
 DRAFT WHERE APPLICABLE
MUST REMAIN
WITHIN DIMENSIONS

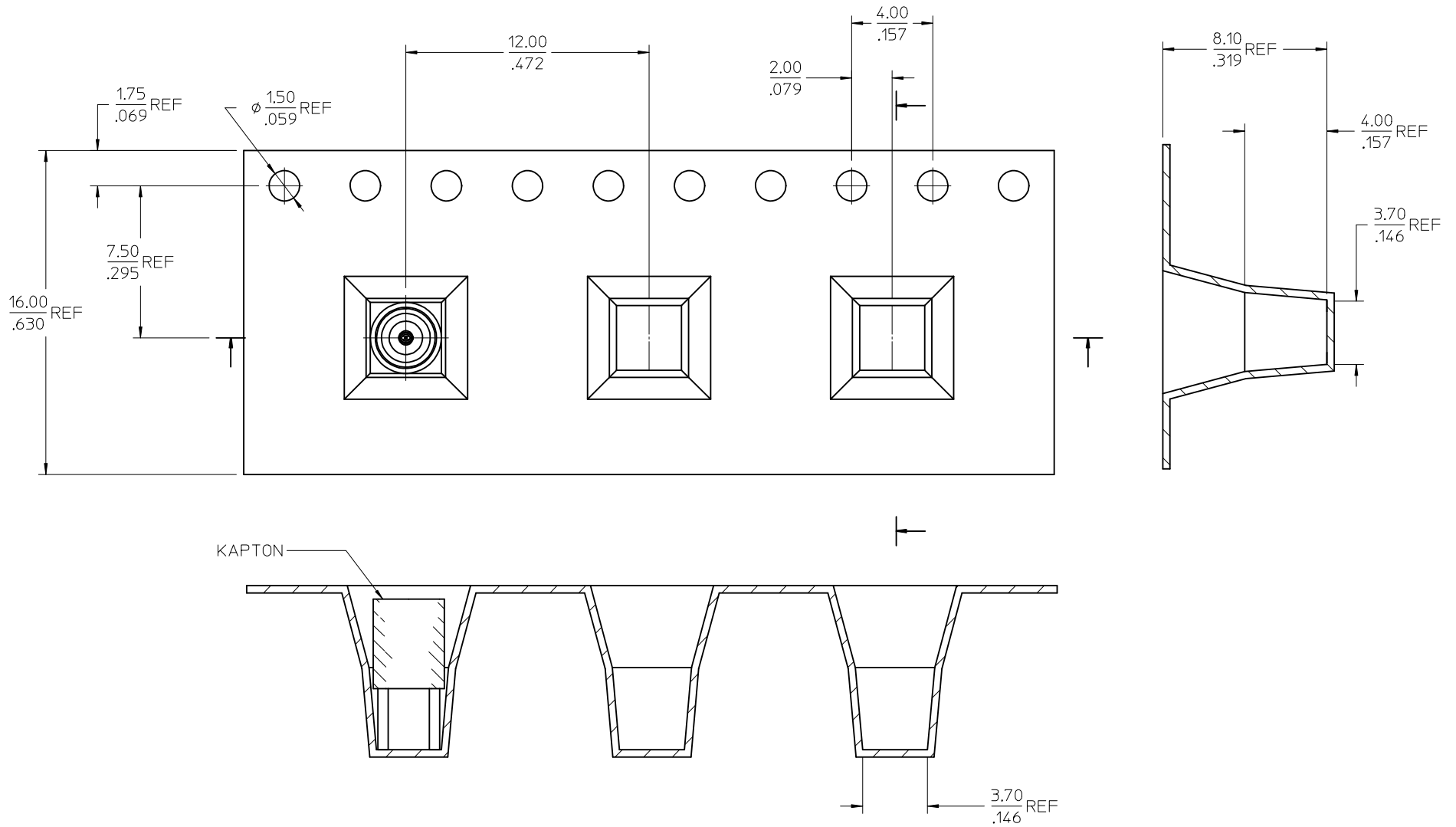
DIMENSION STYLE
MM/IN
 DRAWN BY DATE
TEF 2000/01/14
 CHECKED BY DATE
TEF 2000/01/14
 APPROVED BY DATE
GMH 2000/01/14
 MATERIAL NO.
SEE TABLE
 SIZE
C

SCALE
DESIGN UNITS
METRIC
 THIRD ANGLE PROJECTION
 TITLE
**MMCX JACK, PCB MOUNT
50 OHMS
MMCX-J/PCB**

MOLEX INCORPORATED
 DOCUMENT NO.
SD-73415-147
 SHEET NO.
1 OF 3
 THIS DRAWING CONTAINS INFORMATION THAT IS PROPRIETARY TO MOLEX.
INCORPORATED AND SHOULD NOT BE USED WITHOUT WRITTEN PERMISSION

NOTE

DIMENSIONS ARE PROVIDED FOR REFERENCE ONLY



CHG: SEE SHEET 1

EC NO: URF2015-0437

DRWN: YCHENG 2015/02/10

CHKD: YCHENG

APPR: YCHENG 2015/02/10

DESCRIPTION

QUALITY SYMBOLS

▽=0

▽=0

GENERAL TOLERANCES (UNLESS SPECIFIED)

	mm	INCH
4 PLACES	± .010	± .0004
3 PLACES	± .015	± .0006
2 PLACES	± .020	± .0008
1 PLACE	± .030	± .0012

ANGULAR ± 2 °

DRAFT WHERE APPLICABLE MUST REMAIN WITHIN DIMENSIONS

DIMENSION STYLE

MM/IN

DRAWN BY DATE

TEF 2000/01/14

CHECKED BY DATE

TEF 2000/01/14

APPROVED BY DATE

GMH 2000/01/14

MATERIAL NO.

SEE TABLE

SIZE

C

THIS DRAWING CONTAINS INFORMATION THAT IS PROPRIETARY TO MOLEX INCORPORATED AND SHOULD NOT BE USED WITHOUT WRITTEN PERMISSION

THIS DRAWING CONTAINS INFORMATION THAT IS PROPRIETARY TO MOLEX INCORPORATED AND SHOULD NOT BE USED WITHOUT WRITTEN PERMISSION

THIS DRAWING CONTAINS INFORMATION THAT IS PROPRIETARY TO MOLEX INCORPORATED AND SHOULD NOT BE USED WITHOUT WRITTEN PERMISSION

THIS DRAWING CONTAINS INFORMATION THAT IS PROPRIETARY TO MOLEX INCORPORATED AND SHOULD NOT BE USED WITHOUT WRITTEN PERMISSION

SCALE

METRIC

TITLE

MMCX JACK, PCB MOUNT

50 OHMS

MMCX-J/PCB

MOLEX INCORPORATED

DOCUMENT NO.

SD-73415-147

DESIGN UNITS

METRIC

THIRD ANGLE PROJECTION

MOLEX INCORPORATED

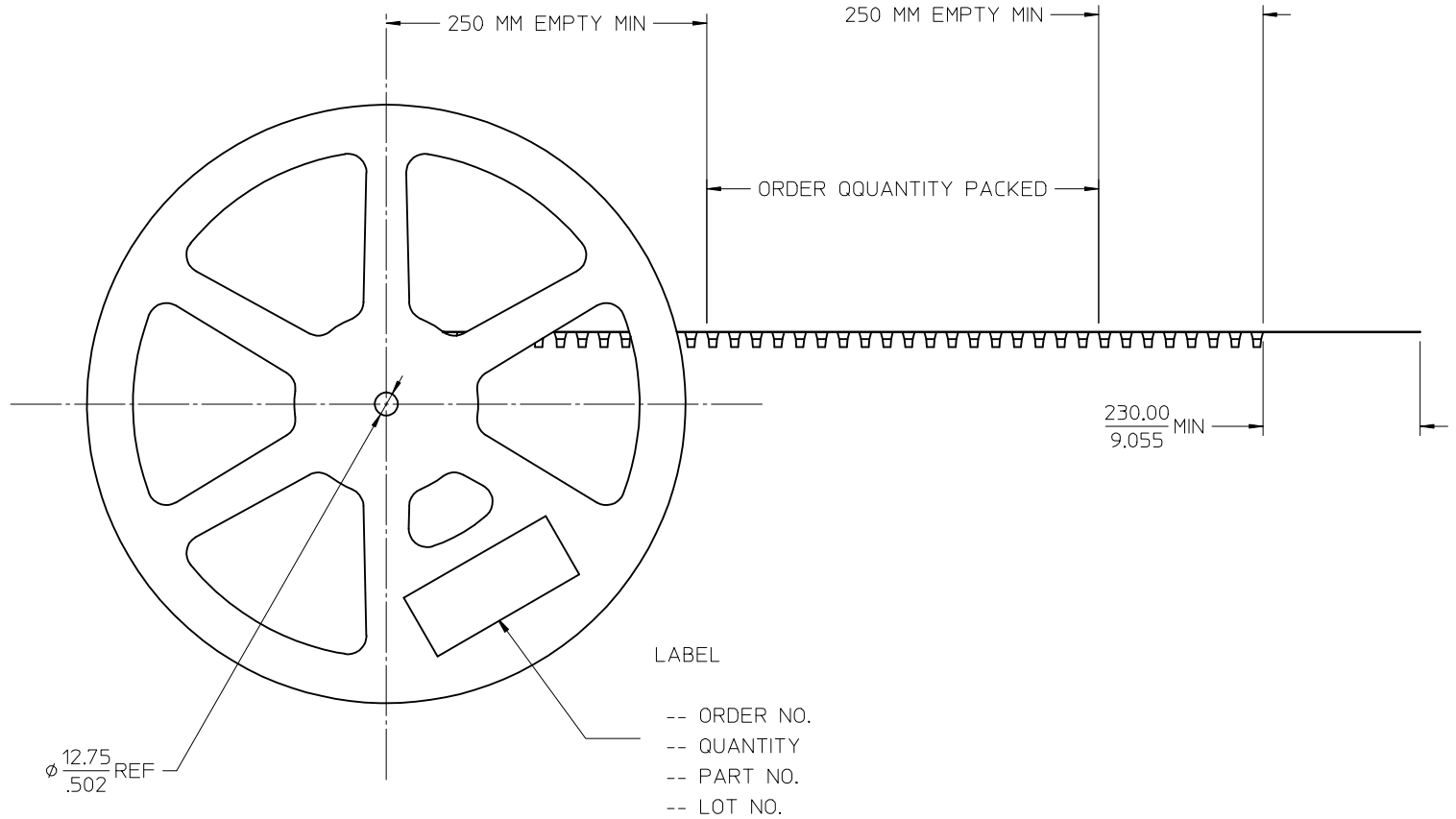
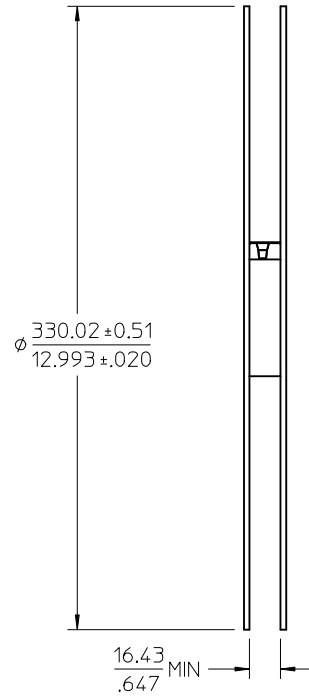
DOCUMENT NO.

SD-73415-147

SHEET NO.

2 OF 3

13" REEL SIZE



LABEL

- ORDER NO.
- QUANTITY
- PART NO.
- LOT NO.

CHG: SEE SHEET 1

EC NO: URF2015-0437
 DRWN: YCHENG 2015/02/10

CHKD:
 APPR: YCHENG 2015/02/10

REV: DESCRIPTION

QUALITY SYMBOLS

GENERAL TOLERANCES (UNLESS SPECIFIED)

	mm	INCH
4 PLACES	± .005	± .0002
3 PLACES	± .005	± .0002
2 PLACES	± .005	± .0002
1 PLACE	± .005	± .0002

ANGULAR ± 2 °

DRAFT WHERE APPLICABLE
 MUST REMAIN
 WITHIN DIMENSIONS

DIMENSION STYLE
MM/IN

DRAWN BY	DATE
TEF	2000/01/14
CHECKED BY	DATE
TEF	2000/01/14
APPROVED BY	DATE
GMH	2000/01/14

MATERIAL NO. **SEE TABLE**

SIZE **C**

SCALE
METRIC

DESIGN UNITS
METRIC

THIRD ANGLE PROJECTION

TITLE
**MMCX JACK, PCB MOUNT
 50 OHMS
 MMCX-J/PCB**

MOLEX INCORPORATED

DOCUMENT NO. **SD-73415-147**

SHEET NO.
3 OF 3

THIS DRAWING CONTAINS INFORMATION THAT IS PROPRIETARY TO MOLEX INCORPORATED AND SHOULD NOT BE USED WITHOUT WRITTEN PERMISSION