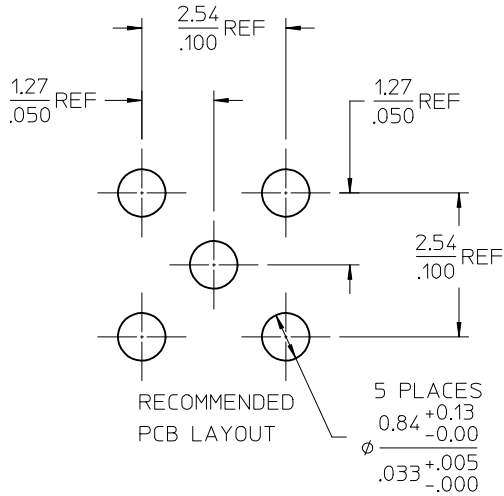
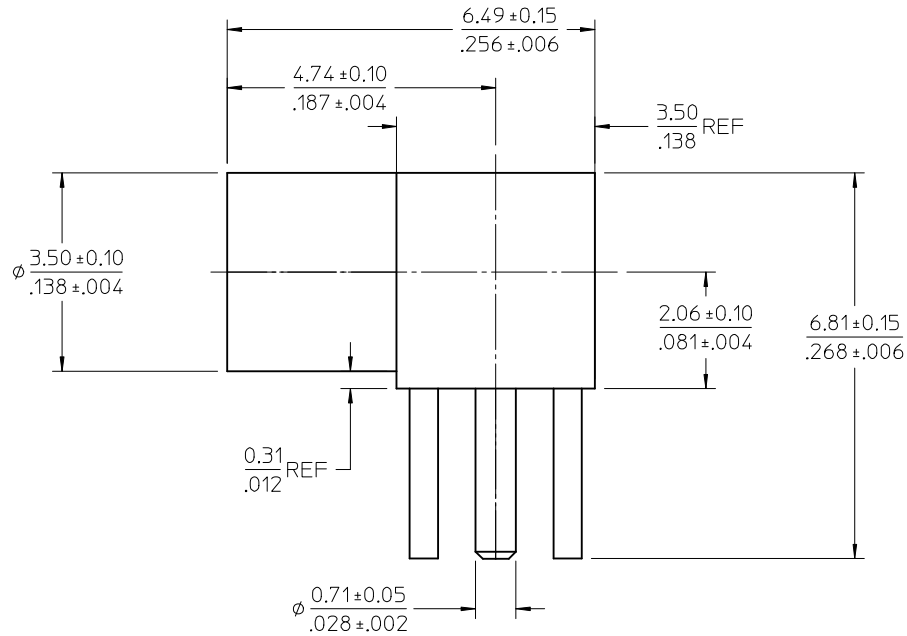
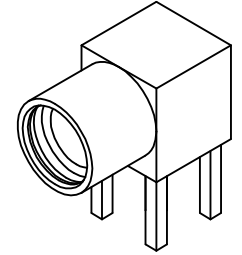


MATERIALS AND FINISHES

BODY: BRASS  
PLATED SEE TABLE

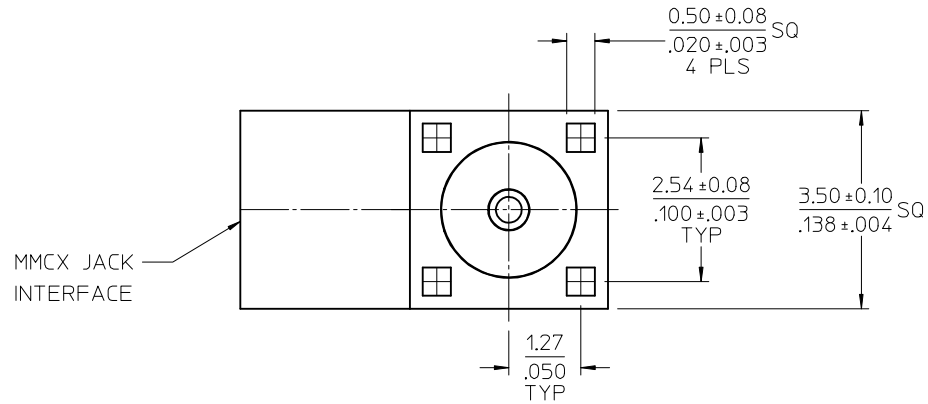
CENTER: CONTACT BERYLLIUM COPPER  
PLATED GOLD

INSULATOR: TEFLON



RECOMMENDED  
PCB LAYOUT

5 PLACES  
0.84 +0.13  
-0.00  
0.33 +0.005  
-0.000



73415-1004	GOLD (COMMERCIAL)	TAPE & REEL
73415-1003	TRI-M	TRAY
73415-1002	GOLD (COMMERCIAL)	ONE PER BAG
73415-1001	GOLD (COMMERCIAL)	TRAY
73415-1000	GOLD (MILITARY)	TRAY
PART NO.	BODY PLATING	PACKAGING

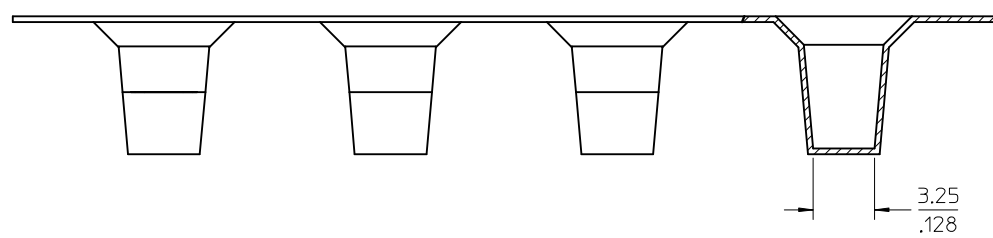
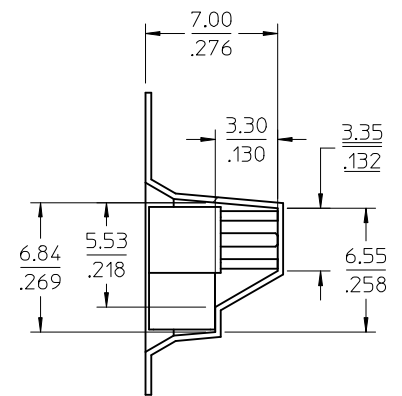
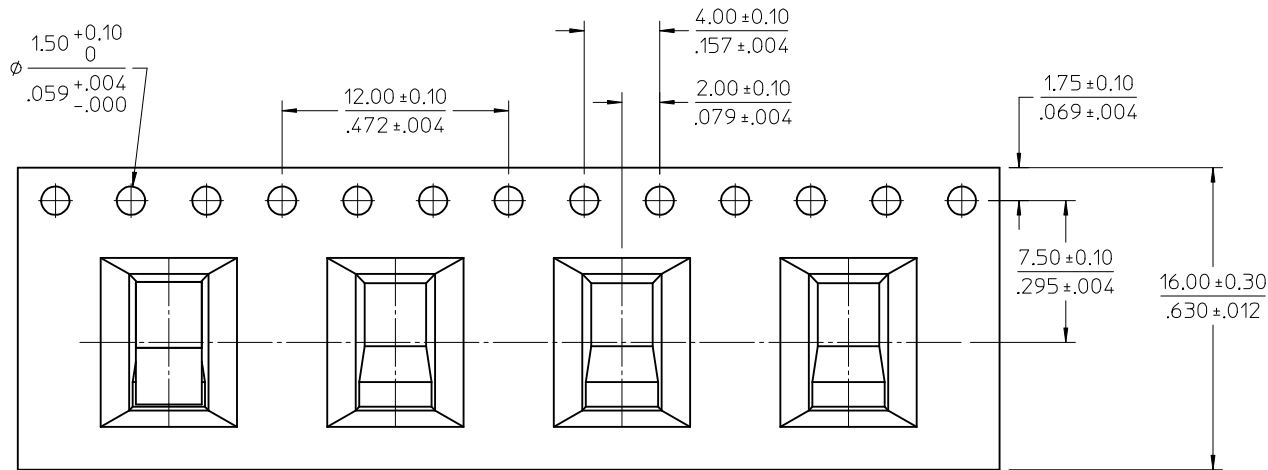
PS-89675-1920	ELECTRICAL/MECHANICAL
SPECIFICATION	DESCRIPTION

CHG: 1000/-1001/-1003 PKG TRAY WAS BULK PER RF15-E198	EC NO: URF2015-0621	DRWN: CME102	2015/05/07
CHKD:	APPR: YCHENG	2015/05/15	
REV	DESCRIPTION		
D5			

QUALITY SYMBOLS	GENERAL TOLERANCES (UNLESS SPECIFIED)
▽=0	mm INCH
▽=0	4 PLACES ± --- ± ---
▽=0	3 PLACES ± --- ± ---
	2 PLACES ± --- ± ---
	1 PLACE ± --- ± ---
	0 PLACE ± ±
	ANGULAR ± 2 °
	DRAFT WHERE APPLICABLE MUST REMAIN WITHIN DIMENSIONS

DIMENSION STYLE	SCALE
MM/IN	
DRAWN BY	DATE
JM	2005/07/22
CHECKED BY	DATE
JM	2005/07/22
APPROVED BY	DATE
JDW	2005/07/22
MATERIAL NO.	DOCUMENT NO.
SEE TABLE	SD-73415-100

DESIGN UNITS	THIRD ANGLE PROJECTION
METRIC	
MMCX JACK, R/A, PCB	
50 OHMS	
MMCX-J/PCB EWR-2734	
<b>molex</b>	
SHEET NO.	1 OF 3

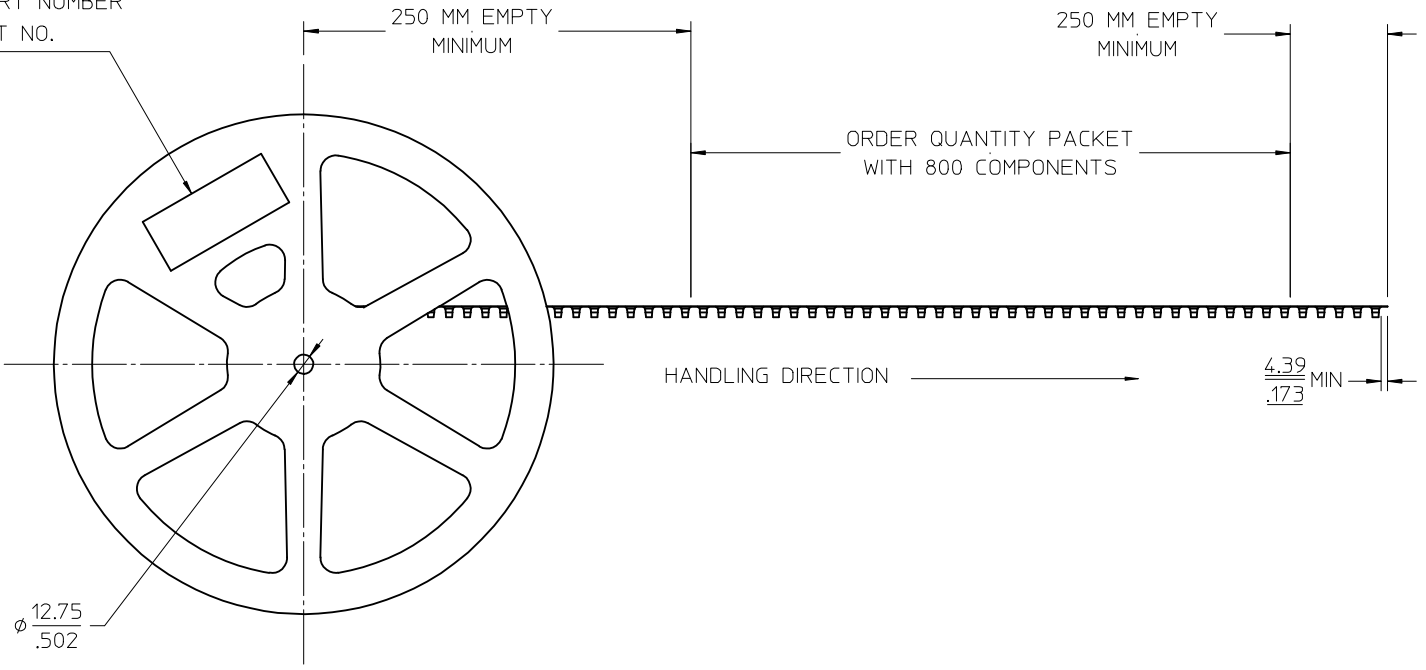
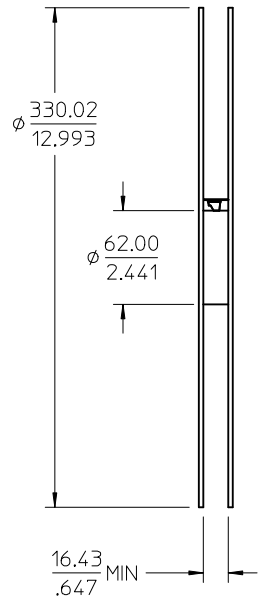


PACKING DESCRIPTION :

1. MATERIAL : PS BLACK-THICKNESS : 0.40±0.05 MM

SEE SHEET 1 IEC NO: URF2015-0621 DRAWN: CWE102 2015/05/07 CHKD: APPR: YCHENG 2015/05/15 REV: D5	QUALITY SYMBOLS 	GENERAL TOLERANCES (UNLESS SPECIFIED) <table border="1"> <thead> <tr> <th></th> <th>mm</th> <th>INCH</th> </tr> </thead> <tbody> <tr> <td>4 PLACES</td> <td>± ---</td> <td>± ---</td> </tr> <tr> <td>3 PLACES</td> <td>± ---</td> <td>± ---</td> </tr> <tr> <td>2 PLACES</td> <td>± ---</td> <td>± ---</td> </tr> <tr> <td>1 PLACE</td> <td>± ---</td> <td>± ---</td> </tr> <tr> <td>0 PLACE</td> <td>±</td> <td>±</td> </tr> </tbody> </table>		mm	INCH	4 PLACES	± ---	± ---	3 PLACES	± ---	± ---	2 PLACES	± ---	± ---	1 PLACE	± ---	± ---	0 PLACE	±	±	DIMENSION STYLE <b>MM/IN</b>	SCALE DESIGN UNITS <b>METRIC</b>	THIRD ANGLE PROJECTION 
		mm	INCH																				
	4 PLACES	± ---	± ---																				
	3 PLACES	± ---	± ---																				
2 PLACES	± ---	± ---																					
1 PLACE	± ---	± ---																					
0 PLACE	±	±																					
		DRAFT WHERE APPLICABLE MUST REMAIN WITHIN DIMENSIONS	DRAWN BY JM CHECKED BY JM APPROVED BY JDW	DATE 2005/07/22 DATE 2005/07/22 DATE 2005/07/22	TITLE <b>MMCX JACK, R/A, PCB          50 OHMS          MMCX-J/PCB EWR-2734</b>																		
			MATERIAL NO. <b>SEE SHEET 1</b>	DOCUMENT NO. <b>SD-73415-100</b>	SHEET NO. <b>2 OF 3</b>																		
			SIZE 	THIS DRAWING CONTAINS INFORMATION THAT IS PROPRIETARY TO MOLEX INCORPORATED AND SHOULD NOT BE USED WITHOUT WRITTEN PERMISSION																			

LABEL:  
 -ORDER NO.  
 -QUANTITY  
 -PART NUMBER  
 -LOT NO.



PACKING DESCRIPTION :  
 1. COMPONENT LOAD PER 13" REEL : 800 PCS  
 2. DIMENSION ARE PROVIDED FOR REFERENCE ONLY

SEE SHEET 1  
 EC NO: URF2015-0621  
 DRWN:WE102 2015/05/07  
 CHKD:  
 APPR:YCHENG 2015/05/15

REV	DESCRIPTION
D5	

QUALITY SYMBOLS	GENERAL TOLERANCES (UNLESS SPECIFIED)	
	mm	INCH
$\nabla = 0$	4 PLACES ± .005	± .005
$\nabla = 0$	3 PLACES ± .005	± .005
$\nabla = 0$	2 PLACES ± .005	± .005
	1 PLACE ± .005	± .005
	0 PLACE ±	±
	ANGULAR ± 2°	
	DRAFT WHERE APPLICABLE MUST REMAIN WITHIN DIMENSIONS	

DIMENSION STYLE	
MM/IN	
DRAWN BY	DATE
JM	2005/07/22
CHECKED BY	DATE
JM	2005/07/22
APPROVED BY	DATE
JDW	2005/07/22
MATERIAL NO.	
SEE SHEET 1	
SIZE	
C	

SCALE	DESIGN UNITS	THIRD ANGLE PROJECTION
	METRIC	
TITLE		
MMCX JACK, R/A, PCB		
50 OHMS		
MMCX-J/PCB EWR-2734		
<b>molex</b>		
DOCUMENT NO.	SHEET NO.	
SD-73415-100	3 OF 3	
THIS DRAWING CONTAINS INFORMATION THAT IS PROPRIETARY TO MOLEX INCORPORATED AND SHOULD NOT BE USED WITHOUT WRITTEN PERMISSION		