

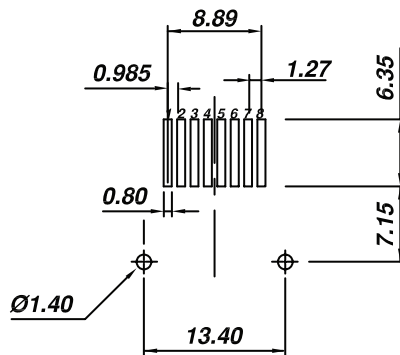
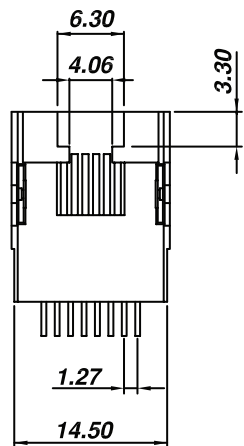
1

2

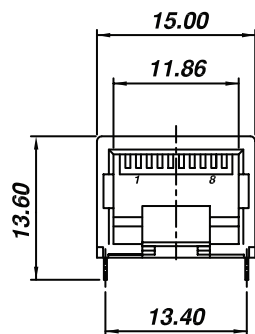
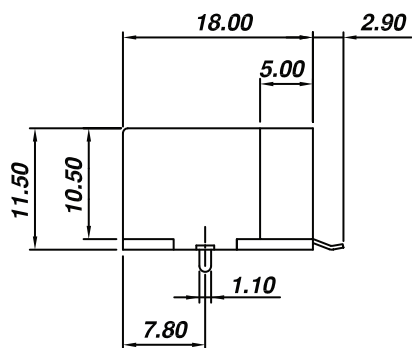
3

4

5



PCB LAYOUT - COMPONENT VIEW



TECHNICAL CHARACTERISTICS

MATERIAL
 INSULATOR: - HOUSING: PA 9T
 - INSERT HOUSING: PA 46
 FLAMABILITY RATING: UL94-V0
 COLOR: BLACK
 CONTACT MATERIAL: COPPER ALLOY
 CONTACT TYPE: STAMPED
 CONTACT PLATING: SELECTIVE GOLD
 QUALITY CLASS: 1500 MATING CYLCES

ENVIRONMENTAL
 OPERATING TEMPERATURE: -40°C UP TO +85°C
 COMPLIANCE: LEAD FREE AND ROHS

ELECTRICAL
 CURRENT RATING: 1.5A
 WORKING VOLTAGE: 120V AC
 INSULATION RESISTANCE: >500MΩ
 WITHSTANDING VOLTAGE: 1000 VAC/min
 CONTACT RESISTANCE: 20 mΩ max

STANDARD
 CERTIFIED: E324776

SOLDERING
 JEDEC LEAD FREE REFLOW SOLDERING PROCESS

PACKAGING
 TAPE & REEL

RoHS Compliant

PROJECTION:



GENERAL TOLERANCE

.X = +/- 0.3
 .XX = +/- 0.25



APPROVAL: RJ

UNIT: MM

SCALE:

SHEET: 1/1

DRAW: AS

DESCRIPTION: HORIZONTAL PLASTIC LOW PROFILE SMT 10P8C
 TAB DOWN

WERI PART NO: 634 108 149 921

SIZE

A4

G				APPROVAL: RJ UNIT: MM SCALE: SHEET: 1/1 DRAW: AS	DESCRIPTION: HORIZONTAL PLASTIC LOW PROFILE SMT 10P8C TAB DOWN WERI PART NO: 634 108 149 921	SIZE A4
F						
E						
D						
C						
B						
A	25-JUL-14	PDF	AS			
REV	DATE	FILE	BY			

1

2

3

4

5

Cautions and Warnings:

This electronic component is designed and developed with the intention for use in general electronics equipments.

Before incorporating the components into any equipments in the field such as aerospace, aviation, nuclear control, submarine, transportation, (automotive control, train control, ship control), transportation signal, disaster prevention, medical, public information network etc. where higher safety and reliability are especially required or if there is possibility of direct damage or injury to human body, Würth Elektronik must be asked for a written approval.

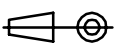

In addition, even electronic component in general electronic equipments, when used in electrical circuits that require high safety, reliability functions or performance, the sufficient reliability evaluation-check for the safety must be performed before by the user before usage.

A

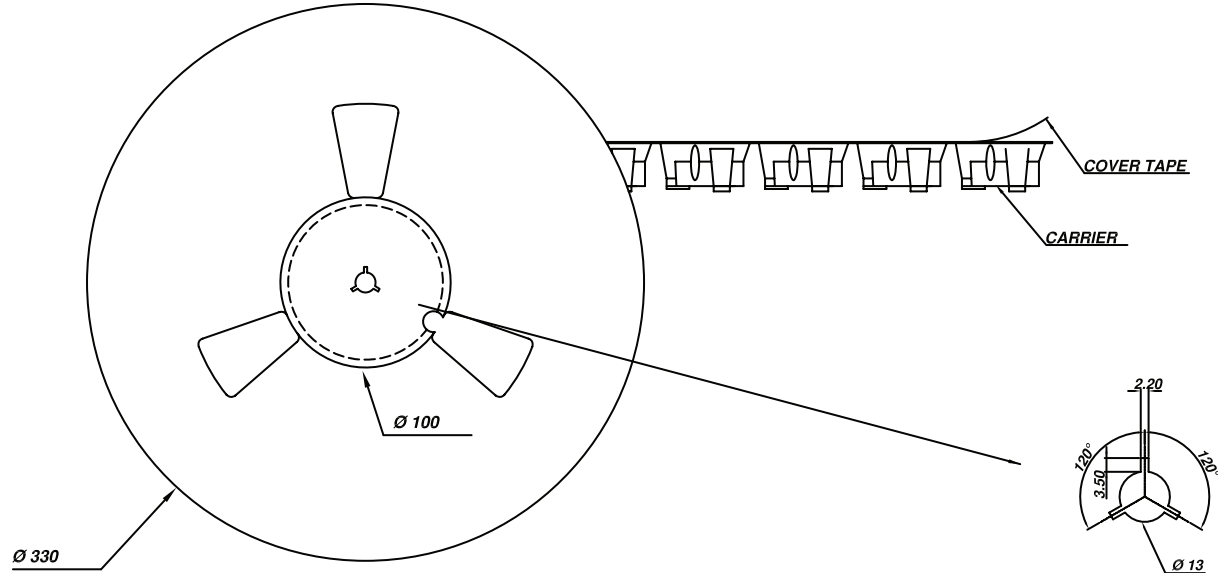
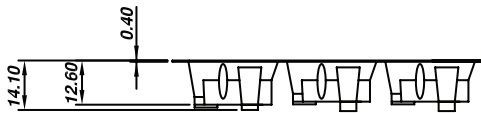
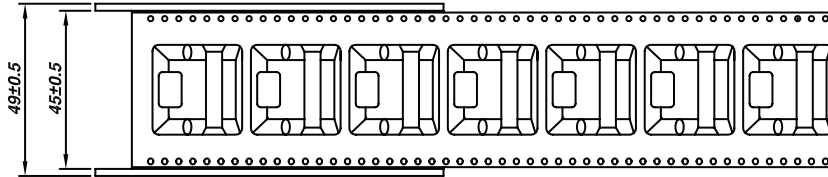
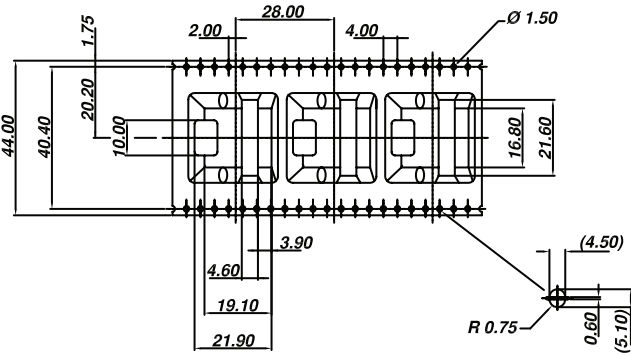
B

C

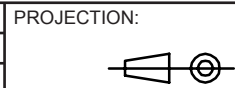
RoHS Compliant

G				PROJECTION: 	GENERAL TOLERANCE .X = +/- 0.2 .XX = +/- 0.15		
F							
E							
D							
C				APPROVAL: JC	UNIT: MM	DESCRIPTION: DISCLAIMER	SIZE A4
B					SCALE:		
A	10-SEP-14	PDF	QL		SHEET: 1/1	WERI PART NO: DISCLAIMER	
REV	DATE	FILE	BY		DRAW: QL		

D



RoHS Compliant			
G			
F			
E			
D			
C			
B			
A	23-JUL-14	PDF	AS
REV	DATE	FILE	BY



GENERAL TOLERANCE
 .X = ± 0.2
 .XX = ± 0.15



APPROVAL: RJ

UNIT: MM
 SCALE:
 SHEET: 1/1
 DRAW: AS

DESCRIPTION: HORIZONTAL PLASTIC LOW PROFILE SMT 10P8C
 TAB DOWN
 WERI PART NO: 634 108 149 921

SIZE
A4

A

B

C

D

1

2

3

4

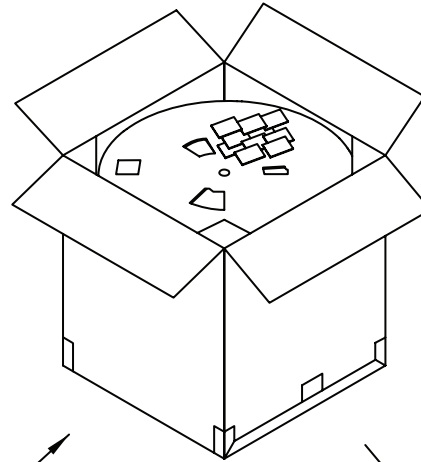
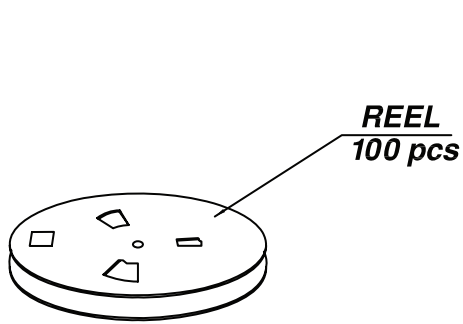
5

A

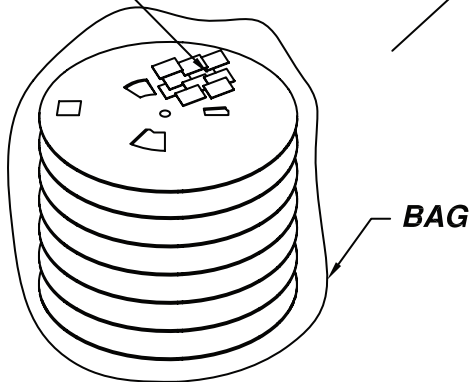
B

C

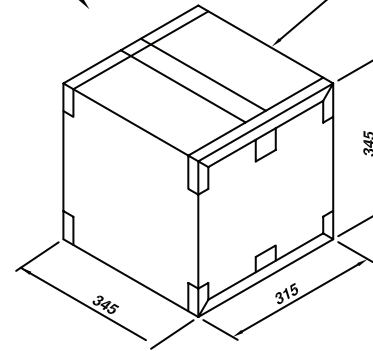
D



20 DESICCATING AGENTS
AT LEAST



CARTON
TOTAL: 600 PCS



RoHS Compliant			
G			
F			
E			
D			
C			
B			
A	28-AUG-14	PDF	AS
REV	DATE	FILE	BY

PROJECTION:



GENERAL TOLERANCE

.X = +/- 0.2

.XX = +/- 0.15



APPROVAL: RJ

UNIT: MM

SCALE:

SHEET: 1/1

DRAW: AS

DESCRIPTION: HORIZONTAL PLASTIC LOW PROFILE SMT 10P8C
TAB DOWN

WERI PART NO: 634 108 149 921

SIZE

A4