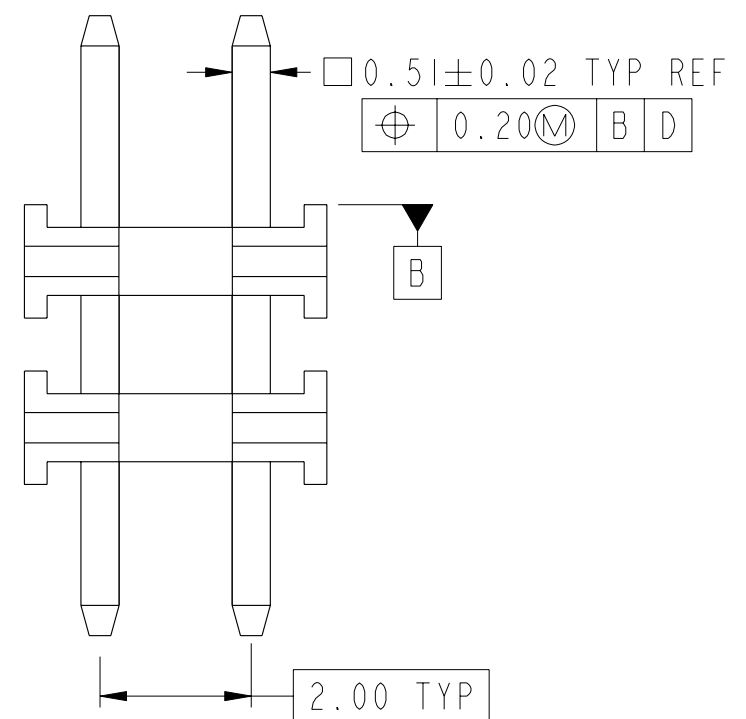
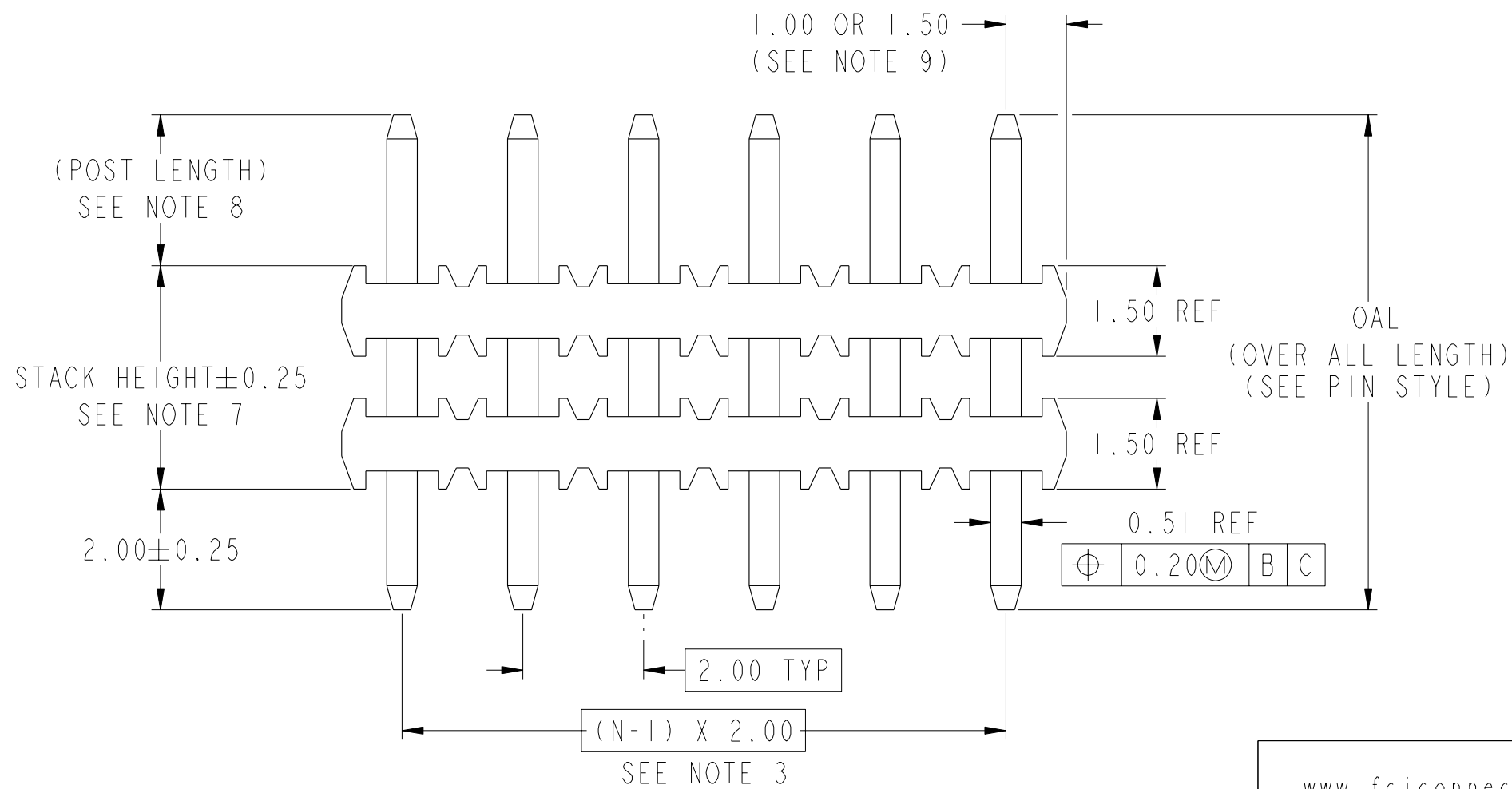
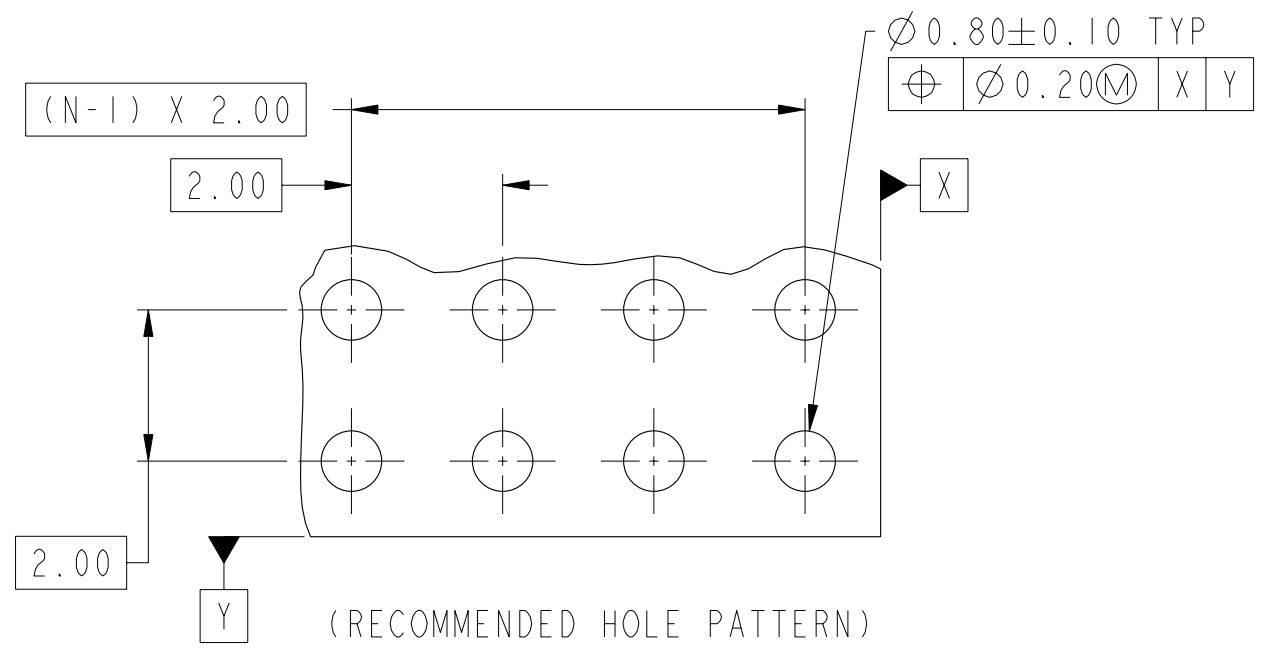
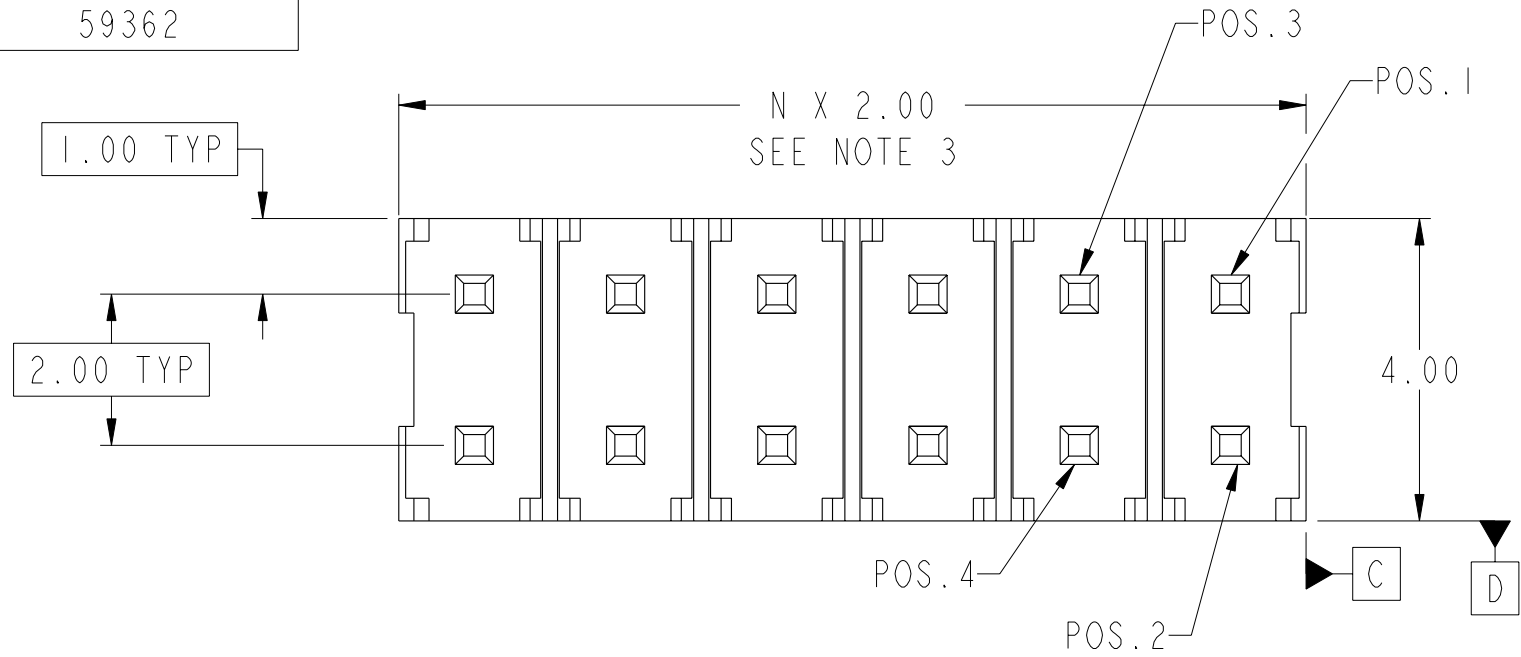


PRODUCT NUMBER  
59362



**CONFIDENTIAL**

|                    |         |            |   |                                   |                       |
|--------------------|---------|------------|---|-----------------------------------|-----------------------|
| www.fciconnect.com |         |            | surface<br>ISO 1302                                       | tolerance std<br>ISO 406 ISO 1101 | projection<br>MM      |
|                    |         |            | TOLERANCES UNLESS OTHERWISE SPECIFIED                     |                                   |                       |
| Dr                 | KH LEE  | 2007-02-09 | ANGULAR   | 0.X ±0.5                          | size A3               |
| Eng                | KH LEE  | 2007-02-09 | LINEAR  | 0.XX ±0.25                        | Scale 10:1            |
| Chr                | KH LEE  | 2009-12-23 | 0° ±3°  | 0.XXX ±0.150                      | ECN S10-0205          |
| Appr               | JOEY NG | 2009-12-23 | Product family  | MINITEK                           | Spec ref -            |
| FCi                |         |            | 2.00mm UNSHROUDED HEADER<br>BOARD TO BOARD (PIN IN PASTE) |                                   | Rev. B                |
| catalog no         |         |            | -   |                                   | Customer sheet 1 of 2 |

| rev | ecn no   | dr    | date       |
|-----|----------|-------|------------|
| A   | S07-0046 | KHL   | 2007-02-09 |
| B   | S10-0205 | N.B.R | 2009-12-23 |
| -   | -        | -     | -          |
| -   | -        | -     | -          |
| -   | -        | -     | -          |
| -   | -        | -     | -          |

Copyright FCI.

PRODUCT NUMBER  
59362

PRODUCT NUMBER DESCRIPTION :  
59362 - X XX XX X XXX X LF

PLATING  
S = 0.38µm GOLD  
ON CONTACT AREA  
0.38µm GOLD  
ON TAIL  
G = 0.76µm GOLD  
ON CONTACT AREA  
0.76µm GOLD  
ON TAIL  
F = 0.20µm GOLD  
ON CONTACT AREA  
0.20µm GOLD  
ON TAIL  
T = 0.76µm GOLD  
ON CONTACT AREA  
2.54µm 100% MATTE TIN  
ON TAIL

LEAD FREE (SEE NOTE 11,12 & 13)  
RETENTION (SEE NOTES 6 & 10)  
STACKER HEIGHT (SEE NOTE 7)  
PACKAGING: - = BAGS  
(SEE NOTE 5) U = TUBES  
P = TUBE WITH PICK-UP CAP  
A = TAPE & REEL WITH PICK-UP CAP  
POSITIONS PER ROW (02 TO 25)

| PIN STYLE | OAL  |
|-----------|------|
| 22        | 08.2 |
| 24        | 09.6 |
| 26        | 10.2 |
| 28        | 11.8 |
| 30        | 13.5 |
| 32        | 14.1 |
| 34        | 15.6 |
| 36        | 17.1 |
| 38        | 19.1 |
| 40        | 21.1 |

NOTES:

- MATERIAL HOUSING: HIGH TEMPERATURE THERMOPLASTIC  
UL 94V-0, COLOR BLACK
- MATERIAL TERMINAL: COPPER ALLOY

- TO DETERMINE DIMENSIONS:  
N=NUMBER OF POSITIONS PER ROW  
EX.: 10 POS., N x 2.00 = 20.00 TOTAL POSITIONS
- 0.9kg MIN. PIN RETENTION IN EITHER DIRECTION.

- PACKAGING;  
(A) STANDARD PACKAGING: IN POLY BAGS.  
(B) SPECIAL PACKAGING: IN TUBE OR TAPE AND REEL.  
FOR TUBE AN OPTIONAL PICK-UP CAP IS PROVIDED AT  
THE CENTER OF THE PRODUCT FOR PICK AND PLACE APPLICATIONS.  
PICK-UP CAP IS STANDARD IN TAPE AND REEL.  
FOR ALL SPECIAL PACKAGING,FCI MUST BE CONTACTED FOR  
AVAILABILITY IN SIZE REQUESTED.

- RETENTION LEG:  
2.3kg MAX INSERTION FORCE AND 1 kg MIN RETENTION FORCE PER  
RETENTIVE PIN USING 1.57mm THICK CIRCUIT BOARD AND RECOMMENDED  
HOLE PATTERN. RETENTIVE LOCATION AT THE  
DISCRETION OF THE MANUFACTURER. RETENTION IS TWO PINS PER  
PART ADJACENT TO ONE ANOTHER.

- STACK HEIGHT IS DETERMINED BY CUSTOMER APPLICATION REQUIREMENTS.  
SPECIFIED IN mm. EXAMPLE: 3.7mm STACK HEIGHT=59362-XXXXXX037XLF.

- POST LENGTH IS DETERMINED BY: (OAL)-(2.50)-(STACK HGT.)=POST  
LENGTH. MINIMUM MATING LENGTH TO BE 2.0mm

- DIM 1.0 APPLIES TO MOLDED SIDE(S) ONLY. IF SIDE(S) ARE BROKEN,  
DIM 1.5 MAX APPLIES.
- OMIT FROM PRODUCT NUMBER IF FEATURE IS NOT APPLICABLE.
- THE HOUSING WILL WITHSTAND EXPOSURE TO 255°C PEAK  
TEMPERATURE FOR 10 SECONDS IN A CONVECTION, INFRA-RED  
OR VAPOR PHASE REFLOW OVEN.
- THE HOUSING WILL WITHSTAND EXPOSURE TO 260°C PEAK  
TEMPERATURE FOR 10 SECONDS IN A WAVE SOLDER  
APPLICATION WITH A 1.57MM MINIMUM THICK CIRCUIT BOARD.
- THIS PRODUCT MEETS EUROPEAN UNION DIRECTIVES AND  
OTHER COUNTRY REGULATIONS AS DESCRIBED IN GS-22-008.
- A  $\triangle$  B SYMBOL WILL BE NEXT TO ANY DIMENSION, VIEW OR NOTE  
WHICH HAS BEEN MODIFIED WITH THE CURRENT DRAWING REVISION.

**CONFIDENTIAL**

|                                       |         |            |  |                                |            |              |
|---------------------------------------|---------|------------|--|--------------------------------|------------|--------------|
| www.fciconnect.com                    |         |            | surface <input checked="" type="checkbox"/> ISO 1302 | tolerance std ISO 406 ISO 1101 | projection | MM           |
| TOLERANCES UNLESS OTHERWISE SPECIFIED |         |            |  |                                |            |              |
| Dr                                    | KH LEE  | 2007-02-09 | ANGULAR  | LINEAR                         | 0.X        | ±0.5         |
| Eng                                   | KH LEE  | 2007-02-09 |  |                                | 0.XX       | ±0.25        |
| Chr                                   | KH LEE  | 2009-12-23 | 0°   | ±3°                            | 0.XXX      | ±0.150       |
| Appr                                  | JOEY NG | 2009-12-23 | Product family                                       |                                | MINITEK    | Spec ref -   |
|                                       |         |            | 2.00mm UNSHROUDED HEADER                             |                                | dwg no     | 59362        |
|                                       |         |            | BOARD TO BOARD (PIN IN PASTE)                        |                                | Rev.       | B            |
|                                       |         |            | catalog no   | -                              | CUSTOMER   | sheet 2 of 2 |



Copyright FCI.