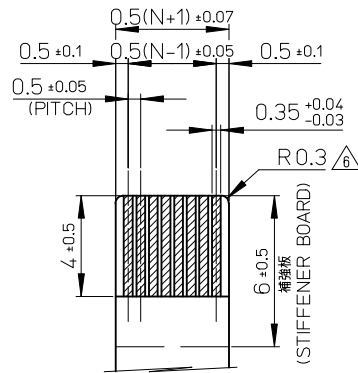


注記NOTES
 1.使用材料 MATERIAL
 ハウジング:ポリアミド(R(PA), ガラス充填, UL94V-0, ナチュラル(白)
 HOUSING:POLYAMIDE, GLASS FILLED, UL94V-0, NATURAL (WHITE)
 アクチュエータ:ポリフェニレンスルフィド (PPS), ガラス充填, UL94V-0, 黒
 ACTUATOR:POLYPHENYLENE SULFIDE, GLASS FILLED, UL94V-0, BLACK
 ターミナル:リン青銅, (t=0.2)
 TERMINAL:PHOSPHOR BRONZE
 金具:リン青銅, (t=0.2)
 FITTING NAIL:PHOSPHOR BRONZE
 2.めっき仕様 PLATING
 ターミナル TERMINAL
 鍍銀ビスマスめっき(1.0μm以上)
 下地:ニッケルめっき(1.0μm以上)
 TIN SILVER BISMUTH PLATING (1.0 MICROMETER MINIMUM)
 UNDER PLATE:NICKEL PLATING (1.0 MICROMETER MINIMUM)
 金具: FITTING NAIL
 鍍めっき(1.0μm以上)
 下地:ニッケルめっき(1.0μm以上)
 TIN PLATING (1.0 MICROMETER MINIMUM)
 UNDER PLATE:NICKEL PLATING (1.0 MICROMETER MINIMUM)
 3.エンボスステップ梱包時は、アクチュエータがロックした状態になります。
 IN THE PACKAGE, ACTUATOR SHOULD BE LOCKED.
 4. 複数極に適用
 APPLY FOR EVEN CIRCUIT.
 5. パッケージ内での使用に制限あり
 FITTING NAIL FOR PREVENTION OF PEELING OF P.W.B. PATTERN.
 6. R0.3は、FPCの隣接部にかからないこと
 R0.3 MUST NOT BE OVERLAPED TO PATTERN OF FPC.
 7. シルダータール方向のズレ量、及び金具半田付け面のずれ量は、基準面(□)に対し上方向0.1 MAX., 下方向0.15 MAX.とする。
 MISALIGNMENT OF SOLDER TAIL S AND FITTING NAILS FROM [□] UPPER DIRECTION 0.1 MAX., LOWER DIRECTION 0.15 MAX.
 8. ELV及びRoHS適合品
 ELV AND RoHS COMPLIANT.

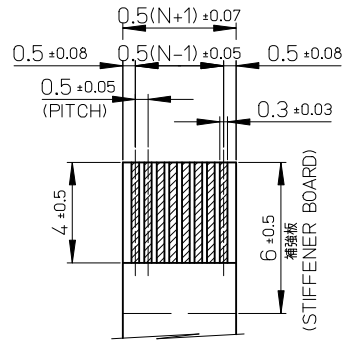
| | | | | | |
|------|------|-------|-----|-----------------------------------|---------|
| 16.1 | 14.3 | 10.65 | 9.5 | 52745-2033 | 20 |
| 15.6 | 13.8 | 10.15 | 9 | 52745-1933 | 19 |
| 15.1 | 13.3 | 9.65 | 8.5 | 52745-1833 | 18 |
| 14.6 | 12.8 | 9.15 | 8 | 52745-1733 | 17 |
| 14.1 | 12.3 | 8.65 | 7.5 | 52745-1633 | 16 |
| 13.6 | 11.8 | 8.15 | 7 | 52745-1533 | 15 |
| 13.1 | 11.3 | 7.65 | 6.5 | 52745-1433 | 14 |
| 12.6 | 10.8 | 7.15 | 6 | 52745-1333 | 13 |
| 12.1 | 10.3 | 6.65 | 5.5 | 52745-1233 | 12 |
| 11.6 | 9.8 | 6.15 | 5 | 52745-1133 | 11 |
| 11.1 | 9.3 | 5.65 | 4.5 | 52745-1033 | 10 |
| 10.6 | 8.8 | 5.15 | 4 | 52745-0933 | 9 |
| 10.1 | 8.3 | 4.65 | 3.5 | 52745-0833 | 8 |
| 9.6 | 7.8 | 4.15 | 3 | 52745-0733 | 7 |
| 9.1 | 7.3 | 3.65 | 2.5 | 52745-0633 | 6 |
| 8.1 | 6.3 | 2.65 | 1.5 | 52745-0433 | 4 |
| D | C | B | (A) | EMBOSSED PACKAGE ORDER No. オーダー番号 | 極数 CKT. |

CONNECTOR SERIES NO. : 52745-**22

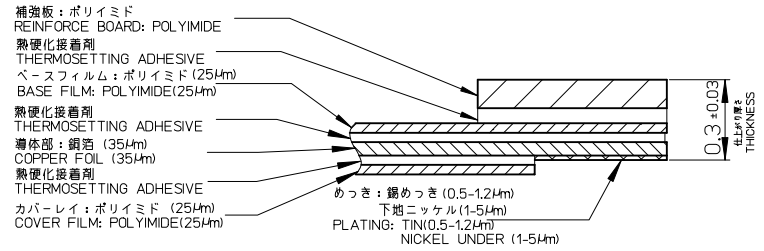
| | | | | | | |
|--|---------------------------------------|--------------|-----------------|---|---|------------------------|
| REVISED EC NO: J2013-1168 DRWN:NASANUMA 2013/04/15 CHKD:KAKAHASHI 2013/04/15 APPR:KMORIKAWA 2013/04/15 | GENERAL TOLERANCES (UNLESS SPECIFIED) | | DIMENSION STYLE | SCALE | DESIGN UNITS | THIRD ANGLE PROJECTION |
| | | | MM ONLY | 10:1 | METRIC | |
| | 10 UNDER | ±0.2 | DRAWN BY | DATE | TITLE | |
| | 10 OVER 30 UNDER | ±0.25 | TMORISHITA | 2012/09/06 | 0.5MM FPC CONN ZIF R/A HOUSING ASSY (UPPER CONTACT) | |
| 30 OVER | ±0.3 | CHECKED BY | DATE | molex | | |
| ANGULAR ±3 ° | | APPROVED BY | DATE | | DOCUMENT NO. | SHEET NO. |
| DRAFT WHERE APPLICABLE MUST REMAIN WITHIN DIMENSIONS | | KTAKAHASHI | 2012/09/07 | SD-52745-055 | 1 OF 2 | |
| | | APPROVED BY | DATE | THIS DRAWING CONTAINS INFORMATION THAT IS PROPRIETARY TO MOLEX INCORPORATED AND SHOULD NOT BE USED WITHOUT WRITTEN PERMISSION | | |
| | | KMORIKAWA | 2013/03/15 | | | |
| | | MATERIAL NO. | | | | |
| | | SIZE | | | | |
| | | A3 | | | | |



適合FPC推奨寸法
APPLICABLE FPC
PLATING RECOMMENDED DIMENSION
仕上がり厚さ: 0.3±0.03
THICKNESS: 0.3+0.03/-0.03



適合FFC推奨寸法
APPLICABLE FFC
PLATING RECOMMENDED DIMENSION
仕上がり厚さ: 0.3±0.03
THICKNESS: 0.3+0.03/-0.03

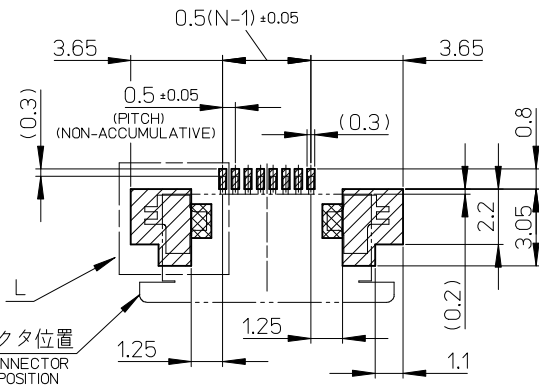
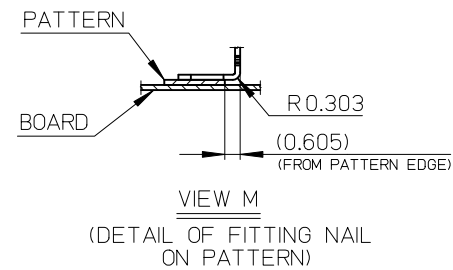
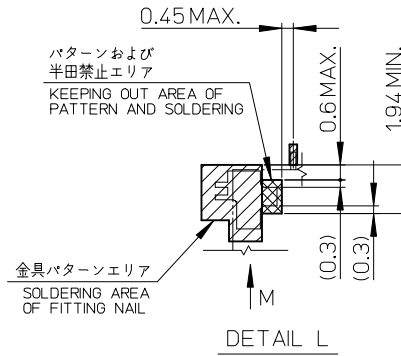


FPC構成推奨仕様
STRUCTURE OF FPC

FPCについて:
抜き方向は、導体側から補強板側を推奨致します。
補強フィルム材質は、ポリイミドを推奨致します。
接着剤は熱硬化接着剤を推奨致します。
尚、接着剤の接点部への付着は導通不良の原因になりますので、
染み出しが無い様お願い致します。

ABOUT FPC:
RECOMMENDED PUNCHER DIRECTION:
FROM CONDUCTOR SIDE TO STIFFENER SIDE
RECOMMENDED MATERIAL: STIFFENER FILM POLYIMIDE
BONDING AGENT: THERMOSETTING AGENT
PLEASE PUT APPROPRIATE AMOUNT OF ADHESIVE ON ADHEREND
BECAUSE THERE IS A POSSIBILITY THAT THE EXTRA ADHESIVE
CAUSES THE DEFECT IN ELECTRICAL CONTINUITY.

FFC/FPCについて:
打抜き方向は導体側から補強板側を推奨致します。
導体部については軟銅箔35μmまたは50μmを推奨致します。
ABOUT FFC/FPC:
RECOMMENDED PUNCHER DIRECTION:
FROM CONDUCTOR SIDE TO STIFFENER FILM SIDE.
RECOMMENDED CONDUCTOR SPECIFICATION:
THICKNESS OF SOFT COPPER FOIL: 35MICROMETER
OR 50 MICROMETER



推奨基板レイアウト
(マウント面)
RECOMMENDED P.C BOARD
PATTERN DIMENSION
(MOUNTING SIDE)
マスク厚: 100 μm
マスク開口率: 100%
SCREEN THICKNESS: 100 μm
SCREEN OPEN TATIO: 100%

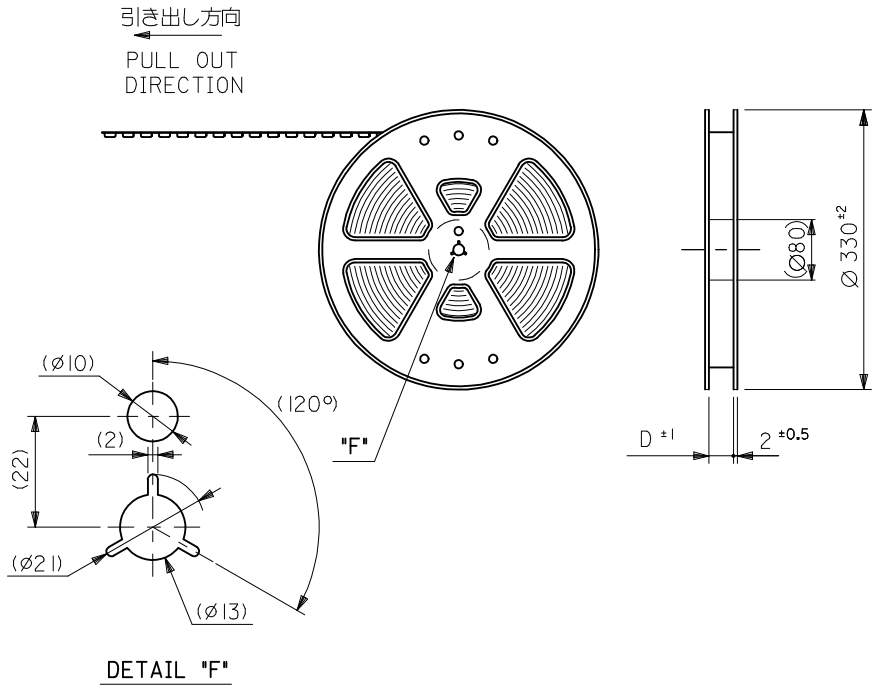
| | | | | | | |
|---|--|----------------------------|--|------------------------------|--|---------------------------|
| REVISED EC NO: J2013-1168 DRWN:KONDO 2013/03/15 CHKD:KAKAHASHI 2013/03/15 APPR:KMORIKAWA 2013/04/25 | GENERAL TOLERANCES (UNLESS SPECIFIED) | | DIMENSION STYLE MM ONLY | SCALE 5:1 | DESIGN UNITS METRIC | THIRD ANGLE PROJECTION |
| | 10 UNDER | ±0.2 | DRAWN BY TMORISHITA | DATE 2012/09/06 | TITLE 0.5MM FPC CONN ZIF R/A HOUSING ASSY (UPPER CONTACT) | |
| | 10 OVER 30 UNDER | ±0.25 | CHECKED BY KTAKAHASHI | DATE 2013/04/15 | | |
| | 30 OVER | ±0.3 | APPROVED BY KMORIKAWA | DATE 2013/03/15 | | |
| ANGULAR | ±3 ° | MATERIAL NO. ENTER PART | | DOCUMENT NO. SD-52745-055 | SHEET NO. 2 OF 2 | |
| DRAFT WHERE APPLICABLE MUST REMAIN WITHIN DIMENSIONS | | SIZE A3 | THIS DRAWING CONTAINS INFORMATION THAT IS PROPRIETARY TO MOLEX INCORPORATED AND SHOULD NOT BE USED WITHOUT WRITTEN PERMISSION | | | |

注記 NOTES

- 製品番号 52745-***22の梱包状態はアクチュエータがロックした状態とする。
詳細寸法については図面SD-52745-055を参照下さい。
IN THE PACKAGE,ACTUATOR OF PART NO.52745-***22 SHOULD BE LOCKED RE DETAILED DIMENSIONS,SEE SD-52745-055
- 梱包数量：1000個/リール
NUMBER OF CONNECTORS:1000PCS/REEL
- リードテープ長さ LEAD TAPE LENGTH

| | |
|----------------------------|-----------------------------|
| トップテープ リーダー部 175 ±25 | トップテープ 未接着部 25 ±5 |
| TOP TAPE LEADER PART | TOP TAPE NON-BONDED PART |

| | | | |
|---------------------------------|---|--------------------------------|--|
| 引き出し方向 PULL OUT DIRECTION | リーダー部 (空部) LEADER PART (EMPTY) 120 ±20 | 部品挿入部 COMPONENT SUPPLIER | 末端部 (空部) TAIL PART (EMPTY) 150 ±40 |
|---------------------------------|---|--------------------------------|--|
- カバーテープの剥離強度については、IEC60286-3に準拠
COVER TAPE PEEL FORCE IS DEFINED BY IEC 60286-3.

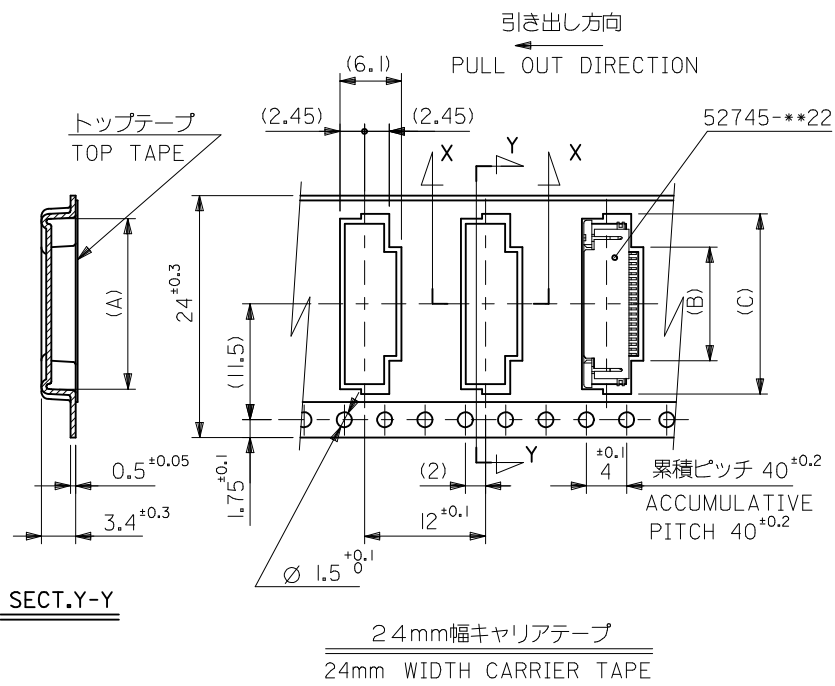


5. 材料
 キャリアテープ：ポリプロピレン (PP)
 トップテープ：PET, PE, PEF
 リール：ポリスチレン (PS) <リサイクル材を含む>

MATERIAL CARRIER TAPE:POLYPROPYLENE
 TOP TAPE:PET,PE,PEF
 REEL:POLYSTYREN(PS)
 <RECYCLE MATERIAL CONTAINED>

6. ELV及RoHS適合品
 ELV AND RoHS COMPLIANT

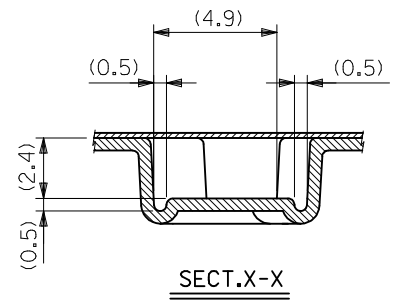
| | | | | | | | | | | |
|--|-----------------------|---------------------------------------|-------|--|--------------------|---|------------------------|------------------------------|--|---------------------|
| RELEASED EC NO.: J2013-1014 DRWN:TMORISHITA 2012/09/05 CHKD:KTAKAHASHI 2012/09/07 APPR:KMORIKAWA 2013/03/15 | DESCRIPTION REV: 0 | GENERAL TOLERANCES (UNLESS SPECIFIED) | | DIMENSION STYLE MM ONLY | | SCALE --- | DESIGN UNITS METRIC | THIRD ANGLE PROJECTION | | |
| | | 10 UNDER | ±0.2 | DRAWN BY TMORISHITA | DATE 2012/09/05 | TITLE EMBOSS TAPE PACKAGED FOR 0.5MM FPC CONN ZIF R/A HOUSING ASSY | | | | |
| | | 10 OVER 30 UNDER | ±0.25 | CHECKED BY KTAKAHASHI | DATE 2012/09/07 | | | | | |
| | | 30 OVER | ±0.3 | APPROVED BY KMORIKAWA | DATE 2013/03/15 | | | | | |
| | | ANGULAR ±3 ° | | DRAFT WHERE APPLICABLE MUST REMAIN WITHIN DIMENSIONS | | MATERIAL NO. SEE CHART | | DOCUMENT NO. SD-52745-056 | | SHEET NO. 1 OF 3 |
| THIS DRAWING CONTAINS INFORMATION THAT IS PROPRIETARY TO MOLEX INCORPORATED AND SHOULD NOT BE USED WITHOUT WRITTEN PERMISSION | | | | | | | | | | |



| | | | | | | |
|------|------|------|------------|------|------------|----|
| 24 | 25.5 | 17.4 | 10.8 | 16.4 | 52745-2033 | 20 |
| | | 16.9 | 10.3 | 15.9 | -1933 | 19 |
| | | 16.4 | 9.8 | 15.4 | -1833 | 18 |
| | | 15.9 | 9.3 | 14.9 | -1733 | 17 |
| | | 15.4 | 8.8 | 14.4 | -1633 | 16 |
| | | 14.9 | 8.3 | 13.9 | -1533 | 15 |
| | | 14.4 | 7.8 | 13.4 | -1433 | 14 |
| | | 13.9 | 7.3 | 12.9 | -1333 | 13 |
| | | 13.4 | 6.8 | 12.4 | -1233 | 12 |
| | | 12.9 | 6.3 | 11.9 | -1133 | 11 |
| | | 12.4 | 5.8 | 11.4 | -1033 | 10 |
| | | 11.9 | 5.3 | 10.9 | -0933 | 9 |
| | | 11.4 | 4.8 | 10.4 | -0833 | 8 |
| | | 10.9 | 4.3 | 9.9 | -0733 | 7 |
| 10.4 | 3.8 | 9.4 | 52745-0633 | 6 | | |

| | | | | | | |
|--------------------------------|---|-----|-----|-----|------------------|---------------|
| キャリアテープ幅 CARRIER TAPE WIDTH | D | (C) | (B) | (A) | EMBOSSED PACKAGE | 極数 CIRCUIT |
| | | | | | ORDER No. オ-ダ-番号 | |

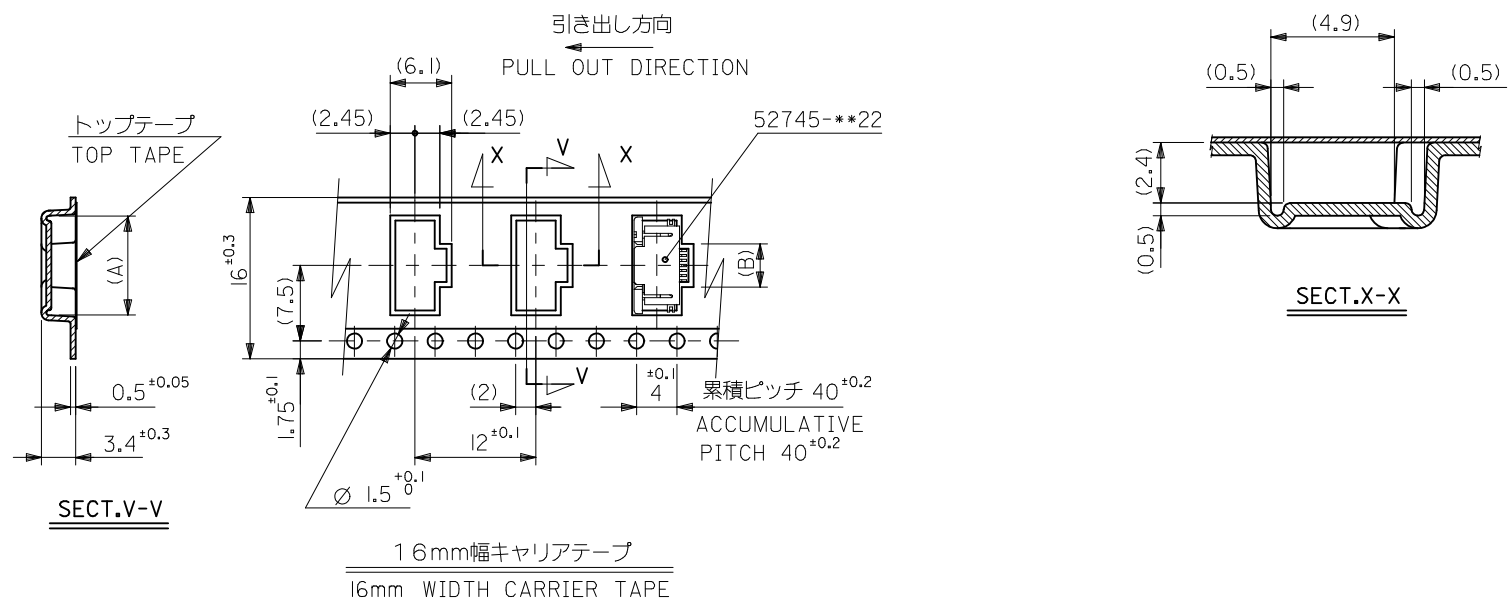
CONNECTOR SERIES NO. : 52745-***22



SECT.X-X

| | | |
|---|---------------------------------------|-------|
| RELEASED EC NO: J2013-1014 DRWN: TMORISHITA 2012/09/05 CHKD: KTAKAHASHI 2012/09/07 APPR: KMORIKAWA 2013/03/15 REV: 0 | GENERAL TOLERANCES (UNLESS SPECIFIED) | |
| | 10 UNDER | ±0.2 |
| | 10 OVER 30 UNDER | ±0.25 |
| | 30 OVER | ±0.3 |
| | ANGULAR | ±3 ° |
| DRAFT WHERE APPLICABLE MUST REMAIN WITHIN DIMENSIONS | | |

| | | | |
|---|--------------------|---|------------------------|
| DIMENSION STYLE MM ONLY | SCALE --- | DESIGN UNITS METRIC | THIRD ANGLE PROJECTION |
| DRAWN BY TMORISHITA | DATE 2012/09/05 | TITLE EMBOSS TAPE PACKAGED FOR 0.5MM FPC CONN ZIF R/A HOUSING ASSY | |
| CHECKED BY KTAKAHASHI | DATE 2012/09/07 | | |
| APPROVED BY KMORIKAWA | DATE 2013/03/15 | | |
| MATERIAL NO. | SEE CHART | DOCUMENT NO. SD-52745-056 | SHEET NO. 2 OF 3 |
| THIS DRAWING CONTAINS INFORMATION THAT IS PROPRIETARY TO MOLEX INCORPORATED AND SHOULD NOT BE USED WITHOUT WRITTEN PERMISSION | | | |



| | | | | | |
|--------------------------------|------|-----|-----|--------------------------------------|---------------|
| 16 | 17.5 | 2.8 | 8.4 | 52745-0433 | 4 |
| キャリアテープ幅 CARRIER TAPE WIDTH | D | (B) | (A) | EMBOSSED PACKAGE ORDER No. オーダー番号 | 極数 CIRCUIT |

| | | | | | | | | | | | |
|---|-----------------------|--|-------|----------------------------|--|--------------------|--|--|--|------------------------|--|
| RELEASED EC NO: J2013-1014 DRWN: TMORISHITA 2012/09/05 CHKD: KTAKAHASHI 2012/09/07 APPR: KMORIKAWA 2013/03/15 | DESCRIPTION REV: 0 | GENERAL TOLERANCES (UNLESS SPECIFIED) | | DIMENSION STYLE MM ONLY | | SCALE --- | | DESIGN UNITS METRIC | | THIRD ANGLE PROJECTION | |
| | | 10 UNDER | ±0.2 | DRAWN BY TMORISHITA | | DATE 2012/09/07 | | TITLE EMBOSS TAPE PACKAGED FOR 0.5MM FPC CONN ZIF R/A HOUSING ASSY molex DOCUMENT NO. SD-52745-056 SHEET NO. 3 OF 3 | | | |
| | | 10 OVER 30 UNDER | ±0.25 | CHECKED BY KTAKAHASHI | | DATE 2012/09/07 | | | | | |
| | | 30 OVER | ±0.3 | APPROVED BY KMORIKAWA | | DATE 2013/03/15 | | | | | |
| ANGULAR ±3 ° | | DRAFT WHERE APPLICABLE MUST REMAIN WITHIN DIMENSIONS | | MATERIAL NO. SEE CHART | | SIZE A3 | | THIS DRAWING CONTAINS INFORMATION THAT IS PROPRIETARY TO MOLEX INCORPORATED AND SHOULD NOT BE USED WITHOUT WRITTEN PERMISSION | | | |